

Well Water & Pressure Booster Expansion Tanks

FXA Series

Wessels FXA series ASME
Replaceable Hydropneumatic
Bladder System with
Smart Tank Add-On for Booster
Expansion Pressure Control

APPLICATIONS

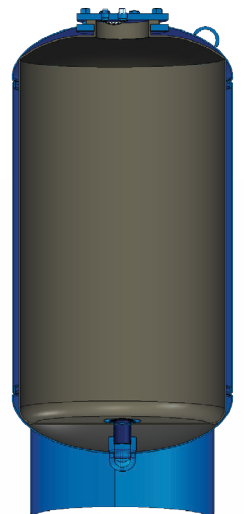
Open-loop
Potable
Pressure Booster
Well Water
Water



Wessels patented FXA Tanks are ASME replaceable bladder type pre-charged hydro-pneumatic tanks for commercial and industrial well and water systems, booster systems, or other non-heated potable water applications. They are designed to deliver water under pressure between pump cycles to provide sufficient flow to meet demands. The water is contained in a butyl bladder. All FXA tanks can be installed vertically or horizontally.

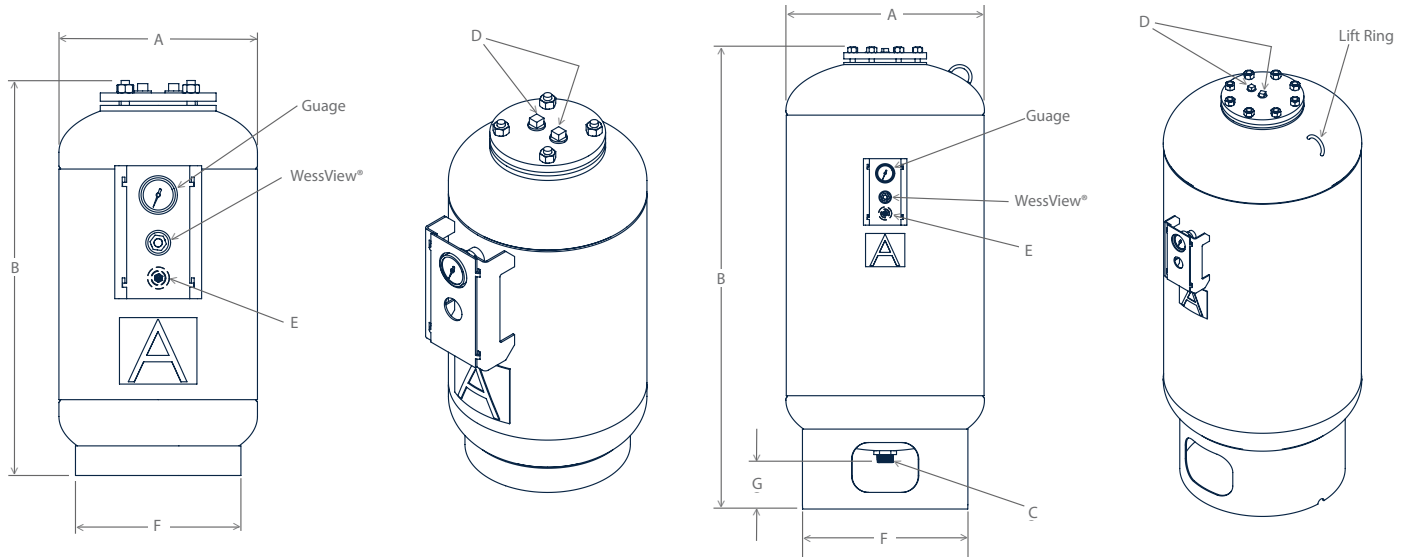
NEXT LEVEL INTELLIGENCE

- Pressure gauge integrated
- WessView® bladder integrity monitor included
- WessGuard® proximity sensor port adaptable
- Easy-access air valve
- Tamper-resistant secure guard mount
- Designed and fabricated in accordance with ASME Boiler & Pressure vessel code
- Products comply with NSF/ANSI Standard 61
- Replaceable heavy-duty butyl bladder (other materials available)
- Standard design pressure is 125 psi (8.6 bar)
- Available in carbon steel, 304 or 316L stainless steel
- Factory pre-charged and field adjustable
- Never waterlogs
- Separation of water and air
- Full flow design compatible
- Higher pressure ratings available
- Wessels Company Patented Design US 8,633,825 B2



SINCE 1908
wessels
company

FXA



FXA-85 thru FXA-800L

MODEL	DIMENSIONS (in.)							MAX WORKING PRESSURE	SHIPPING WEIGHT (lbs)
	A	B	SYSTEM CONNECTION		CHARGING VALVE	F	G		
			C	D	E				
FXA-35	12	23 1/2	-	3/4 NPT	0.302" - 32NC	10	-	125	40
FXA-50	14	24	-	3/4 NPT	0.302" - 32NC	10	-	125	50
FXA-85	16	37	1 NPT	3/4 NPT	0.302" - 32NC	12	5 1/2	125	90
FXA-130	20	37	1 NPT	3/4 NPT	0.302" - 32NC	16	5 1/2	125	125
FXA-200	24	43	1 1/2 NPT	3/4 NPT	0.302" - 32NC	20	5 1/4	125	210
FXA-300	24	55	1 1/2 NPT	3/4 NPT	0.302" - 32NC	20	5 1/4	125	225
FXA-400	30	49	1 1/2 NPT	3/4 NPT	0.302" - 32NC	24	5 1/4	125	300
FXA-500	30	57	2 NPT	3/4 NPT	0.302" - 32NC	24	5 1/4	125	335
FXA-600	30	65	2 NPT	3/4 NPT	0.302" - 32NC	24	5 1/4	125	360
FXA-800L	32	76	2 NPT	3/4 NPT	0.302" - 32NC	28	5 1/4	125	475

Note:

- Tanks are factory pre-charged at 40 psi and field adjustable.
- California code-sight glass is available upon request.
- Both top and bottom connections (C and D) access the bladder.
- Available with mounting clips.

TYPICAL SPECIFICATION

Furnish and install, as shown on plans, a _____ gallon _____" diameter X _____" (high) pre-charged steel hydropneumatic pressure tank with heavy-duty butyl bladder. The tank shall have multiple water-side connections to promote full-flow to eliminate stagnate water within the tank, a 0.302"-32 charging valve connection (standard tire valve) to facilitate the on-site charging of the tank to meet system requirements, a pressure gauge, and WessView® bladder integrity monitor. The tank must contain a port for WessGuard® proximity sensor monitor. The tank must be constructed in accordance with most recent addendum of Section VIII Division 1 of the ASME Boiler and Pressure Vessel Code, and rated for 125 psig.

Each tank shall be Wessels model number FXA-_____ or approved equal.

UPGRADE TO SMART WESSGUARD® TANK PROTECTION

Wessels Type FXA-WG Smart Tanks are ASME removable bladder type pre-charged, hydropneumatic expansion tanks, with patented WessGuard® bladder monitor. They are designed to accept and deliver water under pressure between pump cycles to provide sufficient flow to meet demands while limiting pump cycles.

The system's water is contained in a heavy-duty bladder preventing tank corrosion and waterlogging problems. If the bladder extends beyond the normal movement, WessGuard® monitor will activate an audible LED alarm and energy management system to notify maintenance staff of a potential system issue.



SINCE 1908
wessels
company

101 Tank Street Greenwood, IN 46143
P: 317-888-9800 F: 317-865-7411
www.westank.com