

JOB: _____

REPRESENTATIVE: _____

ENGINEER: _____

CONTRACTOR: _____

PRODUCT DATA

ITEM NO. _____ MODEL NO. _____

MODE _____ MODE SETTING _____

GPM _____ HEAD/FT _____

NSF 61 & 372 CERTIFIED YES NO VOLTAGE _____

APPLICATIONS

DUCTILE IRON MODEL

Closed loop, pressurized Heating and Chilled Water HVAC Systems

STAINLESS STEEL MODEL

Potable water systems (DHW recirculation, pressure boosting)

STANDARDS, PROTECTION & FLANGE TYPE

Insulation Class H

Enclosure: Class 2, IP44

Integrated Motor Protection (electronically protected)

Continuous Duty

UL778, 1004-1, 508C

CAN/CSA22.2 #108, #100, #107.1

EMC (89/366EEC): EN 61000

LDV (73/23/EC): EN 60335-1, EN 60335-2-51

Machine Safety (98/37/EC): EN ISO 12100

Standard 125# ANSI Flanges

Stainless Steel Version: NSF/ANSI 61 & 372 Commercial Hot

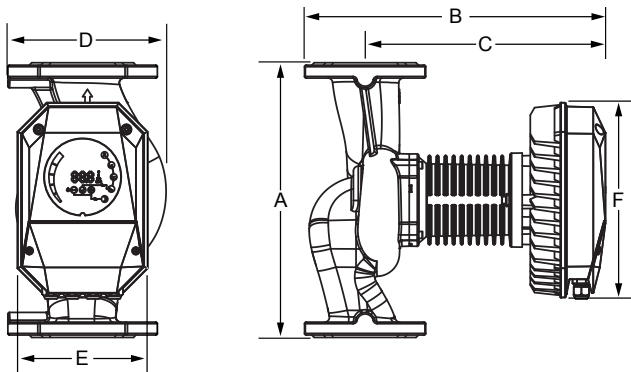


Stainless Steel Model

DIMENSIONS

| FLANGE SIZE | DIMENSIONS | | | | | | WEIGHT LBS. | |
|-------------|------------|------------|------------|-----------|-----------|-----------|-------------|---------|
| | A | B | C | D | E | F | CI | SS |
| 2-1/2" | 13.4 (340) | 16.2 (412) | 12.5 (317) | 8.4 (214) | 7.3 (185) | 9.5 (241) | 41 (19) | 43 (20) |

English dimensions are in inches. Metric dimensions are in millimeters. Metric data is presented in (). Do not use for construction purposes unless certified.



SPECIFICATIONS

| | |
|---------------------------|----------------------------|
| MAX SHUT-OFF HEAD | 39 feet |
| MAX. FLOW | 227 USGPM |
| MAX. OPERATING PRESSURE | 175 PSI (12 bar) |
| WATER TEMPERATURE RANGE | 14 to 230°F (-10 to 110°C) |
| AMBIENT TEMPERATURE RANGE | 32 to 104°F (0 to 40°C) |
| AMBIENT HUMIDITY | Less than 95% RH |

ELECTRICAL SPECIFICATIONS

| | |
|----------------------------|---|
| VOLTAGE (ALL SINGLE PHASE) | 200-240 |
| POWER CONSUMPTION (HP) | 1.1 HP |
| POWER CONSUMPTION (W) | 810 W |
| CURRENT LIMIT | 6 |
| 24 VOLT SUPPLY OUTLET | Max current up to 100mA, Output Voltage +/- 20% of 24 Volts, Output Ripple under 1 Volt |
| RELAY OUTLET | 230 Vac, 3A, AC1 Potential Free Changeover Contact |
| NUMBER OF RELAY OUTPUTS | 2 |
| ANALOG INPUTS | Max Input Voltage 32Vdc, 2 Inputs, 1 output |
| ETHERNET | RJ-45 Connector, Http server and FTP Client server |

MATERIALS OF CONSTRUCTION

| CASING | | IMPELLER | SHAFT | BEARINGS |
|--------------------------------|---------------------|-----------|----------|-------------------|
| HVAC MODEL | DHW MODEL | | | |
| Cast Iron, Cataphoresis Coated | 304 Stainless Steel | PES GF-30 | ANSI 420 | Carbon SleeveType |

MINIMUM STATIC INLET PRESSURE

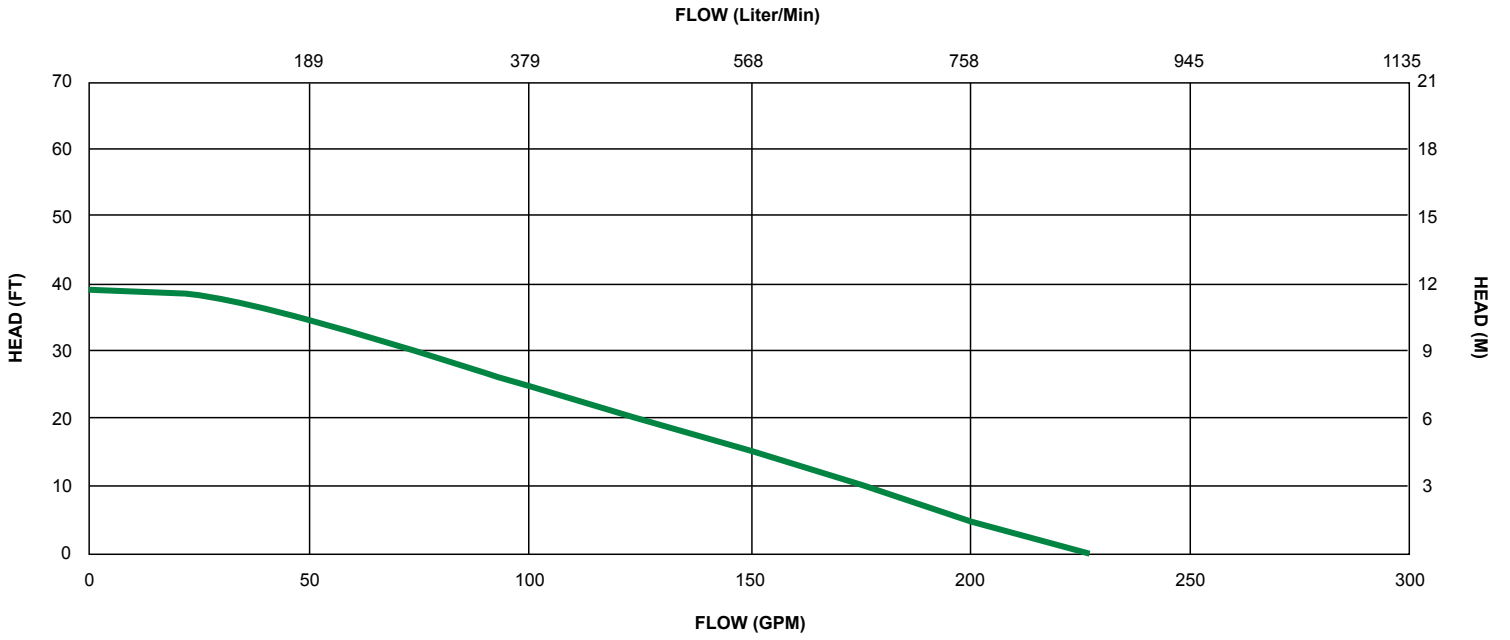
at pump suction port (PSIA / bar) to avoid cavitation at fluid temperatures

| FLUID TEMPERATURES | PSIA / bar |
|--------------------|------------|
| 112°F (50°C) | 4.36 / 0.3 |
| 176°F (80°C) | 14.5 / 1.0 |
| 230°F (110°C) | 23.2 / 1.6 |

OPERATING MODES

- activeADAPT®
- Proportional Pressure
- Constant Pressure
- Constant Speed
- Setback
- BACnet
- ModBus
- 0-10Vdc
- PWM
- Twin Pump Mode

PERFORMANCE CURVE - VR25M



COMMENTS