

Enhanced Surface U Tube Heat Exchangers

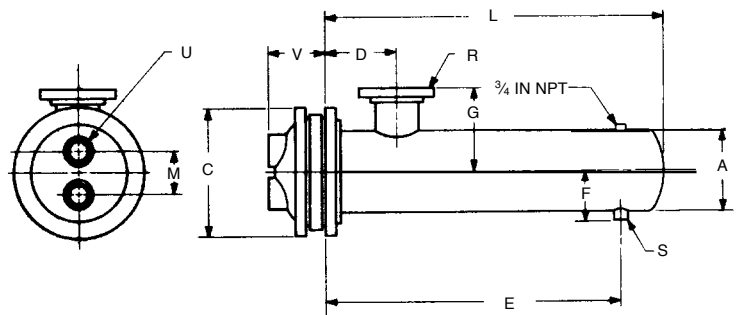
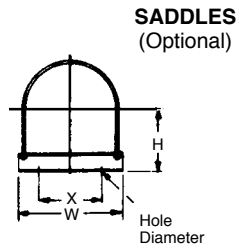
6" DIAMETER STEAM

SUPERSEDES: March 15, 2000

EFFECTIVE: August 1, 2006

Job: _____

Item No.	Model No.	Pass	GPM Tubes	Temp. In	Temp. Out	Steam Pressure Shell	Pressure Drop Tubes	Velocity Tubes



DIMENSIONS: 6 Inch Diameter



Model Number	Cast Iron Heads		Dimensions (inches)									Heating Surface (sq. ft.)	Shipping Weight (lbs)
	M	U	A	C	D	E	F	G	L	R	S		
E6204S	4	2T	6 ⁵ / ₈	11	5	18 ¹ / ₂	4 ⁷ / ₈	4 ⁷ / ₈	25	1 ¹ / ₂ T	1T	9.1	120
E6206S	4	2T	6 ⁵ / ₈	11	5	30 ¹ / ₂	4 ⁷ / ₈	4 ⁷ / ₈	37	2T	1T	14.2	148
E6208S	4	2T	6 ⁵ / ₈	11	5	42 ¹ / ₂	4 ⁷ / ₈	5 ³ / ₄	49	2 ¹ / ₂ T	1T	19.3	182
E6210S	4	2T	6 ⁵ / ₈	11	5	54 ¹ / ₂	4 ⁷ / ₈	5 ³ / ₄	61	2 ¹ / ₂ T	1T	24.4	207
E6212S	4	2T	6 ⁵ / ₈	11	5	66 ¹ / ₂	4 ⁷ / ₈	5 ⁹ / ₁₆	73	3T	1T	29.5	235
E6214S	4	2T	6 ⁵ / ₈	11	5	78 ¹ / ₂	4 ⁷ / ₈	5 ⁹ / ₁₆	85	3T	1T	34.6	262
E6216S	4	2T	6 ⁵ / ₈	11	5	90 ¹ / ₂	4 ⁷ / ₈	5 ⁹ / ₁₆	97	3T	1T	39.7	290
E6218S	4	2T	6 ⁵ / ₈	11	5	102 ¹ / ₂	4 ⁷ / ₈	5 ⁹ / ₁₆	109	3T	1T	44.8	318
E6220S	4	2T	6 ⁵ / ₈	11	5	114 ¹ / ₂	4 ⁷ / ₈	5 ⁹ / ₁₆	121	3T	1T	49.9	346

SADDLE DIMENSIONS: H-6⁵/₁₆; W-9¹/₄; X-7¹/₂; Hole Dia.-⁵/₁₆.

MATERIALS OF CONSTRUCTION (Unless otherwise indicated, standard will be furnished.)

	Standard	Optional
Shell	Steel	304ss, 316ss
Head	Cast Iron 4-10"	Fabricated Steel, Cast Bronze, Fabricated 304ss/316ss
	Fabricated Steel 12-30"	Cast Bronze, Fabricated 304ss/316ss
Tubes	3/4 x 20 BWG Copper	3/4 x 18 BWG Copper, Steel, 304ss, 316ss, 90/10 Cu Ni, Admiralty
Tube Sheet	Steel	Bronze, Brass, 304ss, 316ss, 90/10 Cu Ni
Separators	Steel	Bronze, Brass, 304ss, 316ss, 90/10 Cu Ni
Working Pressure	150 PSIG (ASME)	Consult Factory
Max. Temperature	375°F	Consult Factory

All dimensions shown are subject to change and should not be used for pre-piping. Contact your local Taco representative should certified dimensional drawings be required.

