

## Enhanced Surface U Tube Heat Exchangers

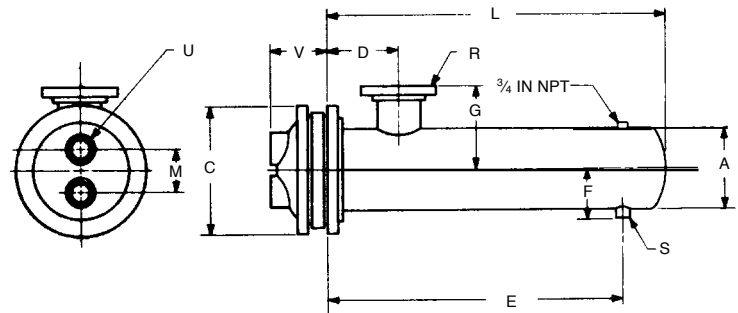
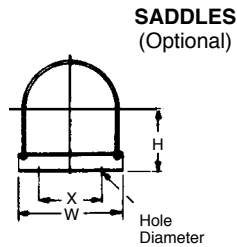
10" DIAMETER STEAM

SUPERSEDES: March 15, 2000

EFFECTIVE: August 1, 2006

Job: \_\_\_\_\_

Item No.	Model No.	Pass	GPM Tubes	Temp. In	Temp. Out	Steam Pressure Shell	Pressure Drop Tubes	Velocity Tubes



DIMENSIONS: 10 Inch Diameter



Model Number	Cast Iron Heads		Dimensions (inches)									Heating Surface (sq. ft.)	Shipping Weight (lbs)
	M	U	A	C	D	E	F	G	L	R	S		
E10204S	6 <sup>1</sup> / <sub>4</sub>	3T	10 <sup>3</sup> / <sub>4</sub>	16	8	17	7 <sup>1</sup> / <sub>8</sub>	7 <sup>15</sup> / <sub>16</sub>	24	3T	1T	25.1	300
E10206S	6 <sup>1</sup> / <sub>4</sub>	3T	10 <sup>3</sup> / <sub>4</sub>	16	8	29	7 <sup>1</sup> / <sub>8</sub>	10	36	4F	1T	40.1	353
E10208S	6 <sup>1</sup> / <sub>4</sub>	3T	10 <sup>3</sup> / <sub>4</sub>	16	8	41	7 <sup>1</sup> / <sub>8</sub>	10	48	4F	1 <sup>1</sup> / <sub>4</sub> T	55.0	415
E10210S	6 <sup>1</sup> / <sub>4</sub>	3T	10 <sup>3</sup> / <sub>4</sub>	16	8	53	7 <sup>1</sup> / <sub>8</sub>	10	60	6F	1 <sup>1</sup> / <sub>4</sub> T	69.9	476
E10212S	6 <sup>1</sup> / <sub>4</sub>	3T	10 <sup>3</sup> / <sub>4</sub>	16	8	65	7 <sup>1</sup> / <sub>8</sub>	10	72	6F	1 <sup>1</sup> / <sub>2</sub> T	84.8	537
E10214S	6 <sup>1</sup> / <sub>4</sub>	3T	10 <sup>3</sup> / <sub>4</sub>	16	8	77	7 <sup>1</sup> / <sub>8</sub>	10	84	6F	1 <sup>1</sup> / <sub>2</sub> T	99.8	598
E10216S	6 <sup>1</sup> / <sub>4</sub>	3T	10 <sup>3</sup> / <sub>4</sub>	16	8	88 <sup>1</sup> / <sub>2</sub>	7 <sup>1</sup> / <sub>8</sub>	10	96	6F	2T	114.7	660
E10218S	6 <sup>1</sup> / <sub>4</sub>	3T	10 <sup>3</sup> / <sub>4</sub>	16	8	100 <sup>1</sup> / <sub>2</sub>	7 <sup>1</sup> / <sub>8</sub>	10	108	6F	2T	129.6	721
E10220S	6 <sup>1</sup> / <sub>4</sub>	3T	10 <sup>3</sup> / <sub>4</sub>	16	8	112 <sup>1</sup> / <sub>2</sub>	7 <sup>1</sup> / <sub>8</sub>	10	120	6F	2T	144.5	782

SADDLE DIMENSIONS: H-8<sup>3</sup>/<sub>8</sub>; W-13<sup>5</sup>/<sub>8</sub>; X-10; Hole Dia. -<sup>3</sup>/<sub>4</sub>

MATERIALS OF CONSTRUCTION (Unless otherwise indicated, standard will be furnished.)

	Standard	Optional
Shell	Steel	304ss, 316ss
Head	Cast Iron 4-10"	Fabricated Steel, Cast Bronze, Fabricated 304ss/316ss
	Fabricated Steel 12-30"	Cast Bronze, Fabricated 304ss/316ss
Tubes	3/4 x 20 BWG Copper	3/4 x 18 BWG Copper, Steel, 304ss, 316ss, 90/10 Cu Ni, Admiralty
Tube Sheet	Steel	Bronze, Brass, 304ss, 316ss, 90/10 Cu Ni
Separators	Steel	Bronze, Brass, 304ss, 316ss, 90/10 Cu Ni
Working Pressure	150 PSIG (ASME)	Consult Factory
Max. Temperature	375°F	Consult Factory

All dimensions shown are subject to change and should not be used for pre-piping. Contact your local Taco representative should certified dimensional drawings be required.

