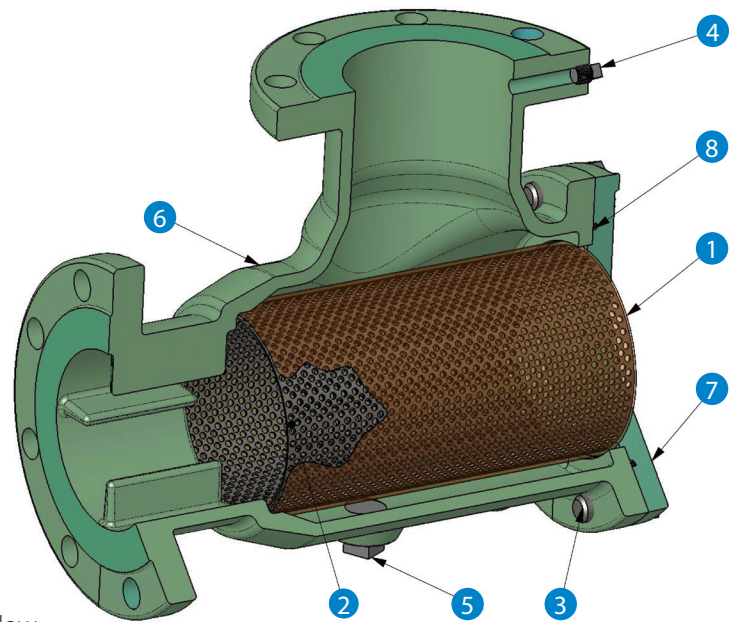


Suction Diffuser Rear Strainer Pullout (RSP)



Features & Benefits

- 1 Disposable Start Up Strainer
- 2 Permanent Stainless Steel Strainer
- 3 Bolts for Removable Service Cover
- 4 Metering Port
- 5 Blow Down Port
- 6 Ductile Iron Diffuser Body
- 7 Removable Service Cover
- 8 Reusable "O" Ring



Features & Benefits

- Integral Cast Straightening Vanes ensure uniform flow to the suction inlet of the pump
- Oversized Body Cylinder ensures minimal pressure drop
- Metering Port allows for the monitoring of system conditions
- Disposable Fine Mesh Start-Up Strainer promotes cleaner more trouble free system
- Removable Cover Plate and reusable "O" Ring allows for easy access and maintenance of Permanent Strainer
- Blow Down port allows for routine maintenance and removal of sediment and debris
- Ductile Iron Body on all units
- Optional Magnetic Insert to trap small metallic particles
- Available in *125 psi or 250 psi working pressures, with either Flanged by Flanged or Grooved by Flanged connections

Materials of Construction

Body: Ductile Iron

Cover: Ductile Iron

Straightening Vanes: Integral - Ductile Iron

Permanent Strainer: Stainless Steel (304)

Disposable Start Up Strainer: Bronze (16 Mesh)

Cover "O" Ring: EPDM

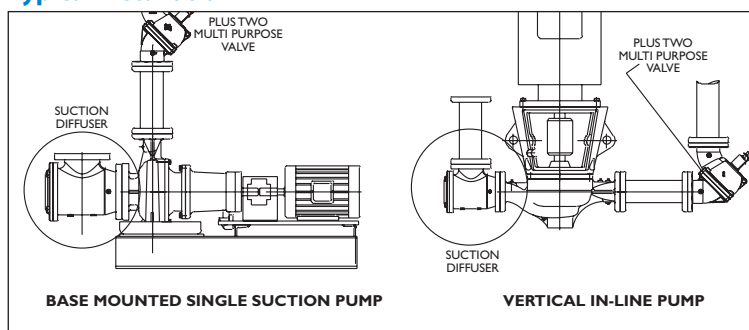
Design

The Taco Suction Diffuser incorporates numerous features into one device that simplifies installations and reduces installation costs. It is a flow straightening device that provides maximum flow efficiency at the suction inlet of the pump while at the same time reducing space and fitting requirements and eliminating the need for an equivalent length of ten pipe diameters of straight run on the suction side of the pump. It is an elbow (and in some cases a reducing elbow) with a built in strainer that is easily maintained and will provide years of trouble free system performance.

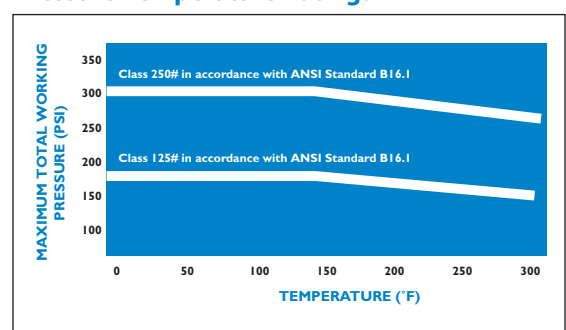
The Taco Suction Diffuser is available in a wide variety of sizes and in *125 psi or 250 psi working pressures with either flanged by flanged or grooved by flanged connections.

* See Pressure-Temperature Chart.

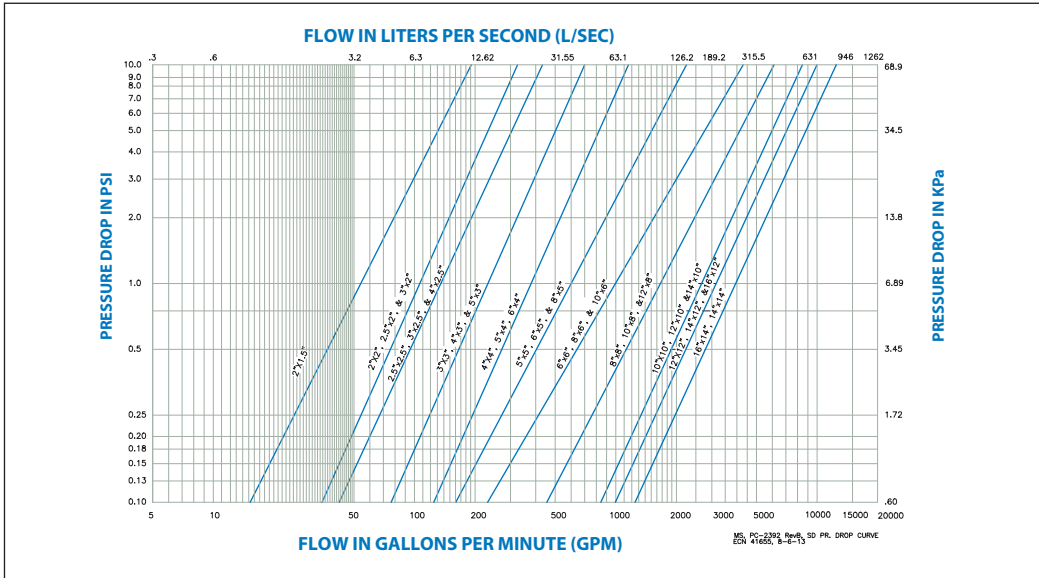
Typical Installation



Pressure-Temperature Ratings

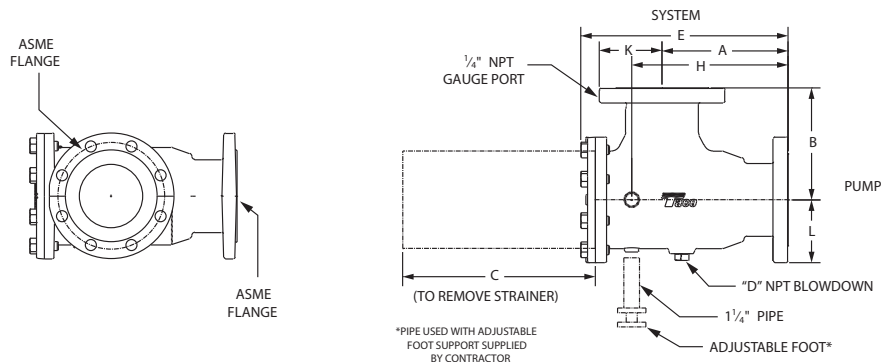


Performance Curves and Submittal Data



Flanged – Suction Diffuser Rear Strainer Pullout (RSP)

Model Number	System	Pump	C _v	Free Area (sq. in.)	A (Class 125#)	A (Class 250#)	B	C	D	E	H	K (125#)	K (250#)	L (125#)	L (250#)	Weight (125#)	Weight (250#)
SD020015-5	2 Flanged	1 1/2 Flanged	54	21	5.69 (145)	6.06 (154)	5.39 (137)	8.49 (216)	3/4	9.25 (235)	6.92 (176)	3.00 (076)	3.25 (083)	2.50 (064)	3.06 (078)	22 (010)	27 (012)
SD020020-5	2 Flanged	2 Flanged	106	21	5.44 (138)	5.69 (145)	5.39 (137)	8.24 (209)	3/4	9.00 (229)	6.67 (169)	3.00 (076)	3.25 (083)	3.00 (076)	3.25 (083)	24 (011)	28 (013)
SD025020-5	2 1/2 Flanged	2 1/2 Flanged							3/4	9.83 (250)	7.41 (188)	3.50 (089)	3.75 (095)	3.00 (076)	3.25 (083)	29 (013)	39 (018)
SD030020-5	3 Flanged	2 Flanged	135	24	6.06 (154)	6.56 (167)	6.01 (153)	8.97 (228)	3/4	9.83 (250)	7.41 (188)	3.50 (089)	3.75 (095)	3.00 (076)	3.25 (083)	29 (013)	39 (018)
SD030025-5	3 Flanged	2 1/2 Flanged							1	10.35 (263)	7.59 (193)	3.75 (095)	4.12 (105)	3.50 (089)	3.75 (095)	38 (017)	54 (025)
SD040025-5	4 Flanged	2 1/2 Flanged	220	35	6.07 (154)	6.07 (154)	8.45 (215)	10.47 (266)	3/4	10.35 (263)	7.59 (193)	4.43 (113)	4.93 (125)	3.50 (089)	3.75 (095)	43 (020)	54 (024)
SD030030-5	3 Flanged	3 Flanged							1	11.41 (290)	8.32 (211)	3.75 (095)	4.12 (105)	3.75 (095)	4.12 (105)	50 (023)	66 (030)
SD040030-5	4 Flanged	3 Flanged	380	64	6.86 (174)	7.62 (194)	6.56 (167)	10.47 (266)	1	12.18 (309)	8.51 (216)	4.50 (114)	5.00 (127)	3.75 (095)	4.12 (105)	55 (025)	72 (033)
SD050030-5	5 Flanged	3 Flanged							1	12.18 (309)	8.51 (216)	4.93 (125)	5.43 (138)	3.75 (095)	4.13 (105)	54 (024)	69 (031)
SD040040-5	4 Flanged	4 Flanged	669	100	7.94 (202)	8.93 (227)	8.45 (215)	12.86 (327)	1	13.96 (355)	10.29 (261)	4.50 (114)	5.00 (127)	4.50 (114)	5.00 (127)	73 (033)	91 (041)
SD050040-5	5 Flanged	4 Flanged							1	13.96 (355)	10.29 (261)	5.00 (127)	5.50 (140)	4.50 (114)	5.00 (127)	75 (034)	97 (044)
SD060040-5	6 Flanged	4 Flanged	1069	146	8.94 (227)	10.06 (256)	8.94 (227)	15.36 (390)	1	16.54 (420)	12.67 (322)	5.50 (140)	6.25 (159)	4.50 (114)	5.00 (127)	79 (036)	109 (049)
SD050050-5	5 Flanged	5 Flanged							1	16.54 (420)	12.67 (322)	5.00 (127)	5.50 (140)	5.00 (127)	5.50 (140)	90 (041)	116 (053)
SD060050-5	6 Flanged	5 Flanged	1859	248	10.06 (256)	10.06 (256)	13.21 (336)	15.36 (390)	1	16.54 (420)	12.67 (322)	5.50 (140)	6.25 (159)	5.00 (127)	5.50 (140)	96 (044)	127 (058)
SD080050-5	8 Flanged	5 Flanged							1	16.54 (420)	12.67 (322)	6.68 (170)	7.43 (189)	5.00 (127)	5.50 (140)	126 (057)	162 (073)
SD060060-5	6 Flanged	6 Flanged	2759	394	11.58 (294)	12.08 (307)	11.17 (284)	19.02 (483)	1	20.39 (518)	16.17 (411)	5.50 (140)	6.25 (159)	5.50 (140)	6.25 (159)	151 (069)	193 (088)
SD080060-5	8 Flanged	6 Flanged							1	20.39 (518)	16.17 (411)	6.75 (171)	7.50 (191)	5.50 (140)	6.25 (159)	170 (077)	215 (098)
SD100060-5	10 Flanged	6 Flanged	5599	812	14.43 (367)	15.31 (389)	13.21 (336)	23.79 (604)	1	25.32 (643)	20.22 (514)	8.00 (203)	8.75 (222)	5.50 (140)	6.25 (159)	182 (083)	238 (108)
SD080080-5	8 Flanged	8 Flanged							1	25.32 (643)	20.22 (514)	6.75 (171)	7.50 (191)	6.75 (171)	7.50 (191)	271 (123)	319 (145)
SD100080-5	10 Flanged	8 Flanged	11199	1574	18.36 (466)	19.61 (498)	14.54 (369)	29.40 (747)	1	31.10 (790)	25.64 (651)	8.00 (203)	8.75 (222)	5.50 (140)	6.25 (159)	284 (129)	351 (159)
SD120080-5	12 Flanged	8 Flanged							1	31.10 (790)	25.64 (651)	9.50 (241)	10.25 (260)	6.75 (171)	7.50 (191)	305 (138)	388 (176)
SD100100-5	10 Flanged	10 Flanged	22399	3162	20.39 (518)	22.64 (575)	16.62 (422)	33.72 (856)	1	35.50 (902)	29.83 (758)	8.00 (203)	8.75 (222)	8.00 (203)	8.75 (222)	400 (182)	482 (219)
SD120100-5	12 Flanged	10 Flanged							1	35.50 (902)	29.83 (758)	9.50 (241)	10.25 (260)	8.00 (203)	8.75 (222)	420 (191)	518 (235)
SD140100-5	14 Flanged	10 Flanged	44799	6324	22.31 (567)	22.31 (567)	19.26 (489)	34.00 (864)	1	37.66 (957)	31.61 (803)	11.50 (292)	11.50 (292)	9.50 (241)	10.25 (260)	617 (280)	786 (357)
SD120120-5	12 Flanged	12 Flanged							1	37.66 (957)	31.61 (803)	11.75 (298)	12.75 (324)	9.50 (241)	10.25 (260)	651 (296)	802 (364)
SD140140-5	14 Flanged	14 Flanged	89599	12636	22.31 (567)	22.31 (567)	19.26 (489)	34.00 (864)	1	37.66 (957)	31.61 (803)	10.50 (267)	11.50 (292)	10.50 (267)	11.50 (292)	895 (406)	1049 (476)
SD160120-5	16 Flanged	12 Flanged							1	37.66 (957)	31.61 (803)	11.75 (298)	12.75 (324)	10.50 (267)	11.50 (292)	934 (424)	1106 (502)



Grooved – Suction Diffuser Rear Strainer Pullout (RSP)

Model Number	System	Pump	C _v	Free Area (sq. in.)	A (Class 125#)	A (Class 250#)	B	C	D	E	H	K	L (125#)	L (250#)	Weight (125#)	Weight (250#)
SDG020015-5	2 Grooved	1½ Flanged	54	21	5.69 (145)	6.06 (154)	5.39 (137)	8.49 (216)	¾	9.25 (235)	6.92 (176)	1.20 (030)	2.50 (064)	3.06 (078)	17 (008)	19 (009)
SDG020020-5	2 Grooved	2 Flanged	106	21	5.44 (138)	5.69 (145)	5.39 (137)	8.24 (209)	¾	9.00 (229)	6.67 (169)	1.20 (030)	3.00 (076)	3.25 (083)	19 (009)	21 (010)
SDG025020-5	2½ Grooved	2 Flanged							¾							
SDG030020-5	3 Grooved	2 Flanged							¾							
SDG025025-5	2½ Grooved	2½ Flanged	135	24	6.06 (154)	6.56 (167)	6.01 (153)	8.97 (228)	¾	9.83 (250)	7.41 (188)	1.55 (039)	3.50 (089)	3.75 (095)	29 (013)	35 (016)
SDG030025-5	3 Grooved	2½ Flanged							1							
SDG040025-5	4 Grooved	2½ Grooved							¾							
SDG030030-5	3 Grooved	3 Flanged	220	35	7.62 (194)	6.56 (167)	10.47 (266)	1	1	11.41 (290)	8.32 (211)	1.85 (047)	3.75 (095)	4.12 (105)	41 (019)	49 (022)
SDG040030-5	4 Grooved	3 Flanged							1							
SDG050030-5	5 Grooved	3 Grooved							1							
SDG040040-5	4 Grooved	4 Flanged	380	64	7.94 (202)	8.93 (227)	8.45 (215)	12.86 (327)	1	13.96 (355)	10.29 (261)	2.32 (059)	4.50 (114)	5.00 (127)	61 (028)	70 (032)
SDG050040-5	5 Grooved	4 Flanged							1							
SDG060040-5	6 Grooved	4 Flanged							1							
SDG050050-5	5 Grooved	5 Flanged	669	100	10.06 (256)	10.06 (256)	8.94 (227)	15.36 (390)	1	16.54 (420)	12.48 (317)	2.90 (074)	5.00 (127)	5.50 (140)	76 (035)	89 (040)
SDG060050-5	6 Grooved	5 Flanged							1							
SDG080050-5	8 Grooved	5 Grooved							1							
SDG060060-5	6 Grooved	6 Flanged	985	146	11.58 (294)	12.08 (307)	11.17 (284)	19.02 (483)	1	20.39 (518)	16.17 (411)	3.41 (087)	5.50 (140)	6.25 (159)	134 (061)	152 (069)
SDG080060-5	8 Grooved	6 Flanged							1							
SDG100060-5	10 Grooved	6 Flanged							1							
SDG080080-5	8 Grooved	8 Flanged	1657	248	14.43 (367)	15.31 (389)	13.21 (336)	23.79 (604)	1	25.32 (643)	20.22 (514)	4.50 (114)	6.75 (171)	7.50 (191)	244 (111)	270 (123)
SDG100080-5	10 Grooved	8 Flanged							1							
SDG120080-5	12 Grooved	8 Flanged							1							
SDG100100-5	10 Grooved	10 Flanged	2650	394	18.36 (466)	19.61 (498)	14.54 (369)	29.40 (747)	1	31.10 (790)	25.64 (651)	5.50 (140)	8.00 (203)	8.75 (222)	362 (164)	403 (183)
SDG120100-5	12 Grooved	10 Flanged							1							
SDG140100-5	14 Grooved	10 Flanged							1							
SDG120120-5	12 Grooved	12 Flanged	3000	570	20.39 (518)	22.64 (575)	16.62 (422)	33.72 (856)	1	35.50 (902)	29.83 (758)	6.50 (165)	9.50 (241)	10.25 (260)	534 (242)	591 (268)
SDG140120-5	14 Grooved	12 Flanged							1							
SDG160120-5	16 Grooved	12 Flanged							1							
SDG140140-5	14 Grooved	14 Flanged	3940	628	22.31 (567)	22.31 (567)	19.26 (489)	34.00 (864)	1	37.66 (957)	31.61 (803)	7.32 (186)	10.50 (267)	11.50 (292)	829 (376)	904 (410)
SDG160140-5	16 Grooved	14 Flanged							1							

