



Submittal Data Information

U Tube Heat Exchangers

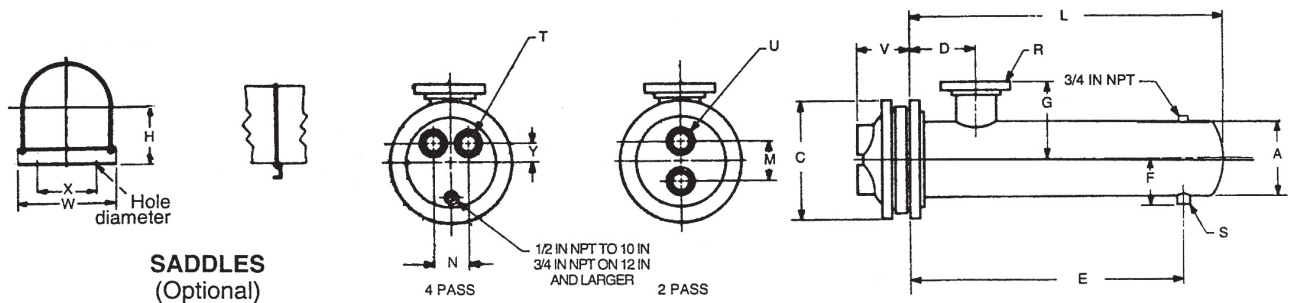
201-009

8" DIAMETER STEAM

EFFECTIVE: APRIL 15, 1995

Job: _____

Item No.	Model No.	Pass	GPM Tubes	Temp. In	Temp. Out	Steam Pressure Shell	Pressure Drop Tubes	Velocity Tubes



DIMENSIONS

8 Inch Diameter

Model Number		Cast Iron Heads				Dimensions (inches)										Heating Surface (sq. ft.)	Shipping Weight (lbs.)	
2 Pass	4 Pass	2 Pass		4 Pass		2 and 4 Pass												
		M	U	N	T	Y	V	A	C	D	E	F	G	L	R	S		
G8204S	G8404S	5	3T	4	2T	2	4 1/4	8 5/8	13 1/2	8	18	6	6	24	2T	1T	16.5	192
G8206S	G8406S	5	3T	4	2T	2	4 1/4	8 5/8	13 1/2	8	30	6	6 7/8	36	2 1/2T	1T	25.1	234
G8208S	G8408S	5	3T	4	2T	2	4 1/4	8 5/8	13 1/2	8	42	6	6 13/16	48	3T	1T	33.7	283
G8210S	G8410S	5	3T	4	2T	2	4 1/4	8 5/8	13 1/2	8	54	6	8 7/8	60	4F	1T	42.4	326
G8212S	G8412S	5	3T	4	2T	2	4 1/4	8 5/8	13 1/2	8	66	6	8 7/8	72	4F	1 1/4T	51.0	369
G8214S	G8414S	5	3T	4	2T	2	4 1/4	8 5/8	13 1/2	8	78	6	8 7/8	84	4F	1 1/4T	59.7	390
G8216S	G8416S	5	3T	4	2T	2	4 1/4	8 5/8	13 1/2	8	90	6	8 7/8	96	6F	1 1/4T	68.3	453
G8218S	G8418S	5	3T	4	2T	2	4 1/4	8 5/8	13 1/2	8	102	6	8 7/8	108	6F	1 1/4T	76.9	496
G8220S	G8420S	5	3T	4	2T	2	4 1/4	8 5/8	13 1/2	8	114	6	8 7/8	120	6F	1 1/4T	85.6	540

SADDLE DIMENSIONS: H-7 5/16; W-11 1/4; X-9; Hole Dia. -5/8.

MATERIALS OF CONSTRUCTION (Unless otherwise indicated, standard will be furnished.)

	Standard	Optional
Shell	Steel	304ss, 316ss
Head	Cast Iron 4-10"	Fabricated Steel, Cast Bronze, Fabricated 304ss/316ss
Tubes	Fabricated Steel 12-30"	Cast Bronze, Fabricated 304ss/316ss
Tube Sheet	3/4 x 20 BWG Copper	3/4 x 18 BWG Copper, Steel, 304ss, 316ss, 90/10 Cu Ni, Admiralty
Separators	Steel	Bronze, Brass, 304ss, 316ss, 90/10 Cu Ni
Working Pressure	150 PSIG (ASME)	Bronze, Brass, 304ss, 316ss, 90/10 Cu Ni
Max. Temperature	375°F	Consult Factory
		Consult Factory

All dimensions shown are subject to change and should not be used for pre-piping. Contact your local Taco representative should certified dimensional drawings be required.

Do it Once. Do it Right.

Taco, Inc., 1160 Cranston Street, Cranston, RI 02920 Telephone: (401) 942-8000 Fax: (401) 942-2360
 Taco (Canada), Ltd., 6180 Ordan Drive, Mississauga, Ontario L5T 2B3 Telephone: (905) 564-9422 Fax: (905) 564-9436
 Visit our website at: www.taco-hvac.com

Printed in USA
 Copyright 2007
 TACO, Inc.