



# 1900e Series™ - 1911ecm™ | Submittal Data

Submittal No: 301-254 | Effective: January 10, 2023 | Supersedes: NEW

JOB: \_\_\_\_\_

REPRESENTATIVE: \_\_\_\_\_

ENGINEER: \_\_\_\_\_

CONTRACTOR: \_\_\_\_\_

## PRODUCT DATA

ITEM NO. \_\_\_\_\_ MODEL NO. \_\_\_\_\_

MODE \_\_\_\_\_ MODE SETTING \_\_\_\_\_

GPM \_\_\_\_\_ HEAD/FT \_\_\_\_\_

NSF 61 CERTIFIED YES NO VOLTAGE \_\_\_\_\_

## APPLICATIONS

### DUCTILE IRON MODEL

Closed loop, pressurized Heating and Chilled Water HVAC Systems

### STAINLESS STEEL MODEL

Potable water systems (DHW recirculation, pressure boosting)

## STANDARDS, PROTECTION & FLANGE TYPE

Insulation Class H (180°C)

Enclosure: Type 2 (IP44) Totally Enclosed

Integrated Motor Protection (electronically protected)

Continuous Duty

UL778, 1004-1, 508C

CAN/CSA22.2 #108, #100, #107.1

EMC (89/366EEC): EN 61000

Stainless Steel Version: NSF/ANSI 61 & 372 Commercial Hot

Flange Type: 2 Bolt, Commercial Oval

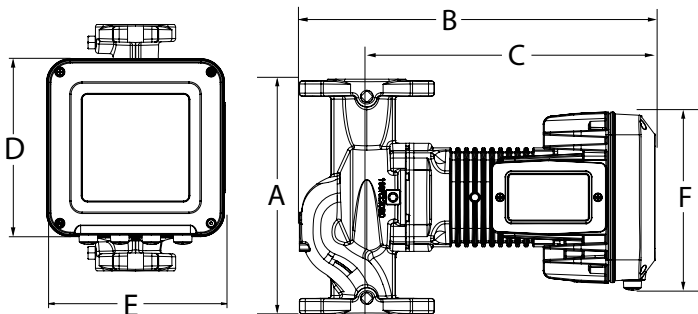


Stainless Steel Model

## DIMENSIONS

MODEL NUMBER PART NUMBER	TYPE	FLANGE SIZE	DIMENSIONS					WEIGHT LBS.
			A	B	C	D/E	F	
1911ecm-F VR50105-HD1-FC2A00	Ductile Iron	1-1/2 (38)	10.4 (264)	15.6 (397)	12.7 (322)	7.5 (190.5)	7.8 (199)	32
1911ecm-SF VR50105-CD1-FS2A00	Stainless Steel							

English dimensions are in inches. Metric dimensions are in millimeters. Metric data is presented in ( ). Do not use for construction purposes unless certified.



## SPECIFICATIONS

MAX SHUT-OFF HEAD	50 feet
MAX. FLOW	105 USGPM
MAX. OPERATING PRESSURE	175 PSI (12 bar)
WATER TEMPERATURE RANGE	36 to 230°F (2 to 110°C)
AMBIENT TEMPERATURE RANGE	32 to 104°F (0 to 40°C)
AMBIENT HUMIDITY	Less than 95% RH (Indoor Use Only)

## ELECTRICAL SPECIFICATIONS

PUMP RATINGS	100-240 volt, 47 - 63Hz
POWER CONSUMPTION (HP)	0.027 - 0.60 HP
POWER CONSUMPTION (W)	20 - 425 W
RATED CURRENT (1 Phase, 230V)	0.25A - 4.4A
RELAY OUTPUT	30VDC Max. load up to 2A 24VAC Max. load up to 3A
ANALOG INPUTS	Input Voltage: 0-10V, 10mA, 15 VDC Max Output Voltage: 0-10V, 10mA

## MATERIALS OF CONSTRUCTION

MODEL TYPE	CASING	IMPELLER	SHAFT	BEARING	MECHANICAL SEAL
HVAC MODEL	Cataphoresis Coated Ductile Iron	PPS	Stainless Steel	Sealed Ball Bearing	Carbon-SiCarbide-EPT
DHW MODEL	Stainless Steel				Carbon-SiCarbide-Viton

## MINIMUM STATIC INLET PRESSURE

at pump suction port (PSI / bar) to avoid cavitation at fluid temperatures

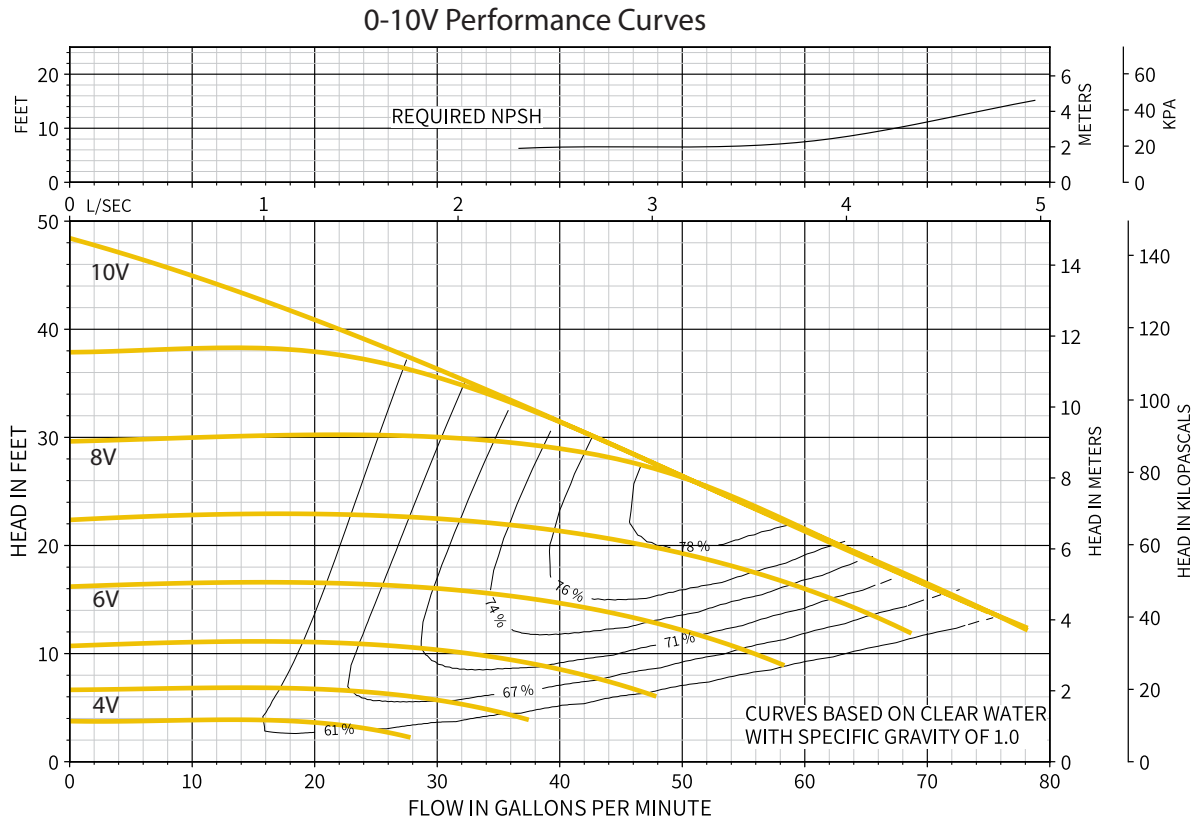
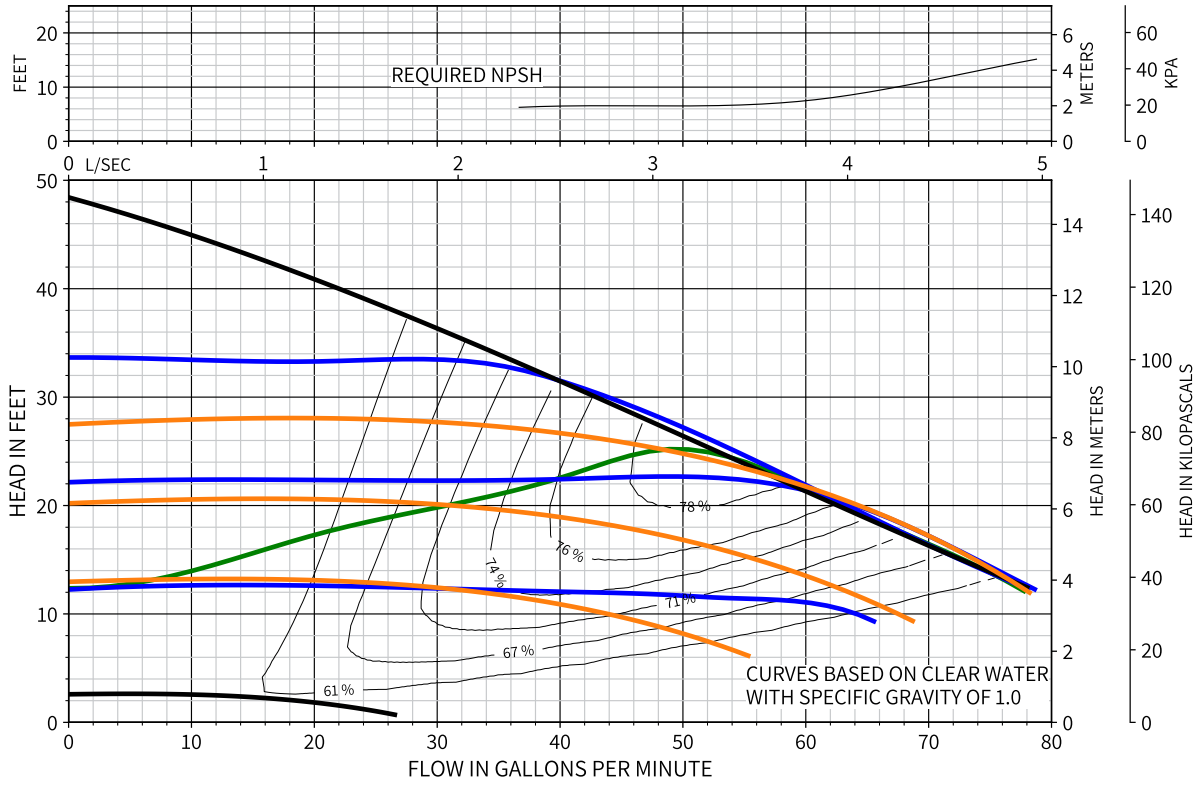
FLUID TEMPERATURES	PSI / bar
112°F (50°C)	5.6 / 0.4
176°F (80°C)	11.0 / 0.8
230°F (110°C)	24.8 / 1.7

## OPERATING MODES

- Constant Pressure Control ( $\Delta p-c$ ) - 0-10Vdc
- Proportional Pressure Control (AUTO) - 2-Pump Alternation
- Constant Speed

**PERFORMANCE CURVES**

- 
 Fixed Speed
- 
 Constant Pressure
- 
 Proportional Pressure



**COMMENTS**