



Submittal Data Information

Double Wall Heat Exchangers

201-071

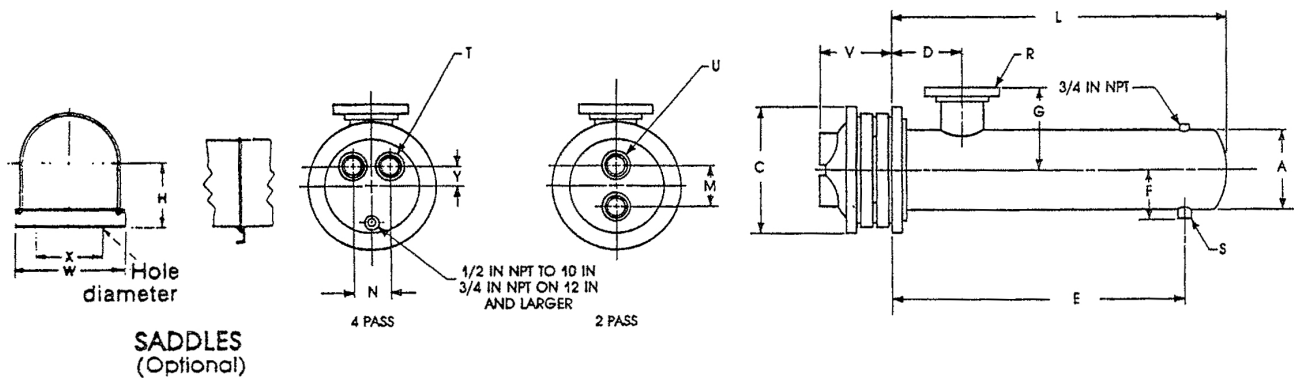
8" Diameter Steam

SUPERSEDES: NEW

EFFECTIVE 1/2/91

Job: _____

| Item No. | Model No. | Pass | GPM Tubes | Temp. In | Temp. Out | Steam Pressure Shell | Pressure Drop Tubes | Velocity Tubes |
|----------|-----------|------|-----------|----------|-----------|----------------------|---------------------|----------------|
| | | | | | | | | |



DIMENSIONS: 8 Inch Diameter

| Model Number | | Cast Iron Heads | | | | | | Dimensions (inches) | | | | | | | | | Heating Surface (sq. ft.) | Shipping Weight (lbs.) |
|--------------|--------|-----------------|----------|----------|----------|----------|----------|---------------------|--------|---|-----|---|---------|-----|--------|--------|---------------------------|------------------------|
| 2 Pass | 4 Pass | 2 Pass M | 4 Pass U | 2 Pass N | 4 Pass T | 4 Pass Y | 4 Pass V | 2 and 4 Pass | | | | | | | | | | |
| | | A | C | D | E | F | G | L | R | S | | | | | | | | |
| G8204S | G8404S | 5 | 3T | 4 | 2T | 2 | 4 1/4 | 8 5/8 | 13 1/2 | 8 | 18 | 6 | 6 | 24 | 2T | 1T | 33.0 | 220 |
| G8206S | G8406S | 5 | 3T | 4 | 2T | 2 | 4 1/4 | 8 5/8 | 13 1/2 | 8 | 30 | 6 | 6 7/8 | 36 | 2 1/2T | 1T | 50.2 | 262 |
| G8208S | G8408S | 5 | 3T | 4 | 2T | 2 | 4 1/4 | 8 5/8 | 13 1/2 | 8 | 42 | 6 | 6 13/16 | 48 | 3T | 1T | 67.4 | 311 |
| G8210S | G8410S | 5 | 3T | 4 | 2T | 2 | 4 1/4 | 8 5/8 | 13 1/2 | 8 | 54 | 6 | 8 7/8 | 60 | 4F | 1T | 84.8 | 354 |
| G8212S | G8412S | 5 | 3T | 4 | 2T | 2 | 4 1/4 | 8 5/8 | 13 1/2 | 8 | 66 | 6 | 8 7/8 | 72 | 4F | 1 1/4T | 102.0 | 397 |
| G8214S | G8414S | 5 | 3T | 4 | 2T | 2 | 4 1/4 | 8 5/8 | 13 1/2 | 8 | 78 | 6 | 8 7/8 | 84 | 4F | 1 1/4T | 119.4 | 418 |
| G8216S | G8416S | 5 | 3T | 4 | 2T | 2 | 4 1/4 | 8 5/8 | 13 1/2 | 8 | 90 | 6 | 8 7/8 | 96 | 6F | 1 1/4T | 136.6 | 481 |
| G8218S | G8418S | 5 | 3T | 4 | 2T | 2 | 4 1/4 | 8 5/8 | 13 1/2 | 8 | 102 | 6 | 8 7/8 | 108 | 6F | 1 1/4T | 153.8 | 524 |
| G8220S | G8420S | 5 | 3T | 4 | 2T | 2 | 4 1/4 | 8 5/8 | 13 1/2 | 8 | 114 | 6 | 8 7/8 | 120 | 6F | 1 1/4T | 171.2 | 568 |

SADDLE DIMENSIONS: H-7 1/8; W-11 1/4; X-9; Hole Dia.-5/8

MATERIALS OF CONSTRUCTION (Unless otherwise indicated, standard will be furnished.)

| | | |
|---------------------|--|------------------------------------|
| Shell | Standard Steel | Optional 304ss |
| Head | Cast Iron 4"-10" Fabricated Steel 12" | Fabricated Steel, Fabricated 304ss |
| Tubes | 3/4" Double Wall Copper Enhanced Heating Surface | |
| Tube Sheet | Steel | 304ss |
| Separators | Steel | 304ss |
| Working Pressure | 150 PSIG (ASME) | |
| Maximum Temperature | 375°F Visual Leak Detection | |

All dimensions shown are subject to change and should not be used for pre-piping. Contact your local Taco representative should certified dimensional drawings be required.



Taco, Inc., 1160 Cranston Street, Cranston, RI 02920 | Tel: (401) 942-8000 | FAX: (401) 942-2360

Taco (Canada), Ltd., 8450 Lawson Road, Suite #3, Milton, Ontario L9T 0J8 | Tel: (905) 564-9422 | FAX: (905) 564-9436

Visit our web site: www.TacoComfort.com | Printed in USA | ©2015 Taco, Inc.

