

Double Wall Heat Exchangers

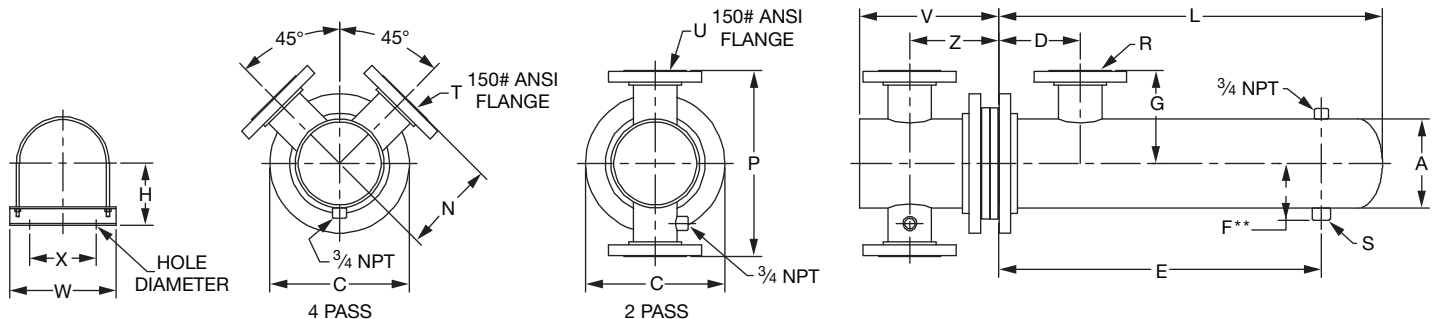
20" DIAMETER STEAM

SUPERSEDES: AUGUST 1, 2009

EFFECTIVE: JUNE 1, 2010

Job: _____

| Item No. | Model No. | Pass | GPM Tubes | Temp. In | Temp. Out | Steam Pressure Shell | Pressure Drop Tubes | Velocity Tubes |
|----------|-----------|------|-----------|----------|-----------|----------------------|---------------------|----------------|
| | | | | | | | | |



DIMENSIONS – 20 Inch Diameter

* Dimensions are ANSI. For TEMA, consult factory.

| Model Number | | Fabricated Steel Heads | | | | | | | | Dimensions (inches) | | | | | | | | | Heating Surface (Sq. Ft.) | Shipping Weight (Lbs.) |
|--------------|----------|------------------------|----|-----|-----|--------|----|-----|-----|---------------------|-----|-----|------|-----|-----|------|-----|-----|---------------------------|------------------------|
| 2 Pass | 4 Pass | 2 Pass | | | | 4 Pass | | | | 2 Pass and 4 Pass | | | | | | | | | | |
| | | P | U | V | Z | N | T | V | Z | A | C* | D | E | F** | G | L | R | S | | |
| G20206SD | G20406SD | 32½ | 6F | 21⅞ | 16⅞ | 16¼ | 4F | 21⅞ | 15⅞ | 20 | 27½ | 13½ | 27½ | 11¾ | 16⅞ | 36¾ | 8F | 2T | 341.3 | 1550 |
| G20208SD | G20408SD | 32½ | 6F | 21⅞ | 16⅞ | 16¼ | 4F | 21⅞ | 15⅞ | 20 | 27½ | 13½ | 39 | 12⅞ | 16⅞ | 48¾ | 8F | 2½T | 456.6 | 1880 |
| G20210SD | G20410SD | 32½ | 6F | 21⅞ | 16⅞ | 16¼ | 4F | 21⅞ | 15⅞ | 20 | 27½ | 13½ | 50½ | 12⅞ | 16½ | 60¾ | 10F | 3T | 589.9 | 2203 |
| G20212SD | G20412SD | 32½ | 6F | 21⅞ | 16⅞ | 16¼ | 4F | 21⅞ | 15⅞ | 20 | 27½ | 13½ | 62½ | 12⅞ | 16½ | 72¾ | 10F | 3T | 714.3 | 2527 |
| G20214SD | G20414SD | 32½ | 6F | 21⅞ | 16⅞ | 16¼ | 4F | 21⅞ | 15⅞ | 20 | 27½ | 13½ | 74½ | 12⅞ | 16½ | 84¾ | 12F | 3T | 838.6 | 2850 |
| G20216SD | G20416SD | 32½ | 6F | 21⅞ | 16⅞ | 16¼ | 4F | 21⅞ | 15⅞ | 20 | 27½ | 13½ | 85½ | 15 | 16½ | 96¾ | 12F | 4F | 962.9 | 3174 |
| G20218SD | G20418SD | 32½ | 6F | 21⅞ | 16⅞ | 16¼ | 4F | 21⅞ | 15⅞ | 20 | 27½ | 13½ | 97½ | 15 | 16½ | 108¾ | 12F | 4F | 1087.5 | 3512 |
| G20220SD | G20420SD | 32½ | 6F | 21⅞ | 16⅞ | 16¼ | 4F | 21⅞ | 15⅞ | 20 | 27½ | 13½ | 109½ | 15 | 16½ | 120¾ | 14F | 4F | 1211.8 | 3836 |

SADDLE DIMENSIONS (Inches): H - 14, W - 23, X - 14, Hole Diameter - 3/4

** DIMENSION 'F' ONLY APPLIES IF 'S' IS FLANGED CONNECTION.

All dimensions shown are subject to change and should not be used for pre-piping. Contact your local Taco representative should certified dimensional drawings be required.

MATERIALS OF CONSTRUCTION (Unless otherwise indicated, standard will be furnished.)

| | Standard | Optional |
|---------------------|--|------------------------------------|
| Shell | Steel | 304ss |
| Head | Cast Iron 4"-10", Fabricated Steel 12"-20" | Fabricated Steel, Fabricated 304ss |
| Tubes | 3/4" Double Wall Copper Enhanced Heating Surface | |
| Tube Sheet | Steel | 304ss |
| Separators | Steel | 304ss |
| Working Pressure | 150 PSIG (ASME) | |
| Maximum Temperature | 375°F | |
| | Visual Leak Detection | |

