

Double Wall Heat Exchangers

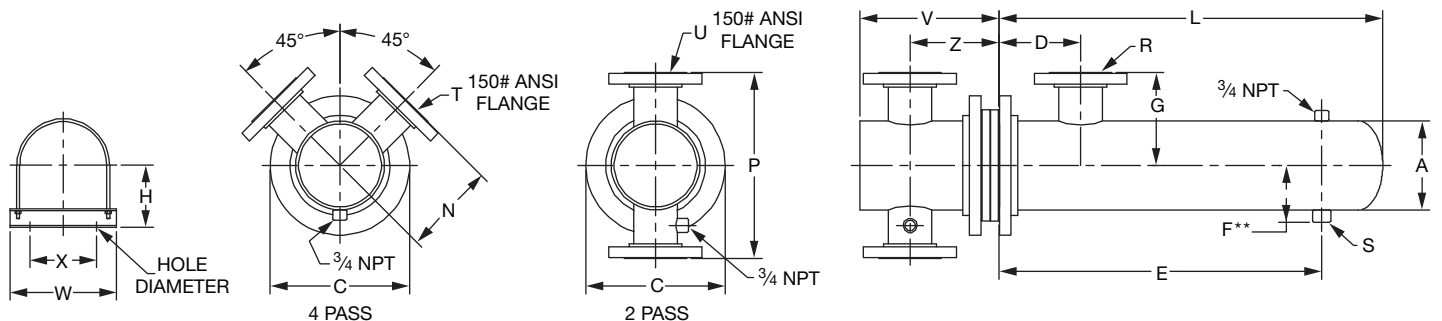
18" DIAMETER STEAM

SUPERSEDES: AUGUST 1, 2009

EFFECTIVE: JUNE 1, 2010

Job: _____

Item No.	Model No.	Pass	GPM Tubes	Temp. In	Temp. Out	Steam Pressure Shell	Pressure Drop Tubes	Velocity Tubes



DIMENSIONS – 18 Inch Diameter

* Dimensions are ANSI. For TEMA, consult factory.

Model Number		Fabricated Steel Heads								Dimensions (inches)								Heating Surface (Sq. Ft.)	Shipping Weight (Lbs.)	
2 Pass	4 Pass	2 Pass				4 Pass				2 Pass and 4 Pass										
		P	U	V	Z	N	T	V	Z	A	C*	D	E	F**	G	L	R	S		
G18206SD	G18406SD	30	6F	20 ³ / ₄	15 ¹ / ₄	15	4F	20 ³ / ₄	14	18	25	13	27 ¹ / ₂	10 ³ / ₄	15 ¹ / ₄	36 ¹ / ₂	6F	2T	272.2	1283
G18208SD	G18408SD	30	6F	20 ³ / ₄	15 ¹ / ₄	15	4F	20 ³ / ₄	14	18	25	13	39 ¹ / ₂	10 ³ / ₄	15 ⁵ / ₁₆	48 ¹ / ₂	8F	2T	268.6	1551
G18210SD	G18410SD	30	6F	20 ³ / ₄	15 ¹ / ₄	15	4F	20 ³ / ₄	14	18	25	13	51	11 ⁵ / ₈	15 ⁵ / ₁₆	60 ¹ / ₂	8F	2 ¹ / ₂ T	465.2	1817
G18212SD	G18412SD	30	6F	20 ³ / ₄	15 ¹ / ₄	15	4F	20 ³ / ₄	14	18	25	13	62 ¹ / ₂	11 ⁵ / ₈	15 ³ / ₈	72 ¹ / ₂	10F	3T	561.6	2087
G18214SD	G18414SD	30	6F	20 ³ / ₄	15 ¹ / ₄	15	4F	20 ³ / ₄	14	18	25	13	74 ¹ / ₂	11 ⁵ / ₈	15 ³ / ₈	84 ¹ / ₂	10F	3T	658.3	2333
G18216SD	G18416SD	30	6F	20 ³ / ₄	15 ¹ / ₄	15	4F	20 ³ / ₄	14	18	25	13	86 ¹ / ₂	11 ⁵ / ₈	15 ³ / ₈	96 ¹ / ₂	10F	3T	754.7	2601
G18218SD	G18418SD	30	6F	20 ³ / ₄	15 ¹ / ₄	15	4F	20 ³ / ₄	14	18	25	13	98 ¹ / ₂	11 ⁵ / ₈	15 ³ / ₈	108 ¹ / ₂	12F	3T	851.3	2874
G18220SD	G18420SD	30	6F	20 ³ / ₄	15 ¹ / ₄	15	4F	20 ³ / ₄	14	18	25	13	109 ¹ / ₂	14	15 ³ / ₈	120 ¹ / ₂	12F	4F	947.7	3140

SADDLE DIMENSIONS (Inches): H - 13, W - 21, X - 14, Hole Diameter - 3/4

** DIMENSION 'F' ONLY APPLIES IF 'S' IS FLANGED CONNECTION.

All dimensions shown are subject to change and should not be used for pre-piping. Contact your local Taco representative should certified dimensional drawings be required.

MATERIALS OF CONSTRUCTION (Unless otherwise indicated, standard will be furnished.)

	Standard	Optional
Shell	Steel	304ss
Head	Cast Iron 4"-10", Fabricated Steel 12"-20"	Fabricated Steel, Fabricated 304ss
Tubes	3/4" Double Wall Copper Enhanced Heating Surface	
Tube Sheet	Steel	304ss
Separators	Steel	304ss
Working Pressure	150 PSIG (ASME)	
Maximum Temperature	375°F	
	Visual Leak Detection	

