

## Double Wall Heat Exchangers

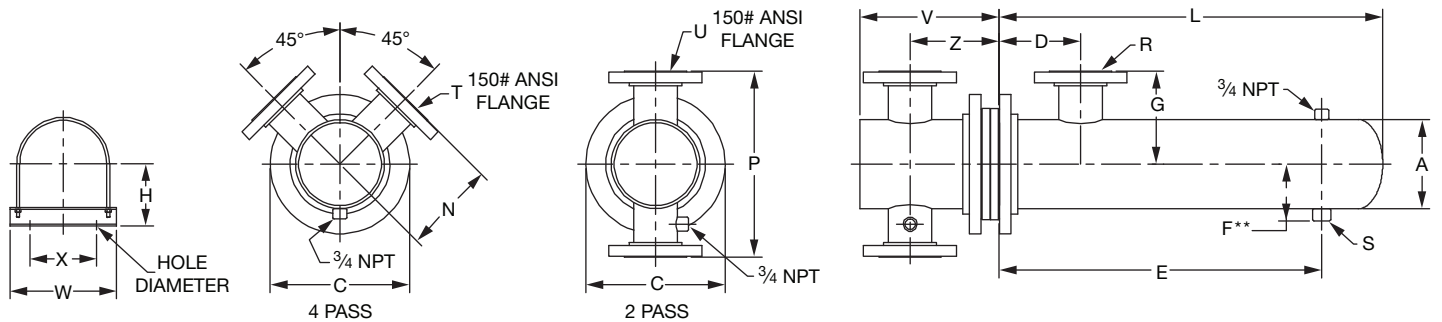
14" DIAMETER STEAM

SUPERSEDES: AUGUST 1, 2009

EFFECTIVE: JUNE 1, 2010

Job: \_\_\_\_\_

Item No.	Model No.	Pass	GPM Tubes	Temp. In	Temp. Out	Steam Pressure Shell	Pressure Drop Tubes	Velocity Tubes



### DIMENSIONS – 14 Inch Diameter

\* Dimensions are ANSI. For TEMA, consult factory.

Model Number		Fabricated Steel Heads								Dimensions (inches)								Heating Surface (Sq. Ft.)	Shipping Weight (Lbs.)	
2 Pass	4 Pass	2 Pass				4 Pass				2 Pass and 4 Pass										
		P	U	V	Z	N	T	V	Z	A	C*	D	E	F**	G	L	R	S		
G14206SD	G14406SD	26	6F	18¼	13	13	4F	18¼	12¼	14	21	10½	29	8¾	12⅞	37¼	6F	1¼T	157.6	787
G14208SD	G14408SD	26	6F	18¼	13	13	4F	18¼	12¼	14	21	10½	40½	8¾	12⅞	49¼	6F	2T	213.2	956
G14210SD	G14410SD	26	6F	18¼	13	13	4F	18¼	12¼	14	21	10½	52½	8¾	12⅞	61¼	6F	2T	268.8	1122
G14212SD	G14412SD	26	6F	18¼	13	13	4F	18¼	12¼	14	21	10½	64½	8¾	12⅞	73¼	8F	2T	324.5	1286
G14214SD	G14414SD	26	6F	18¼	13	13	4F	18¼	12¼	14	21	10½	76	9⅝	12⅞	85¼	8F	2½T	380.0	1449
G14216SD	G14416SD	26	6F	18¼	13	13	4F	18¼	12¼	14	21	10½	88	9⅝	12⅞	97¼	8F	2½T	435.7	1586
G14218SD	G14418SD	26	6F	18¼	13	13	4F	18¼	12¼	14	21	10½	100	9⅝	12⅞	109¼	10F	2½T	491.5	1778
G14220SD	G14420SD	26	6F	18¼	13	13	4F	18¼	12¼	14	21	10½	112	9⅝	12⅞	121¼	10F	3T	547.0	1943

SADDLE DIMENSIONS (Inches): H - 11, W - 17, X - 12, Hole Diameter - ¾

\*\* DIMENSION 'F' ONLY APPLIES IF 'S' IS FLANGED CONNECTION.

All dimensions shown are subject to change and should not be used for pre-piping. Contact your local Taco representative should certified dimensional drawings be required.

MATERIALS OF CONSTRUCTION (Unless otherwise indicated, standard will be furnished.)

	Standard	Optional
Shell	Steel	304ss
Head	Cast Iron 4"-10", Fabricated Steel 12"-20"	Fabricated Steel, Fabricated 304ss
Tubes	¾" Double Wall Copper Enhanced Heating Surface	
Tube Sheet	Steel	304ss
Separators	Steel	304ss
Working Pressure	150 PSIG (ASME)	
Maximum Temperature	375°F	
	Visual Leak Detection	

