



Submittal Data Information

Double Wall Heat Exchangers

201-072

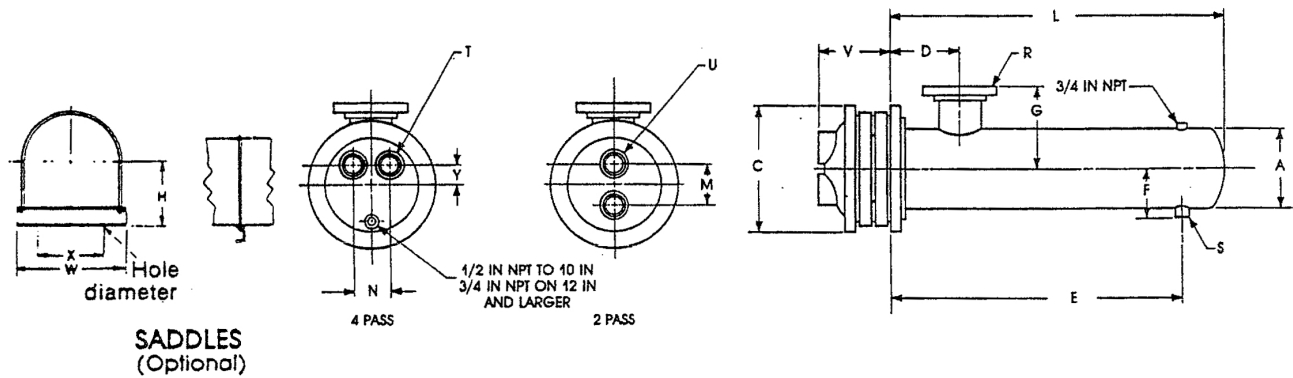
10" DIAMETER STEAM

SUPERSEDES: NEW

EFFECTIVE 1/2/91

Job: _____

Item No.	Model No.	Pass	GPM Tubes	Temp. In	Temp. Out	Steam Pressure Shell	Pressure Drop Tubes	Velocity Tubes
----------	-----------	------	-----------	----------	-----------	----------------------	---------------------	----------------



DIMENSIONS: 10 Inch Diameter

Model Number		Cast Iron Heads				Dimensions (Inches)										Heating Surface (sq. ft.)	Shipping Weight (lbs.)	
2 Pass	4 Pass	2 Pass M	4 Pass U	2 Pass N	4 Pass T	4 Pass Y	4 Pass V	2 and 4 Pass A	2 and 4 Pass C	2 and 4 Pass D	2 and 4 Pass E	2 and 4 Pass F	2 and 4 Pass G	2 and 4 Pass L	2 and 4 Pass R			2 and 4 Pass S
G10204S	G10404S	6¼	3T	5½	3T	2¼	5½	10¾	16	8	17	7½	7½	24	3T	1T	53.6	356
G10206S	G10406S	6¼	3T	5½	3T	2¼	5½	10¾	16	8	29	7½	10	36	4F	1T	81.8	409
G10208S	G10408S	6¼	3T	5½	3T	2¼	5½	10¾	16	8	41	7½	10	48	4F	1¼T	110.0	471
G10210S	G10410S	6¼	3T	5½	3T	2¼	5½	10¾	16	8	53	7½	10	60	6F	1¼T	138.4	532
G10212S	G10412S	6¼	3T	5½	3T	2¼	5½	10¾	16	8	65	7½	10	72	6F	1½T	166.6	593
G10214S	G10414S	6¼	3T	5½	3T	2¼	5½	10¾	16	8	77	7½	10	84	6F	1½T	195.0	654
G10216S	G10416S	6¼	3T	5½	3T	2¼	5½	10¾	16	8	88½	7¼	10	96	6F	2T	223.2	716
G10218S	G10418S	6¼	3T	5½	3T	2¼	5½	10¾	16	8	100½	7½	10	108	6F	2T	251.4	777
G10220S	G10420S	6¼	3T	5½	3T	2¼	5½	10¾	16	8	112½	7½	10	120	6F	2T	279.8	838

SADDLE DIMENSIONS: H-8¾; W-13¾; X-10; Hole Dia.-¾

MATERIALS OF CONSTRUCTION (Unless otherwise indicated, standard will be furnished.)

Shell	Standard Steel	Optional 304ss
Head	Cast Iron 4"-10" Fabricated Steel 12"	Fabricated Steel, Fabricated 304ss
Tubes	¾" Double Wall Copper Enhanced Heating Surface	
Tube Sheet	Steel	304ss
Separators	Steel	304ss
Working Pressure	150 PSIG (ASME)	
Maximum Temperature	375°F	
	Visual Leak Detection	

All dimensions shown are subject to change and should not be used for pre-piping. Contact your local Taco representative should certified dimensional drawings be required.



Taco, Inc., 1160 Cranston Street, Cranston, RI 02920 | Tel: (401) 942-8000 | FAX: (401) 942-2360

Taco (Canada), Ltd., 8450 Lawson Road, Suite #3, Milton, Ontario L9T 0J8 | Tel: (905) 564-9422 | FAX: (905) 564-9436

Visit our web site: www.TacoComfort.com | Printed in USA | ©2015 Taco, Inc.

