



# Submittal Data Information

201-021

## TA & TB Tank Heating Units

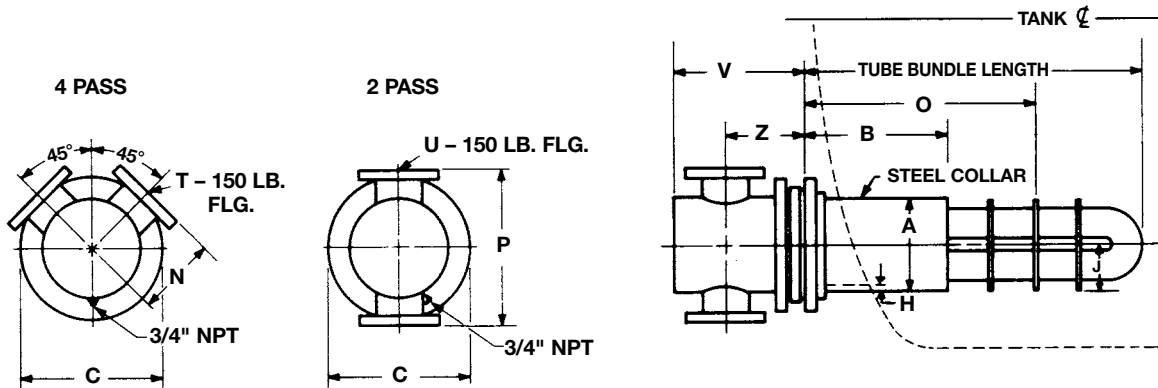
12"-20" DIAMETER

EFFECTIVE: April 15, 1995

Job: \_\_\_\_\_ Engineer: \_\_\_\_\_ Contractor: \_\_\_\_\_ Rep: \_\_\_\_\_

Item No.	Model No.	Pass	GPM/Steam Pressure Tubes	Temp. In	Temp. Out	P.D. Tubes	GPH Shell	Temp. In	Temp. Out

Tube Fluid \_\_\_\_\_ Shell Fluid \_\_\_\_\_



### TYPICAL DIMENSIONS

Dia. In.		A	B	C	H	J		N	P	T	U	V		Z	
2 Pass	4 Pass					TA	TB	4 Pass	2 Pass	4 Pass Flanged	2 Pass Flanged	2 Pass	4 Pass	2 Pass	4 Pass
12	12	12 <sup>3</sup> / <sub>4</sub>	10	19	3/8	6	5	12	24	3F	4F	14 <sup>3</sup> / <sub>4</sub>	14 <sup>1</sup> / <sub>2</sub>	10	10 <sup>1</sup> / <sub>4</sub>
14	14	14	10	21	3/8	6 <sup>1</sup> / <sub>2</sub>	6	13	26	4F	6F	18 <sup>1</sup> / <sub>4</sub>	16 <sup>1</sup> / <sub>2</sub>	12 <sup>1</sup> / <sub>4</sub>	11 <sup>1</sup> / <sub>2</sub>
16	16	16	10	23 <sup>1</sup> / <sub>2</sub>	3/8	7 <sup>1</sup> / <sub>2</sub>	6 <sup>1</sup> / <sub>2</sub>	14 <sup>1</sup> / <sub>4</sub>	28 <sup>1</sup> / <sub>2</sub>	4F	6F	19 <sup>1</sup> / <sub>2</sub>	17 <sup>1</sup> / <sub>4</sub>	13 <sup>1</sup> / <sub>4</sub>	12
18	18	18	10	25	3/8	8 <sup>1</sup> / <sub>2</sub>	7 <sup>1</sup> / <sub>2</sub>	15	30	4F	6F	20 <sup>1</sup> / <sub>8</sub>	17 <sup>7</sup> / <sub>8</sub>	13 <sup>7</sup> / <sub>8</sub>	12 <sup>5</sup> / <sub>8</sub>
20	20	20	10	27 <sup>1</sup> / <sub>2</sub>	3/8	9 <sup>1</sup> / <sub>2</sub>	8 <sup>1</sup> / <sub>2</sub>	16 <sup>1</sup> / <sub>4</sub>	32 <sup>1</sup> / <sub>2</sub>	4F	6F	21 <sup>1</sup> / <sub>2</sub>	19 <sup>1</sup> / <sub>2</sub>	15	14

Last Two Digits of Model No.	07	08	09	10	11	12	13	14	15	16	17	18	19	20
Tube Bundle Length in Inches	42	48	54	60	66	72	78	84	90	96	102	108	114	120
"O" Support Location	22	28	34	40	46	48	54	56	56	64	64	64	68	76

NOTE: Tank units less than 42" in length do not include bundle support/separator.

MATERIALS OF CONSTRUCTION (Unless otherwise indicated, standard will be furnished.)

	Standard	Optional
Collar	Steel	304ss, 316ss
Head	Fabricated Steel	Fabricated 304ss/316ss
Tubes	3/4 x 20 BWG Copper	3/4 x 18 BWG Copper, Steel, 304ss, 316ss, 90/10 Cu Ni, Admiralty
Tube Sheet	Steel	Bronze, Brass, 304ss, 316ss, 90/10 Cu Ni
Separators	Steel	Bronze, Brass, 304ss, 316ss, 90/10 Cu Ni
Working Pressure	150 PSIG (ASME)	Consult Factory
Max. Temperature	375°F	Consult Factory

All dimensions shown are subject to change and should not be used for pre-piping. Contact your local Taco representative should certified dimensional drawings be required.

### Do it Once. Do it Right.

Taco, Inc., 1160 Cranston Street, Cranston, RI 02920 Telephone: (401) 942-8000 Fax: (401) 942-2360  
 Taco (Canada), Ltd., 6180 Ordan Drive, Mississauga, Ontario L5T 2B3 Telephone: (905) 564-9422 Fax: (905) 564-9436

Visit our website at: [www.taco-hvac.com](http://www.taco-hvac.com)

Printed in USA  
 Copyright 2007  
 TACO, Inc.