

150 PSI Channel Heads

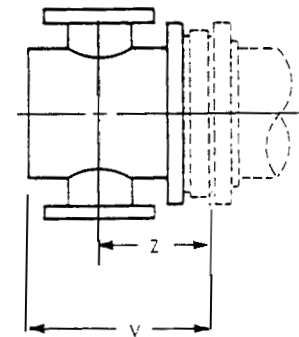
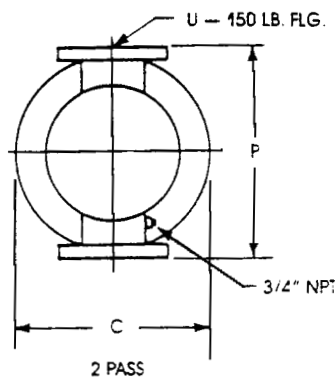
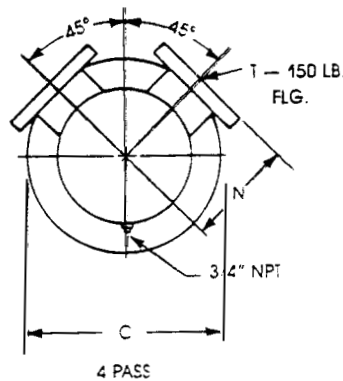
4"-30" DIAMETER

EFFECTIVE: April 15, 1995

Job: _____ Engineer: _____ Contractor: _____ Rep: _____

Item No.	Diameter	Pass	GPM Tubes	Temp. In	Temp. Out	Material of Construction	Working Pressure

Tube Fluid _____ Shell Fluid _____



TYPICAL DIMENSIONS

Unit Size	C	N	P	T	U	V		Z	
Dia. In.		4 Pass	2 Pass	4 Pass Flanged	2 Pass Flanged	2 Pass	4 Pass	2 Pass	4 Pass
4	9	6 ³ / ₄	13 ¹ / ₂	1F	1 ¹ / ₂ F	10 ¹ / ₄	8 ¹ / ₂	7	5 ¹ / ₂
6	11	7 ³ / ₄	16	1 ¹ / ₂ F	2 ¹ / ₂ F	11	9	7 ¹ / ₄	5 ³ / ₄
8	13 ¹ / ₂	9 ¹ / ₄	18 ¹ / ₂	2F	2 ¹ / ₂ F	10 ¹ / ₂	9 ³ / ₄	6 ³ / ₄	6 ¹ / ₄
10	16	10 ¹ / ₂	21	2 ¹ / ₂ F	4F	15	13 ³ / ₄	10 ¹ / ₄	9 ³ / ₄
12	19	12	24	3F	4F	14 ³ / ₄	14 ¹ / ₂	10	10 ¹ / ₄
14	21	13	26	4F	6F	18 ¹ / ₄	16 ¹ / ₂	12 ¹ / ₄	11 ¹ / ₂
16	23 ¹ / ₂	14 ¹ / ₄	28 ¹ / ₂	4F	6F	19 ¹ / ₂	17 ¹ / ₄	13 ¹ / ₄	12
18	25	15	30	4F	6F	20 ¹ / ₈	17 ⁷ / ₈	13 ⁷ / ₈	12 ⁵ / ₈
20	27 ¹ / ₂	16 ¹ / ₄	32 ¹ / ₂	4F	6F	21 ¹ / ₂	19 ¹ / ₂	15	14
22	29 ¹ / ₂	17 ¹ / ₄	35	8F	10F	26 ¹ / ₂	24 ¹ / ₄	17 ³ / ₄	17
24	32	18 ¹ / ₂	37 ¹ / ₂	8F	10F	27 ⁵ / ₈	25 ⁵ / ₈	18 ⁷ / ₈	17 ⁷ / ₈
26	31 ¹ / ₂	18 ¹ / ₄	37	8F	12F	28 ³ / ₄	24 ³ / ₄	19	17
30	35 ³ / ₄	20 ³ / ₄	42	10F	14F	31 ³ / ₄	28 ⁷ / ₈	21 ¹ / ₈	19 ⁵ / ₈

MATERIALS OF CONSTRUCTION (Unless otherwise indicated, standard will be furnished.)

Unit Size	Standard	Optional
4" - 30"	Fabricated Steel	Fabricated 304ss, 316ss

*Cast iron heads furnished standard on all complete HX units 10" and smaller.

All dimensions shown are subject to change and should not be used for pre-piping. Contact your local Taco representative should certified dimensional drawings be required.

