

## Leak Guard Series Double Wall Tank Heating Units (12" - 20" Diameter)

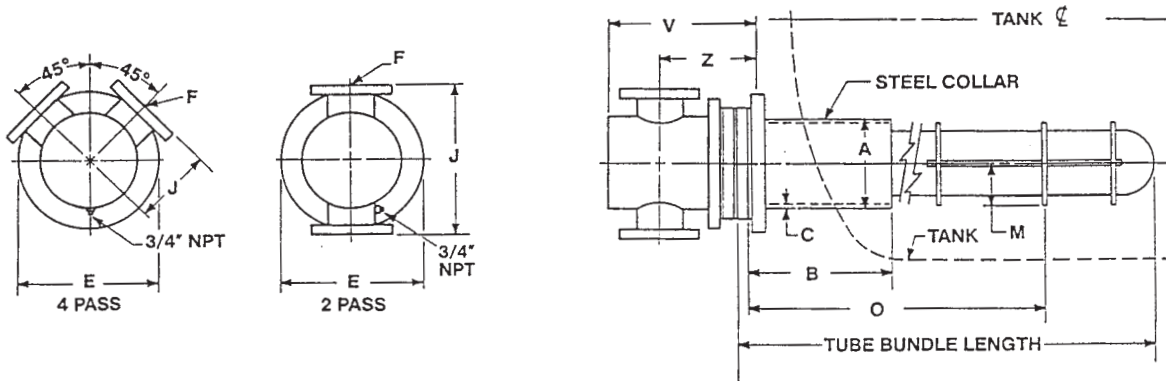
SUPERSEDES: 201-080 January 2, 1991

EFFECTIVE: January 1, 2000

Job: \_\_\_\_\_ Engineer: \_\_\_\_\_ Contractor: \_\_\_\_\_ Rep: \_\_\_\_\_

Item No.	Model No.	Pass	GPM/Steam Pressure Tubes	Temp. In	Temp. Out	P.D. Tubes	GPH Shell	Temp. In	Temp. Out

Tube Fluid: \_\_\_\_\_ Shell Fluid: \_\_\_\_\_



### TYPICAL DIMENSIONS

Dia. In.		A	B	C	E*	M		J		F		V		Z	
2 Pass	4 Pass					TA	TB	2 Pass	4 Pass	2 Pass Flanged	4 Pass Flanged	2 Pass	4 Pass	2 Pass	4 Pass
12	12	12-3/4	10	3/8	19	6	5	24	12	4F	3F	16	15-3/4	11-1/4	11-1/4
14	14	14	10	3/8	21	6-1/2	6	26	13	6F	4F	19	19	13	12-1/4
16	16	16	10	3/8	23-1/2	7-1/2	6-1/2	28-1/2	14-1/4	6F	4F	20-1/4	20-1/4	14	12-3/4
18	18	18	10	3/8	25	8-1/2	7-1/2	30	15	6F	4F	20-3/4	20-3/4	14-1/2	13-1/4
20	20	20	10	3/8	27-1/2	9-1/2	8-1/2	32-1/2	16-1/4	6F	4F	22	22	15-1/2	17-1/4

Last Two Digits of Model No.	07	08	09	10	11	12	13	14	15	16	17	18	19	20
Tube Bundle Length in Inches	42	48	54	60	66	72	78	84	90	96	102	108	114	120
"O" Support Location	22	28	34	40	46	48	54	56	56	64	64	64	68	76

NOTE: Tank units less than 42" in length do not include bundle support/separator.  
All flanges are 150 lb. standard

(\* Dimensions are ANSI. For TEMA, consult factory.)

MATERIALS OF CONSTRUCTION (Unless otherwise indicated, standard will be furnished.)

	Standard	Optional
Collar	Steel	304ss, 316ss
Head	Fabricated Steel	Fabricated 304ss*, 316ss*
Tubes	3/4" Double Wall Copper Enhanced Heating Surface	3/4" Double Wall Copper/CuNi, CuNi/CuNi
Tube Sheet	Steel	304ss, 316ss
Separators	Steel	Brass, 304ss, 316ss, 90/10 CuNi
Working Pressure	150 PSIG (ASME)	
Maximum Temperature	375°F	
	Visual Leak Detection	

\* See Sheet 203-022



All dimensions shown are subject to change and should not be used for pre-piping. Contact your local Taco representative should certified dimensional drawings be required.

