



Submittal Data Information

Double Wall Heat Exchangers

201-076

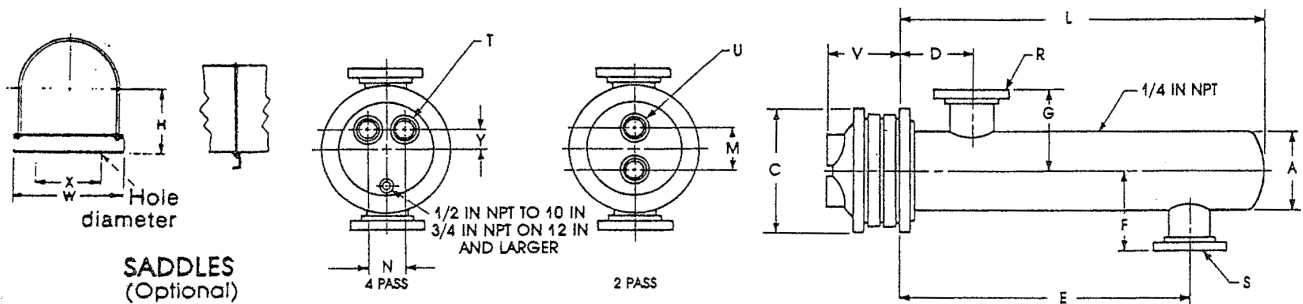
8" Diameter Liquid

SUPERSEDES: NEW

EFFECTIVE 1/2/91

Item No	Model No	Pass	GPM Tubes	Temp. In	Temp. Out	P.D. Tubes	Vel. Tubes	GPM Shell	Temp. In	Temp. Out	P.D. Shell	Vel. Shell
---------	----------	------	-----------	----------	-----------	------------	------------	-----------	----------	-----------	------------	------------

Tube Fluid _____ Shell Fluid _____



DIMENSIONS: 8 Inch Diameter

Model Number		Cast Iron Heads				Dimensions (Inches)											Heating Surface (sq. ft.)	Shipping Weight (lbs.)
2 Pass	4 Pass	2 Pass		4 Pass		2 and 4 Pass												
		M	U	N	T	Y	V	A	C	D	E	F	G	L	R	S		
G8204L	G8404L	5	3T	4	2T	2	4 1/4	8 5/8	13 1/2	7 1/4	17 1/4	9 1/4	9 1/4	24	4F	4F	33.0	220
G8206L	G8406L	5	3T	4	2T	2	4 1/4	8 5/8	13 1/2	7 1/4	29 1/4	9 1/4	9 1/4	36	4F	4F	50.2	262
G8208L	G8408L	5	3T	4	2T	2	4 1/4	8 5/8	13 1/2	7 1/4	41 1/4	9 1/4	9 1/4	48	4F	4F	67.4	311
G8210L	G8410L	5	3T	4	2T	2	4 1/4	8 5/8	13 1/2	7 1/4	53 1/4	9 1/4	9 1/4	60	4F	4F	84.8	354
G8212L	G8412L	5	3T	4	2T	2	4 1/4	8 5/8	13 1/2	7 1/4	65 1/4	9 1/4	9 1/4	72	4F	4F	102.0	397
G8214L	G8414L	5	3T	4	2T	2	4 1/4	8 5/8	13 1/2	7 1/4	77 1/4	9 1/4	9 1/4	84	4F	4F	119.4	418
G8216L	G8416L	5	3T	4	2T	2	4 1/4	8 5/8	13 1/2	7 1/4	89 1/4	9 1/4	9 1/4	96	4F	4F	136.6	481
G8218L	G8418L	5	3T	4	2T	2	4 1/4	8 5/8	13 1/2	7 1/4	101 1/4	9 1/4	9 1/4	108	4F	4F	153.8	524
G8220L	G8420L	5	3T	4	2T	2	4 1/4	8 5/8	13 1/2	7 1/4	113 1/4	9 1/4	9 1/4	120	4F	4F	171.2	568

SADDLE DIMENSIONS: H-7 1/8; W-11 1/4; X-9; Hole Dia.-5/8

MATERIALS OF CONSTRUCTION (Unless otherwise indicated, standard will be furnished.)

	Standard	Optional
Shell	Steel	304ss
Head	Cast Iron 4"-10" Fabricated Steel 12"	Fabricated Steel, Fabricated 304ss
Tubes	3/4" Double Wall Copper Enhanced Heating Surface	
Tube Sheet	Steel	304ss
Separators	Steel	304ss
Working Pressure	150 PSIG (ASME)	
Maximum Temperature	375°F	
	Visual Leak Detection	

All dimensions shown are subject to change and should not be used for pre-piping. Contact your local Taco representative should certified dimensional drawings be required.

Do it Once. Do it Right.

Taco Inc., 1160 Cranston Street, Cranston, RI 02920 Telephone: (401) 942-8000 Fax: 942-2360
 Taco (Canada), Ltd., 6180 Ordan Drive, Mississauga, Ontario L5T 2B3 Telephone: (905) 564-9422 Fax: (905) 564-9436
 Visit our website at: www.taco-hvac.com

Printed in USA
 Copyright 2007
 TACO, Inc.