



Submittal Data Information

Double Wall Heat Exchangers

201-074

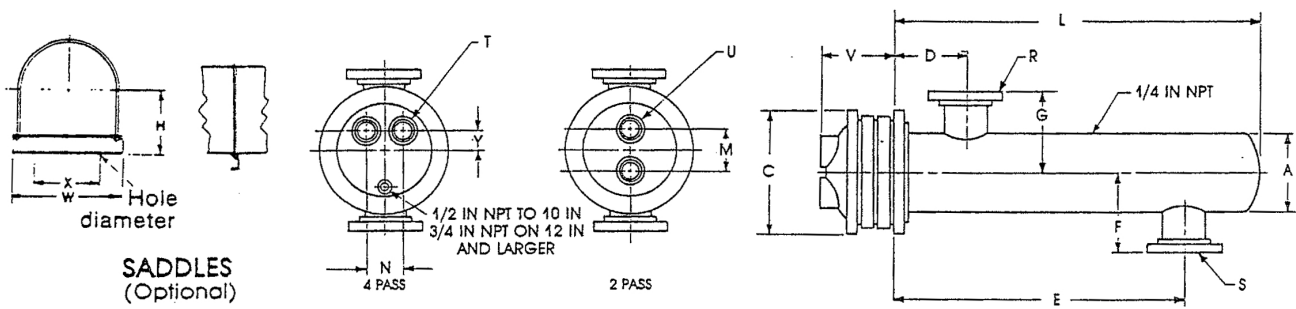
4" Diameter Liquid

SUPERSEDES: NEW

EFFECTIVE 1/2/91

Item No	Model No	Pass	GPM Tubes	Temp. In	Temp. Out	P.D. Tubes	Vel. Tubes	GPM Shell	Temp. In	Temp. Out	P.D. Shell	Vel. Shell
---------	----------	------	-----------	----------	-----------	------------	------------	-----------	----------	-----------	------------	------------

Tube Fluid _____ Shell Fluid _____



DIMENSIONS: 4 Inch Diameter

Model Number		Cast Iron Heads						Dimensions (inches)									Heating Surface (sq. ft.)	Shipping Weight (lbs.)
2 Pass	4 Pass	2 Pass		4 Pass				2 and 4 Pass										
		M	U	N	T	Y	V	A	C	D	E	F	G	L	R	S		
G4204L	G4404L	2½	1½T	2¾	1T	7/8	3½	4½	9	5	19½	37/8	37/8	24½	1½T	1½T	9.2	76
G4206L	G4406L	2½	1½T	2¾	1T	7/8	3½	4½	9	5	31½	37/8	37/8	36½	1½T	1½T	14.0	86
G4208L	G4408L	2½	1½T	2¾	1T	7/8	3½	4½	9	5	43½	37/8	37/8	48½	1½T	1½T	18.6	95
G4210L	G4410L	2½	1½T	2¾	1T	7/8	3½	4½	9	5	55½	37/8	37/8	60½	1½T	1½T	23.4	105
G4212L	G4412L	2½	1½T	2¾	1T	7/8	3½	4½	9	5	67½	37/8	37/8	72½	1½T	1½T	28.2	115
G4214L	G4414L	2½	1½T	2¾	1T	7/8	3½	4½	9	5	79½	37/8	37/8	84½	1½T	1½T	32.8	125
G4216L	G4416L	2½	1½T	2¾	1T	7/8	3½	4½	9	5	91½	37/8	37/8	96½	1½T	1½T	37.6	135
G4218L	G4418L	2½	1½T	2¾	1T	7/8	3½	4½	9	5	103½	37/8	37/8	108½	1½T	1½T	42.2	145
G4220L	G4420L	2½	1½T	2¾	1T	7/8	3½	4½	9	5	115½	37/8	37/8	120½	1½T	1½T	47.0	155

SADDLE DIMENSIONS: H-5¼; W-6¹⁵/₁₆; X-5½; Hole Dia.-½

MATERIALS OF CONSTRUCTION (Unless otherwise indicated, standard will be furnished.)

	Standard	Optional
Shell	Steel	304ss
Head	Cast Iron 4"-10" Fabricated Steel 12"	Fabricated Steel, Fabricated 304ss
Tubes	3/4" Double Wall Copper Enhanced Heating Surface	
Tube Sheet	Steel	304ss
Separators	Steel	304ss
Working Pressure	150 PSIG (ASME)	
Maximum Temperature	375°F	
	Visual Leak Detection	

All dimensions shown are subject to change and should not be used for pre-piping. Contact your local Taco representative should certified dimensional drawings be required.

Do it Once. Do it Right.

Taco Inc., 1160 Cranston Street, Cranston, RI 02920 Telephone: (401) 942-8000 Fax: 942-2360
 Taco (Canada), Ltd., 6180 Ordan Drive, Mississauga, Ontario L5T 2B3 Telephone: (905) 564-9422 Fax: (905) 564-9436
 Visit our website at: www.taco-hvac.com

Printed in USA
 Copyright 2007
 TACO, Inc.