

Double Wall Heat Exchangers

20" DIAMETER LIQUID

SUPERSEDES: AUGUST 1, 2009

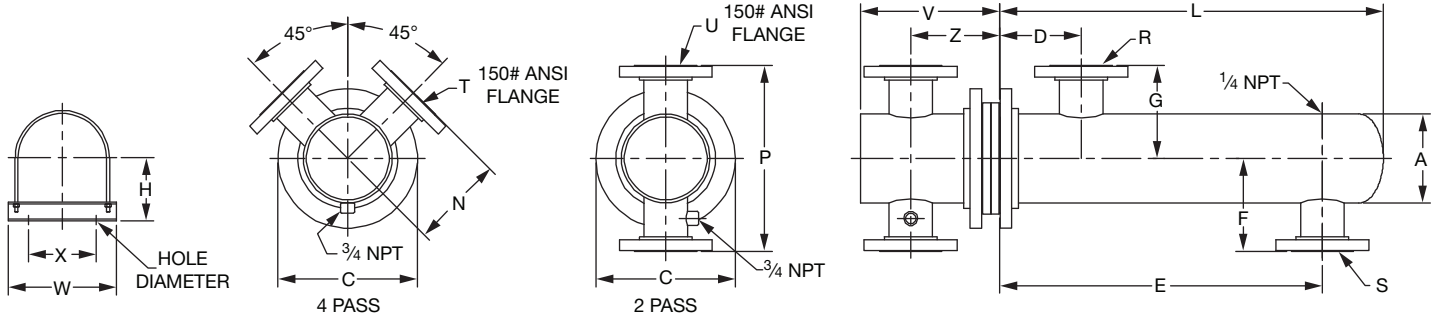
EFFECTIVE: JUNE 1, 2010

Job: _____

Item No.	Model No.	Pass	GPM Tubes	Temp. In	Temp. Out	P.D. Tubes	Vel. Tubes	GPM Shell	Temp. In	Temp. Out	P.D. Shell	Vel. Shell

Tube Fluid: _____

Shell Fluid: _____



DIMENSIONS – 20 Inch Diameter

* Dimensions are ANSI. For TEMA, consult factory.

Model Number		Fabricated Steel Heads								Dimensions (inches)								Heating Surface (Sq. Ft.)	Shipping Weight (Lbs.)	
2 Pass	4 Pass	2 Pass				4 Pass				2 Pass and 4 Pass										
		P	U	V	Z	N	T	V	Z	A	C*	D	E	F	G	L	R			S
G20208LD	G20408LD	32½	6F	21⅞	16⅞	16¼	4F	21⅞	15⅞	20	27½	11¼	35	16½	16½	48¾	10F	10F	341.3	1665
G20210LD	G20410LD	32½	6F	21⅞	16⅞	16¼	4F	21⅞	15⅞	20	27½	11¼	47	16½	16½	60¾	10F	10F	456.6	1934
G20212LD	G20412LD	32½	6F	21⅞	16⅞	16¼	4F	21⅞	15⅞	20	27½	11¼	59	16½	16½	72¾	10F	10F	589.9	2205
G20214LD	G20414LD	32½	6F	21⅞	16⅞	16¼	4F	21⅞	15⅞	20	27½	11¼	71	16½	16½	84¾	10F	10F	714.3	2474
G20216LD	G20416LD	32½	6F	21⅞	16⅞	16¼	4F	21⅞	15⅞	20	27½	11¼	83	16½	16½	96¾	10F	10F	838.6	2744
G20218LD	G20418LD	32½	6F	21⅞	16⅞	16¼	4F	21⅞	15⅞	20	27½	11¼	95	16½	16½	108¾	10F	10F	962.9	3028
G20220LD	G20420LD	32½	6F	21⅞	16⅞	16¼	4F	21⅞	15⅞	20	27½	11¼	107	16½	16½	120¾	10F	10F	1087.5	3299

SADDLE DIMENSIONS (Inches): H - 14, W - 23, X - 14, Hole Diameter - ¾

All dimensions shown are subject to change and should not be used for pre-piping. Contact your local Taco representative should certified dimensional drawings be required.

MATERIALS OF CONSTRUCTION (Unless otherwise indicated, standard will be furnished.)

	Standard	Optional
Shell	Steel	304ss
Head	Cast Iron 4"-10", Fabricated Steel 12"-20"	Fabricated Steel, Fabricated 304ss
Tubes	¾" Double Wall Copper Enhanced Heating Surface	
Tube Sheet	Steel	304ss
Separators	Steel	304ss
Working Pressure	150 PSIG (ASME)	
Maximum Temperature	375°F	
	Visual Leak Detection	

