

## Double Wall Heat Exchangers

18" DIAMETER LIQUID

SUPERSEDES: AUGUST 1, 2009

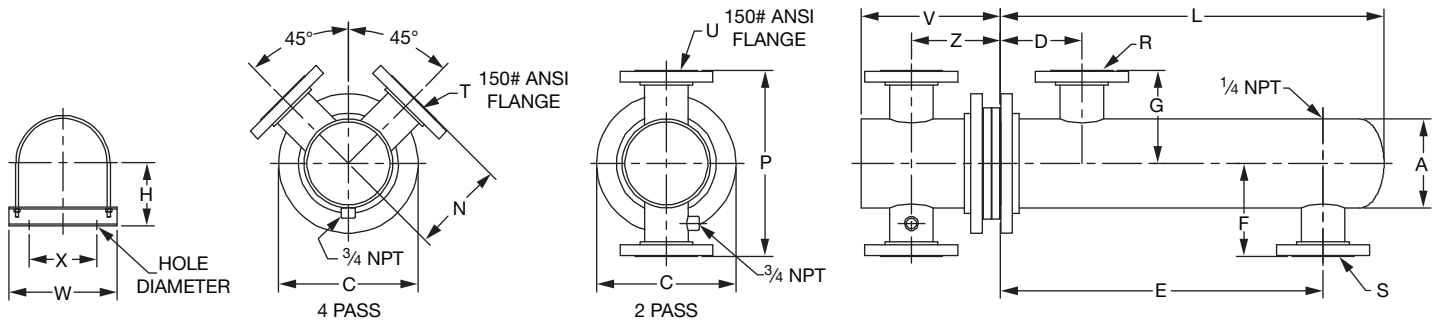
EFFECTIVE: JUNE 1, 2010

Job: \_\_\_\_\_

Item No.	Model No.	Pass	GPM Tubes	Temp. In	Temp. Out	P.D. Tubes	Vel. Tubes	GPM Shell	Temp. In	Temp. Out	P.D. Shell	Vel. Shell

Tube Fluid: \_\_\_\_\_

Shell Fluid: \_\_\_\_\_



### DIMENSIONS – 18 Inch Diameter

\* Dimensions are ANSI. For TEMA, consult factory.

Model Number		Fabricated Steel Heads								Dimensions (inches)								Heating Surface (Sq. Ft.)	Shipping Weight (Lbs.)	
2 Pass	4 Pass	2 Pass				4 Pass				2 Pass and 4 Pass										
		P	U	V	Z	N	T	V	Z	A	C*	D	E	F	G	L	R	S		
G18206LD	G18406LD	30	6F	20 <sup>3</sup> / <sub>4</sub>	15 <sup>1</sup> / <sub>4</sub>	15	4F	20 <sup>3</sup> / <sub>4</sub>	14	18	25	10	24 <sup>1</sup> / <sub>4</sub>	15 <sup>1</sup> / <sub>4</sub>	15 <sup>1</sup> / <sub>4</sub>	36 <sup>1</sup> / <sub>2</sub>	8F	8F	272.2	1283
G18208LD	G18408LD	30	6F	20 <sup>3</sup> / <sub>4</sub>	15 <sup>1</sup> / <sub>4</sub>	15	4F	20 <sup>3</sup> / <sub>4</sub>	14	18	25	10	36 <sup>1</sup> / <sub>4</sub>	15 <sup>1</sup> / <sub>4</sub>	15 <sup>1</sup> / <sub>4</sub>	48 <sup>1</sup> / <sub>2</sub>	8F	8F	368.6	1551
G18210LD	G18410LD	30	6F	20 <sup>3</sup> / <sub>4</sub>	15 <sup>1</sup> / <sub>4</sub>	15	4F	20 <sup>3</sup> / <sub>4</sub>	14	18	25	10	48 <sup>1</sup> / <sub>4</sub>	15 <sup>1</sup> / <sub>4</sub>	15 <sup>1</sup> / <sub>4</sub>	60 <sup>1</sup> / <sub>2</sub>	8F	8F	465.2	1817
G18212LD	G18412LD	30	6F	20 <sup>3</sup> / <sub>4</sub>	15 <sup>1</sup> / <sub>4</sub>	15	4F	20 <sup>3</sup> / <sub>4</sub>	14	18	25	10	60 <sup>1</sup> / <sub>4</sub>	15 <sup>1</sup> / <sub>4</sub>	15 <sup>1</sup> / <sub>4</sub>	72 <sup>1</sup> / <sub>2</sub>	8F	8F	561.6	2087
G18214LD	G18414LD	30	6F	20 <sup>3</sup> / <sub>4</sub>	15 <sup>1</sup> / <sub>4</sub>	15	4F	20 <sup>3</sup> / <sub>4</sub>	14	18	25	10	72 <sup>1</sup> / <sub>4</sub>	15 <sup>1</sup> / <sub>4</sub>	15 <sup>1</sup> / <sub>4</sub>	84 <sup>1</sup> / <sub>2</sub>	8F	8F	658.3	2333
G18216LD	G18416LD	30	6F	20 <sup>3</sup> / <sub>4</sub>	15 <sup>1</sup> / <sub>4</sub>	15	4F	20 <sup>3</sup> / <sub>4</sub>	14	18	25	10	84 <sup>1</sup> / <sub>4</sub>	15 <sup>1</sup> / <sub>4</sub>	15 <sup>1</sup> / <sub>4</sub>	96 <sup>1</sup> / <sub>2</sub>	8F	8F	754.7	2601
G18218LD	G18418LD	30	6F	20 <sup>3</sup> / <sub>4</sub>	15 <sup>1</sup> / <sub>4</sub>	15	4F	20 <sup>3</sup> / <sub>4</sub>	14	18	25	10	96 <sup>1</sup> / <sub>4</sub>	15 <sup>1</sup> / <sub>4</sub>	15 <sup>1</sup> / <sub>4</sub>	108 <sup>1</sup> / <sub>2</sub>	8F	8F	851.3	2869
G18220LD	G18420LD	30	6F	20 <sup>3</sup> / <sub>4</sub>	15 <sup>1</sup> / <sub>4</sub>	15	4F	20 <sup>3</sup> / <sub>4</sub>	14	18	25	10	108 <sup>1</sup> / <sub>4</sub>	15 <sup>1</sup> / <sub>4</sub>	15 <sup>1</sup> / <sub>4</sub>	120 <sup>1</sup> / <sub>2</sub>	8F	8F	947.3	3137

SADDLE DIMENSIONS (Inches): H - 13, W - 21, X - 14, Hole Diameter - 3/4

All dimensions shown are subject to change and should not be used for pre-piping. Contact your local Taco representative should certified dimensional drawings be required.

MATERIALS OF CONSTRUCTION (Unless otherwise indicated, standard will be furnished.)

	Standard	Optional
Shell	Steel	304ss
Head	Cast Iron 4"-10", Fabricated Steel 12"-20"	Fabricated Steel, Fabricated 304ss
Tubes	3/4" Double Wall Copper Enhanced Heating Surface	
Tube Sheet	Steel	304ss
Separators	Steel	304ss
Working Pressure	150 PSIG (ASME)	
Maximum Temperature	375°F	
	Visual Leak Detection	

