

Double Wall Heat Exchangers

16" DIAMETER LIQUID

SUPERSEDES: AUGUST 1, 2009

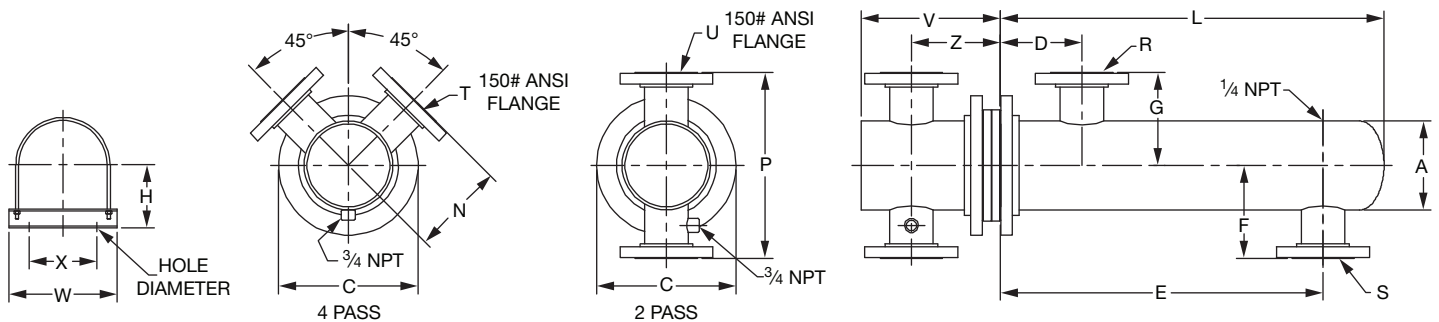
EFFECTIVE: JUNE 1, 2010

Job: _____

Item No.	Model No.	Pass	GPM Tubes	Temp. In	Temp. Out	P.D. Tubes	Vel. Tubes	GPM Shell	Temp. In	Temp. Out	P.D. Shell	Vel. Shell

Tube Fluid: _____

Shell Fluid: _____



DIMENSIONS – 16 Inch Diameter

* Dimensions are ANSI. For TEMA, consult factory.

Model Number		Fabricated Steel Heads								Dimensions (inches)								Heating Surface (Sq. Ft.)	Shipping Weight (Lbs.)	
2 Pass	4 Pass	2 Pass				4 Pass				2 Pass and 4 Pass										
		P	U	V	Z	N	T	V	Z	A	C*	D	E	F	G	L	R	S		
G16206LD	G16406LD	28½	6F	19¾	14¼	14¼	4F	19¾	13	16	23½	9¾	25½	14½	14½	37	8F	8F	217.6	1042
G16208LD	G16408LD	28½	6F	19¾	14¼	14¼	4F	19¾	13	16	23½	9¾	37½	14½	14½	49	8F	8F	294.5	1259
G16210LD	G16410LD	28½	6F	19¾	14¼	14¼	4F	19¾	13	16	23½	9¾	49½	14½	14½	61	8F	8F	371.4	1476
G16212LD	G16412LD	28½	6F	19¾	14¼	14¼	4F	19¾	13	16	23½	9¾	61½	14½	14½	73	8F	8F	448.4	1698
G16214LD	G16414LD	28½	6F	19¾	14¼	14¼	4F	19¾	13	16	23½	9¾	73½	14½	14½	85	8F	8F	525.2	1879
G16216LD	G16416LD	28½	6F	19¾	14¼	14¼	4F	19¾	13	16	23½	9¾	85½	14½	14½	97	8F	8F	602.0	2096
G16218LD	G16418LD	28½	6F	19¾	14¼	14¼	4F	19¾	13	16	23½	9¾	97½	14½	14½	109	8F	8F	678.9	2314
G16220LD	G16420LD	28½	6F	19¾	14¼	14¼	4F	19¾	13	16	23½	9¾	109½	14½	14½	121	8F	8F	755.9	2530

SADDLE DIMENSIONS (Inches): H - 12, W - 19, X - 13, Hole Diameter - ¾

All dimensions shown are subject to change and should not be used for pre-piping. Contact your local Taco representative should certified dimensional drawings be required.

MATERIALS OF CONSTRUCTION (Unless otherwise indicated, standard will be furnished.)

	Standard	Optional
Shell	Steel	304ss
Head	Cast Iron 4"-10", Fabricated Steel 12"-20"	Fabricated Steel, Fabricated 304ss
Tubes	¾" Double Wall Copper Enhanced Heating Surface	
Tube Sheet	Steel	304ss
Separators	Steel	304ss
Working Pressure	150 PSIG (ASME)	
Maximum Temperature	375°F	
	Visual Leak Detection	

