

## Double Wall Heat Exchangers

14" DIAMETER LIQUID

SUPERSEDES: AUGUST 1, 2009

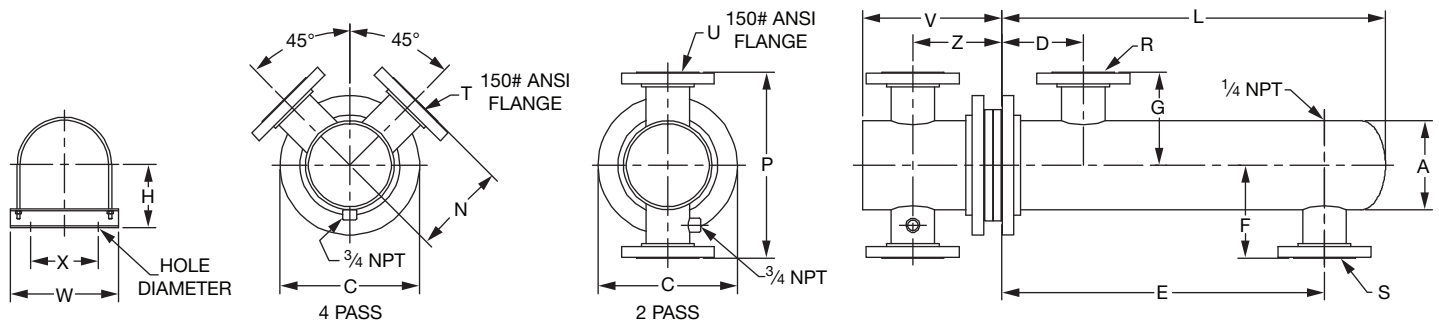
EFFECTIVE: JUNE 1, 2010

Job: \_\_\_\_\_

Item No.	Model No.	Pass	GPM Tubes	Temp. In	Temp. Out	P.D. Tubes	Vel. Tubes	GPM Shell	Temp. In	Temp. Out	P.D. Shell	Vel. Shell

Tube Fluid: \_\_\_\_\_

Shell Fluid: \_\_\_\_\_



### DIMENSIONS – 14 Inch Diameter

\* Dimensions are ANSI. For TEMA, consult factory.

Model Number		Fabricated Steel Heads								Dimensions (inches)								Heating Surface (Sq. Ft.)	Shipping Weight (Lbs.)	
2 Pass	4 Pass	2 Pass				4 Pass				2 Pass and 4 Pass										
		P	U	V	Z	N	T	V	Z	A	C*	D	E	F	G	L	R	S		
G14206LD	G14406LD	26	6F	18¼	13	13	4F	18¼	12¼	14	21	8½	27½	13¼	13¼	37¼	6F	6F	157.6	787
G14208LD	G14408LD	26	6F	18¼	13	13	4F	18¼	12¼	14	21	8½	39½	13¼	13¼	49¼	6F	6F	213.2	956
G14210LD	G14410LD	26	6F	18¼	13	13	4F	18¼	12¼	14	21	8½	51½	13¼	13¼	61¼	6F	6F	268.8	1122
G14212LD	G14412LD	26	6F	18¼	13	13	4F	18¼	12¼	14	21	8½	63½	13¼	13¼	73¼	6F	6F	324.5	1286
G14214LD	G14414LD	26	6F	18¼	13	13	4F	18¼	12¼	14	21	8½	75½	13¼	13¼	85¼	6F	6F	380.0	1449
G14216LD	G14416LD	26	6F	18¼	13	13	4F	18¼	12¼	14	21	8½	87½	13¼	13¼	97¼	6F	6F	435.7	1614
G14218LD	G14418LD	26	6F	18¼	13	13	4F	18¼	12¼	14	21	8½	99½	13¼	13¼	109¼	6F	6F	491.5	1778
G14220LD	G14420LD	26	6F	18¼	13	13	4F	18¼	12¼	14	21	8½	111½	13¼	13¼	121¼	6F	6F	547.0	1943

SADDLE DIMENSIONS (Inches): H - 11, W - 17, X - 12, Hole Diameter - ¾

All dimensions shown are subject to change and should not be used for pre-piping. Contact your local Taco representative should certified dimensional drawings be required.

MATERIALS OF CONSTRUCTION (Unless otherwise indicated, standard will be furnished.)

	Standard	Optional
Shell	Steel	304ss
Head	Cast Iron 4"-10", Fabricated Steel 12"-20"	Fabricated Steel, Fabricated 304ss
Tubes	¾" Double Wall Copper Enhanced Heating Surface	
Tube Sheet	Steel	304ss
Separators	Steel	304ss
Working Pressure	150 PSIG (ASME)	
Maximum Temperature	375°F	
	Visual Leak Detection	

