



Submittal Data Information

Double Wall Heat Exchangers

201-078

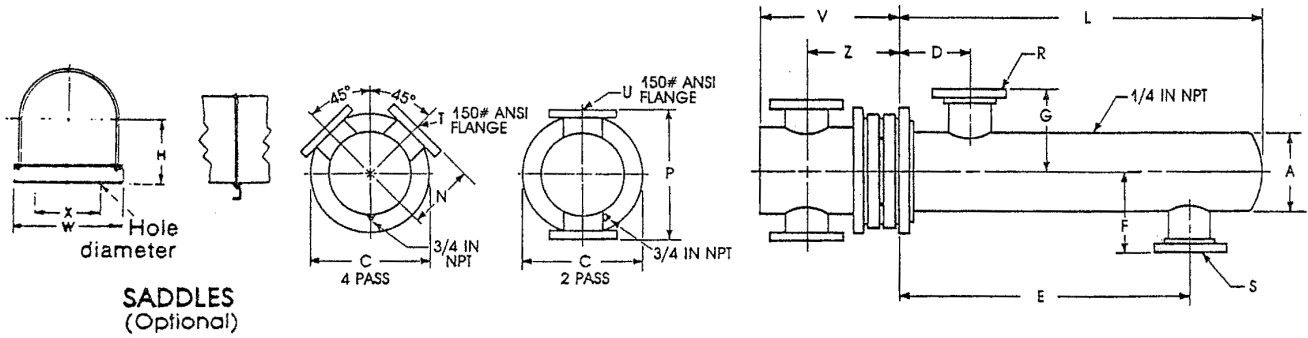
12" Diameter Liquid

SUPERSEDES: NEW

EFFECTIVE 1/2/91

Item No	Model No	Pass	GPM Tubes	Temp. In	Temp. Out	P.D. Tubes	Vel. Tubes	GPM Shell	Temp. In	Temp. Out	P.D. Shell	Vel. Shell

Tube Fluid _____ Shell Fluid _____



SADDLES (Optional)

DIMENSIONS: 12 Inch Diameter

Model Number		Fabricated Steel Heads				Dimensions (inches)											Heating Surface (sq. ft.)	Shipping Weight (lbs.)		
2 Pass	4 Pass	2 Pass		4 Pass		2 and 4 Pass														
		P	U	V	Z	N	T	V	Z	A	C	D	E	F	G	L	R	L		
G12206L	G12406L	24	4F	16	11 1/4	12	3F	16	11 1/2	12 3/4	19	8	27 1/4	12	12	36 1/4	5F	5F	117.2	589
G12208L	G12408L	24	4F	16	11 1/4	12	3F	16	11 1/2	12 3/4	19	8	39 1/4	12	12	48 1/4	5F	5F	158.0	675
G12210L	G12410L	24	4F	16	11 1/4	12	3F	16	11 1/2	12 3/4	19	8	51 1/4	12	12	60 1/4	5F	5F	199.0	760
G12212L	G12412L	24	4F	16	11 1/4	12	3F	16	11 1/2	12 3/4	19	8	63 1/4	12	12	72 1/4	5F	5F	239.8	851
G12214L	G12414L	24	4F	16	11 1/4	12	3F	16	11 1/2	12 3/4	19	8	75 1/4	12	12	84 1/4	5F	5F	280.6	936
G12216L	G12416L	24	4F	16	11 1/4	12	3F	16	11 1/2	12 3/4	19	8	87 1/4	12	12	96 1/4	5F	5F	321.6	1020
G12218L	G12418L	24	4F	16	11 1/4	12	3F	16	11 1/2	12 3/4	19	8	99 1/4	12	12	108 1/4	5F	5F	362.4	1106
G12220L	G12420L	24	4F	16	11 1/4	12	3F	16	11 1/2	12 3/4	19	8	111 1/4	12	12	120 1/4	5F	5F	403.2	1190

SADDLE DIMENSIONS: H-9 3/8; W-15 5/8; X-11; Hole Dia.-3/4

MATERIALS OF CONSTRUCTION (Unless otherwise indicated, standard will be furnished.)

	Standard	Optional
Shell	Steel	304ss
Head	Cast Iron 4"-10" Fabricated Steel 12"	Fabricated Steel, Fabricated 304ss
Tubes	3/4" Double Wall Copper Enhanced Heating Surface	
Tube Sheet	Steel	304ss
Separators	Steel	304ss
Working Pressure	150 PSIG (ASME)	
Maximum Temperature	375°F Visual Leak Detection	

All dimensions shown are subject to change and should not be used for pre-piping. Contact your local Taco representative should certified dimensional drawings be required.

Do it Once. Do it Right.

Taco Inc., 1160 Cranston Street, Cranston, RI 02920 Telephone: (401) 942-8000 Fax: 942-2360
 Taco (Canada), Ltd., 6180 Ordan Drive, Mississauga, Ontario L5T 2B3 Telephone: (905) 564-9422 Fax: (905) 564-9436
 Visit our website at: www.taco-hvac.com

Printed in USA
 Copyright 2007
 TACO, Inc.