



# Submittal Data Information

## Double Wall Heat Exchangers

201-077

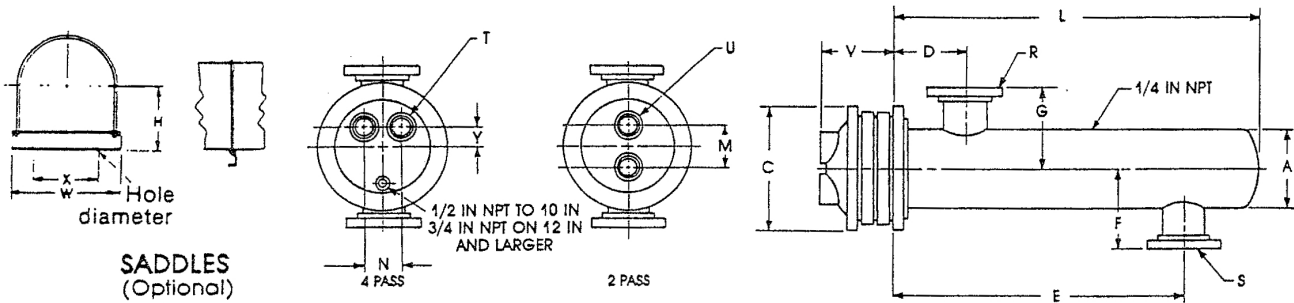
10" Diameter Liquid

SUPERSEDES: NEW

EFFECTIVE 1/2/91

| Item No | Model No | Pass | GPM Tubes | Temp. In | Temp. Out | P.D. Tubes | Vel. Tubes | GPM Shell | Temp. In | Temp. Out | P.D. Shell | Vel. Shell |
|---------|----------|------|-----------|----------|-----------|------------|------------|-----------|----------|-----------|------------|------------|
|---------|----------|------|-----------|----------|-----------|------------|------------|-----------|----------|-----------|------------|------------|

Tube Fluid \_\_\_\_\_ Shell Fluid \_\_\_\_\_



**DIMENSIONS: 10 Inch Diameter**

| Model Number |         | Cast Iron Heads |    |        |    | Dimensions (inches) |       |        |    |       |         |        |        |     |    |    | Heating Surface (sq. ft.) | Shipping Weight (lbs.) |
|--------------|---------|-----------------|----|--------|----|---------------------|-------|--------|----|-------|---------|--------|--------|-----|----|----|---------------------------|------------------------|
| 2 Pass       | 4 Pass  | 2 Pass          |    | 4 Pass |    | 2 and 4 Pass        |       |        |    |       |         |        |        |     |    |    |                           |                        |
|              |         | M               | U  | N      | T  | Y                   | V     | A      | C  | D     | E       | F      | G      | L   | R  | S  |                           |                        |
| G10204L      | G10404L | 6 1/4           | 3T | 5 1/2  | 3T | 2 1/4               | 5 1/8 | 10 3/4 | 16 | 7 1/4 | 16 1/2  | 10 1/2 | 10 1/2 | 24  | 4F | 4F | 53.6                      | 356                    |
| G10206L      | G10406L | 6 1/4           | 3T | 5 1/2  | 3T | 2 1/4               | 5 1/8 | 10 3/4 | 16 | 7 1/4 | 28 1/2  | 10 1/2 | 10 1/2 | 36  | 4F | 4F | 81.8                      | 409                    |
| G10208L      | G10408L | 6 1/4           | 3T | 5 1/2  | 3T | 2 1/4               | 5 1/8 | 10 3/4 | 16 | 7 1/4 | 40 1/2  | 10 1/2 | 10 1/2 | 48  | 4F | 4F | 110.0                     | 471                    |
| G10210L      | G10410L | 6 1/4           | 3T | 5 1/2  | 3T | 2 1/4               | 5 1/8 | 10 3/4 | 16 | 7 1/4 | 52 1/2  | 10 1/2 | 10 1/2 | 60  | 4F | 4F | 138.4                     | 532                    |
| G10212L      | G10412L | 6 1/4           | 3T | 5 1/2  | 3T | 2 1/4               | 5 1/8 | 10 3/4 | 16 | 7 1/4 | 64 1/2  | 10 1/2 | 10 1/2 | 72  | 4F | 4F | 166.6                     | 593                    |
| G10214L      | G10414L | 6 1/4           | 3T | 5 1/2  | 3T | 2 1/4               | 5 1/8 | 10 3/4 | 16 | 7 1/4 | 76 1/2  | 10 1/2 | 10 1/2 | 84  | 4F | 4F | 195.0                     | 654                    |
| G10216L      | G10416L | 6 1/4           | 3T | 5 1/2  | 3T | 2 1/4               | 5 1/8 | 10 3/4 | 16 | 7 1/4 | 88 1/2  | 10 1/2 | 10 1/2 | 96  | 4F | 4F | 223.2                     | 716                    |
| G10218L      | G10418L | 6 1/4           | 3T | 5 1/2  | 3T | 2 1/4               | 5 1/8 | 10 3/4 | 16 | 7 1/4 | 100 1/2 | 10 1/2 | 10 1/2 | 108 | 4F | 4F | 251.4                     | 777                    |
| G10220L      | G10420L | 6 1/4           | 3T | 5 1/2  | 3T | 2 1/4               | 5 1/8 | 10 3/4 | 16 | 7 1/4 | 112 1/2 | 10 1/2 | 10 1/2 | 120 | 4F | 4F | 279.8                     | 838                    |

SADDLE DIMENSIONS: H-8 3/8"; W-13 3/8"; X-10"; Hole Dia. - 3/4"

**MATERIALS OF CONSTRUCTION (Unless otherwise indicated, standard will be furnished.)**

|                     |  |                                    |
|---------------------|--|------------------------------------|
| Shell               | <b>Standard</b><br>Steel                         | <b>Optional</b><br>304ss           |
| Head                | Cast Iron 4"-10"<br>Fabricated Steel 12"         | Fabricated Steel, Fabricated 304ss |
| Tubes               | 3/4" Double Wall Copper Enhanced Heating Surface |                                    |
| Tube Sheet          | Steel  | 304ss                              |
| Separators          | Steel  | 304ss                              |
| Working Pressure    | 150 PSIG (ASME)                                  |                                    |
| Maximum Temperature | 375°F  |                                    |
|                     | Visual Leak Detection                            |                                    |

All dimensions shown are subject to change and should not be used for pre-piping. Contact your local Taco representative should certified dimensional drawings be required.

**Do it Once. Do it Right.**

Taco Inc., 1160 Cranston Street, Cranston, RI 02920 Telephone: (401) 942-8000 Fax: 942-2360

Taco (Canada), Ltd., 6180 Ordan Drive, Mississauga, Ontario L5T 2B3 Telephone: (905) 564-9422 Fax: (905) 564-9436

Visit our website at: [www.taco-hvac.com](http://www.taco-hvac.com)

Printed in USA  
Copyright 2007  
TACO, Inc.