

## Grooved In-Line Air Separator – 150 psi

SUPERSEDES: October 9, 2014

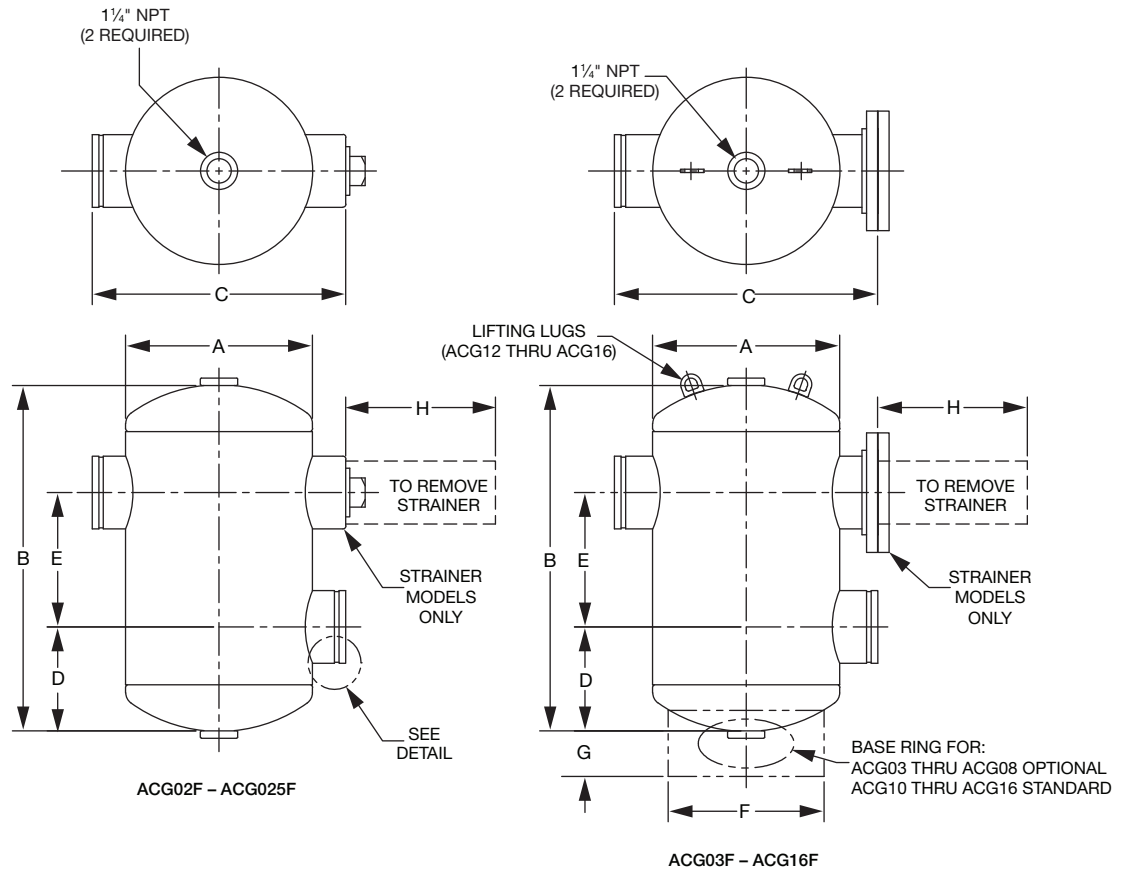
EFFECTIVE: November 24, 2015

Job: \_\_\_\_\_ Engineer: \_\_\_\_\_ Contractor: \_\_\_\_\_ Rep: \_\_\_\_\_

ITEM	LOCATION	MODEL	QUANTITY	SIZE
------	----------	-------	----------	------

### SPECIFICATIONS & OPTIONS

- Designed and constructed per ASME Code Section VIII, Division 1.
- Maximum Design Pressure and Operating Temperature: 150 psi @ 375°F
- Materials of Construction: Carbon Steel with optional 304SS Strainer
- Exterior Finish: Red Oxide Primer
- Larger sizes available. Please consult factory.



### SIZES & DIMENSIONS

All dimensions shown are subject to change and should not be used for pre-piping. Contact your local Taco representative should certified dimensional drawings be required.

PIPE SIZE	MODEL NUMBER		A DIA. (IN.)	B MAX. (IN.)	C (IN.)	D (IN.)	E (IN.)	F DIA. (IN.)	G (IN.)	H (IN.)	J (IN.)	K (IN.)	L (IN.)	OPTIM. FLOW (GPM)	STRAINER FREE AREA (INCH <sup>2</sup> )	C <sub>v</sub> FACTOR		APPROXIMATE DRY WEIGHT (LBS.)	
	LESS STRAINER	WITH STRAINER														LESS STRAINER	WITH STRAINER	LESS STRAINER	WITH STRAINER
2	ACG02-150	ACG02F-150	12	22 <sup>1</sup> / <sub>8</sub>	22	7 <sup>9</sup> / <sub>16</sub>	7	—	—	17	.625	.063	.313	80	31	86	72	40	45
2½	ACG025-150	ACG025F-150	12	22 <sup>1</sup> / <sub>8</sub>	22	7 <sup>9</sup> / <sub>16</sub>	7	—	—	17	.625	.078	.313	130	38	122	102	40	45
3	ACG03-150	ACG03F-150	14	27 <sup>1</sup> / <sub>4</sub>	24	8	11 <sup>1</sup> / <sub>4</sub>	12	6 <sup>3</sup> / <sub>4</sub>	22	.625	.078	.313	190	51	190	162	75	95
4	ACG04-150	ACG04F-150	16	31 <sup>3</sup> / <sub>8</sub>	26	9 <sup>5</sup> / <sub>16</sub>	12 <sup>3</sup> / <sub>4</sub>	12	7	24	.625	.083	.375	330	80	325	272	90	115
5	ACG05-150	ACG05F-150	16	32 <sup>1</sup> / <sub>2</sub>	26	9 <sup>5</sup> / <sub>16</sub>	13 <sup>3</sup> / <sub>4</sub>	12	7	24	.625	.084	.375	550	112	510	422	100	135
6	ACG06-150	ACG06F-150	20	36 <sup>7</sup> / <sub>8</sub>	30	11 <sup>1</sup> / <sub>16</sub>	14 <sup>3</sup> / <sub>4</sub>	16	6 <sup>3</sup> / <sub>4</sub>	27	.625	.085	.375	900	180	750	618	145	190
8	ACG08-150	ACG08F-150	20	45 <sup>1</sup> / <sub>2</sub>	30	14 <sup>1</sup> / <sub>16</sub>	17 <sup>3</sup> / <sub>8</sub>	16	6 <sup>3</sup> / <sub>4</sub>	27	.750	.092	.438	1500	246	1260	1060	225	300
10	ACG10-150	ACG10F-150	24	47 <sup>3</sup> / <sub>4</sub>	36	14 <sup>15</sup> / <sub>16</sub>	17 <sup>7</sup> / <sub>8</sub>	20	6 <sup>3</sup> / <sub>4</sub>	32	.750	.094	.500	2600	392	2000	1670	305	415
12	ACG12-150	ACG12F-150	30	59 <sup>3</sup> / <sub>4</sub>	42	17 <sup>5</sup> / <sub>8</sub>	24 <sup>1</sup> / <sub>2</sub>	24	7 <sup>7</sup> / <sub>8</sub>	37	.750	.109	.500	3400	548	2900	2400	470	645
14	ACG14-150	ACG14F-150	36	68 <sup>1</sup> / <sub>2</sub>	48	20 <sup>3</sup> / <sub>4</sub>	27	30	7 <sup>7</sup> / <sub>8</sub>	44	.938	.109	.500	4700	732	3500	2850	790	1020
16	ACG16-150	ACG16F-150	36	75 <sup>1</sup> / <sub>2</sub>	48	22 <sup>1</sup> / <sub>4</sub>	31	30	7 <sup>7</sup> / <sub>8</sub>	43	.938	.109	.500	6000	845	4600	3800	850	1130

COMMENTS: \_\_\_\_\_

