

SUPERSEDES: March 8, 2016

EFFECTIVE: March 15, 2016

JOB \_\_\_\_\_ ENGINEER \_\_\_\_\_ CONTRACTOR \_\_\_\_\_ REP. \_\_\_\_\_

ITEM NO.	LOCATION	MODEL NO.	QUANTITY	GPM
----------	----------	-----------	----------	-----

**SPECIFICATIONS**

- Designed and constructed per ASME Code Section VIII Div. 1
- Registered with the National Board of Pressure Vessel Manufacturers
- Standard Design Pressure and Temperature: 250 psi @ 240°F
- Construction: Carbon Steel with exterior red oxide primer finish
- 304 Stainless Steel Coalescence Pall Rings
- Taco 4900 units are designed to be self-supporting in the piping system. Factory review is necessary should any piping loads be present.

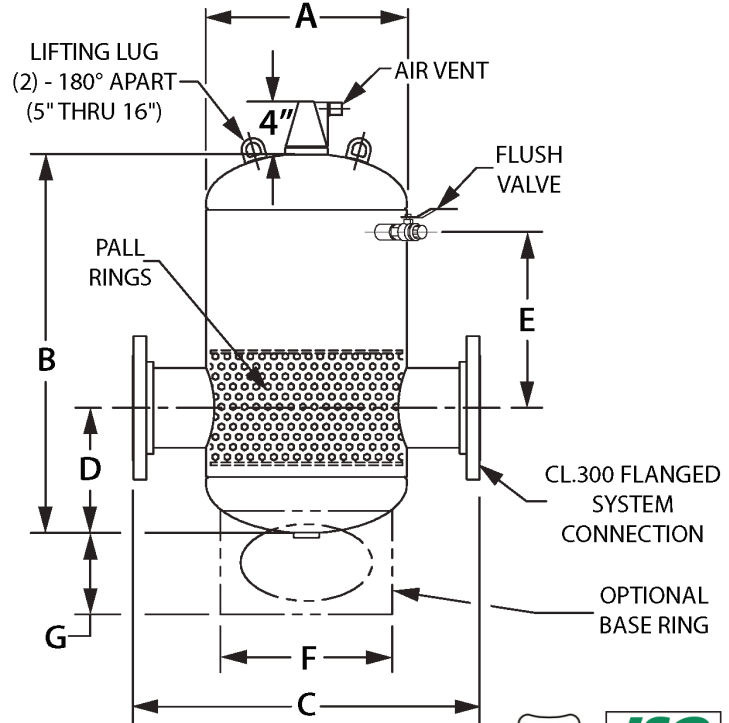
**CAUTION: LIFTING LUGS FOR RIGGING AND LIFTING USE ONLY, NOT FOR ANCHORING OR HANGING.**

**FACTORY INSTALLED**

- Air Vent is suitable for water, max. 50% glycol
- Flush Valve

**OPTIONS**

- Optional System Connection Sizes available
- Optional Base Ring
  - Add Suffix 'R' (4905 thru 4916) Exp. 4912AD-250R Not available (4902 thru 4904)
  - 300 PSI @ 2400F, Available



**SIZES & DIMENSIONS**

All dimensions shown are subject to change and should not be used for pre-piping. Contact your local Taco representative should certified dimensional drawings be required.

PIPE SIZE	MODEL NUMBER	A DIA. (INCH)	B MAX. (INCH)	C (INCH)	D (INCH)	E (INCH)	F DIA. (INCH)	G (INCH)	FLOW @ 2 PSI P.D.	APPROX. DRY WGT. (LBS)
2	4902AT-250	10	16½	12	7½	3⅞	-	-	51	50
2	4902A-250	10	16½	20	7½	3⅞	-	-	51	50
2½	49025AT-250	10	16½	12	7½	3⅞	-	-	73	60
2½	49025A-250	10	16½	20	7½	3⅞	-	-	73	60
3	4903AT-250	12	22⅛	14½	8½	7½	-	-	113	85
3	4903A-250	12	22⅛	12	8½	7½	-	-	113	85
4	4904A-250	12	22⅛	22	8½	7½	-	-	204	100
5	4905A-250	14	31	24	11¾	12	12	6¾	306	280
6	4906A-250	14	31	24	11¾	12	12	6¾	469	310
8	4908A-250	18	38⅜	28	14¼	16	14	7	816	440
10	4910A-250	24	49	36	17½	22	20	6¾	1291	820
12	4912A-250	24	56	36	18½	28	20	6¾	1837	950
14	4914A-250	30	62⅞	42	22½	29½	24	8	2106	1430
16	4916A-250	30	68⅝	42	22½	35¼	24	8	2790	1550

Comments: \_\_\_\_\_