

# More power to you.

INTRODUCING OUR NEW 0012 & 0013 3-SPEED CIRCULATORS



**Taco**<sup>®</sup>  
Do your **best work.**<sup>®</sup>

# Sleek on the outside.



## Applications

**The 0013 3-Speed pump** is specifically designed for the wide range of high flow / high head requirements of today's hydronic heating systems. Its 3-Speed switching capability provides fine tuning control to meet system design conditions. The 0013 3-Speed is a direct replacement for the Grundfos UPS 26-99 3-Speed. The 0013 delivers the highest starting torque in its class and includes a removable, uni-body Integral Flow Check (IFC) that prevents gravity flow, reduces installation costs and improves pump performance. The Stainless Steel 0013 should be used for open, potable water applications.



**The 0012 3-Speed pump** is a direct replacement for Grundfos, UPS43-44 3-Speed. Designed for high flow / low head applications. It's ideal for large BTU boilers, primary boiler loops and large recirculation systems. The Stainless Steel 0012 should be used for open, potable water applications.

# Powerful on the inside.

Taco's Family of 3-Speed pumps is growing, built to the same high quality standards Taco is famous for.

**Choose the new 0013-IFC 3-Speed Pump for heavy duty reliability & maximum versatility.**

From the powerful high performance motor to the rugged 3-speed switch, everything about the 0013-IFC 3-Speed says "heavy duty". With the highest starting torque in its class, this circulator delivers the perfect high flow / high head performance and fine tuning capabilities to satisfy the most demanding hydronics

system installer. Also available in Stainless Steel for potable water systems.

**The dependable 0012-IFC 3-Speed is a great choice too.**

Like its big brother, the 3-Speed 0012 is specially designed for high flow / low head systems. It's available in Cast Iron for heating applications or Stainless Steel for open potable water systems.

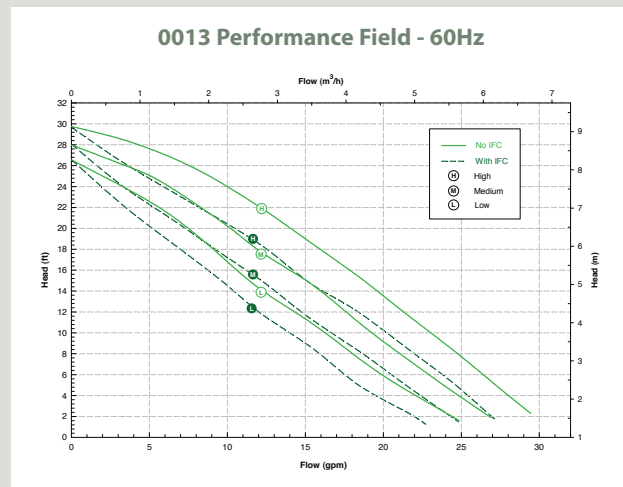
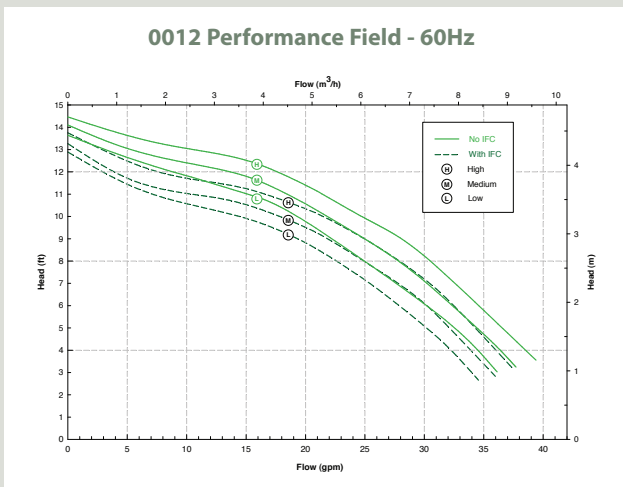
**Performance plus convenience.**

Both 3-speed circulators feature a removable, uni-body Integral Flow Check (IFC<sup>®</sup>) that maximizes flow and prevents

gravity flow – even in the tallest buildings. Wiring is a snap thanks to a new extra roomy, easy access capacitor box.

**Try one on for size.**

Whether you need a 00<sup>®</sup> circulator in a single speed, 3-Speed or variable speed, you can be sure that every Taco circulator is designed to help you do your best work. See our full line of 3-Speeds at [www.taco-hvac.com](http://www.taco-hvac.com) or stop by your wholesaler for a first-hand look.



**Taco**<sup>®</sup>  
Do your **best work.**<sup>®</sup>



# Submittal Data Information

## 3-Speed Circulators (0012-0013)

Submittal Data # 101-166  
Supersedes: New

Effective: 07/30/14

### Features

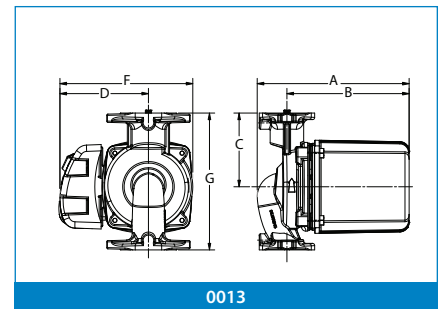
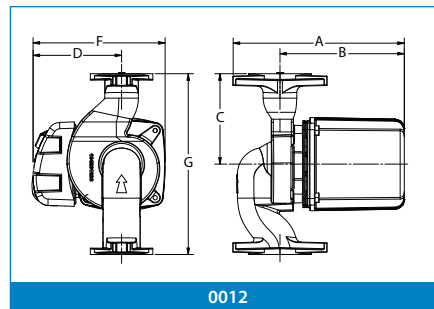
- 3-Speed Switch
- Fine tune to system requirements
- Highest performance & starting torque in class
- Heavy-Duty construction for longer life
- Removable high-flow Integral Flow Check (IFC)
  - Prevents gravity flow
  - Reduces installation costs
  - Improves pump performance
- Replaceable cartridge design
- Quiet, efficient operation
- Self lubricating, no mechanical seal
- Wide range of applications
- Cast Iron or St. Steel, flanged construction

### Pump Dimensions & Weights

Models	Type	Flange Code	A		B		C		D		F		G		Ship Wt.	
			in.	mm	in.	mm	in.	mm	in.	mm	in.	mm	in.	mm	lbs.	Kg
0012-MSF1-IFC	CI	S	8-1/8	206	5-7/8	150	4-1/4	107	4-1/4	107	6-1/4	159	8-1/2	214	12.5	5.7
0012-MSSF1-IFC	SS	S	8-1/8	206	5-7/8	150	4-1/4	107	4-1/4	107	6-1/4	159	8-1/2	214	12.0	5.4
0013-MSF1-IFC	CI	R	7-1/4	183	5-3/4	147	3-1/2	89	4-1/4	107	6-1/4	159	6-1/2	165	11.5	5.2
0013-MSSF1-IFC	SS	R	7-1/4	183	5-3/4	147	3-1/2	89	4-1/4	107	6-1/4	159	6-1/2	165	10.5	4.8

### Materials of Construction

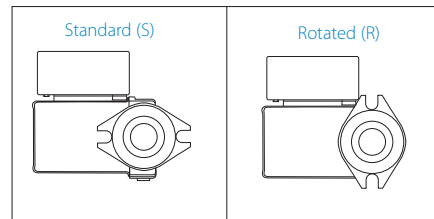
Casing:.....Cast Iron or St. Steel  
 Integral Flow Check (IFC):  
 Body, Plunger.....Acetal  
 O-ring Seal.....EPDM  
 Spring.....Stainless Steel  
 Stator Housing:.....Aluminum  
 Cartridge:.....Stainless Steel  
 Impeller:.....Non-Metallic  
 Shaft:.....Ceramic  
 Bearings:.....Ceramic  
 O-Ring & Gaskets:.....EPDM



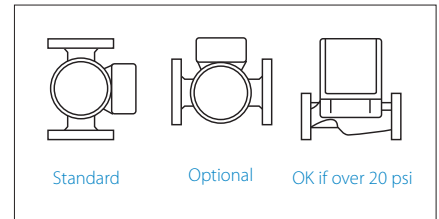
### Model Nomenclature

F – Cast Iron, Flanged  
 SS – Stainless Steel, Flanged  
 MS – Multi-Speed  
 IFC – Integral Flow Check

### Flange Orientation



### Mounting Positions



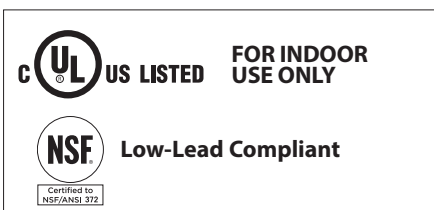
### Performance Data

	0012	0013
Max. Flow (GPM):	45	30
Max. Head (FT):	15	30
Min. Fluid Temperature:	40°F (4°C)	
Max. Fluid Temperature:	210°F (98°C)	
Max. Working Pressure:	125 psi	
Flanged Connection Sizes:	3/4", 1", 1-1/4", 1-1/2"	

### Electrical Data

Model	Volts	Hz	Ph	Amps	Watts			RPM (Speed 3)	HP
					Speed 1	Speed 2	Speed 3		
0012	115	60	1	1.60	150	170	200	3250	1/6
0013	115	60	1	2.15	195	220	260	3250	1/6
Motor Type	Permanent Split Capacitor Thermally Protected								

### Certifications & Listings



Taco Inc., 1160 Cranston Street, Cranston, RI 02920 / (401) 942-8000 / Fax (401) 942-2360  
 Taco (Canada) Ltd., 8450 Lawson Road, Unit #3, Milton, Ontario L9T 0J8 / (905) 564-9422 / Fax (905) 564-9436  
[www.taco-hvac.com](http://www.taco-hvac.com)