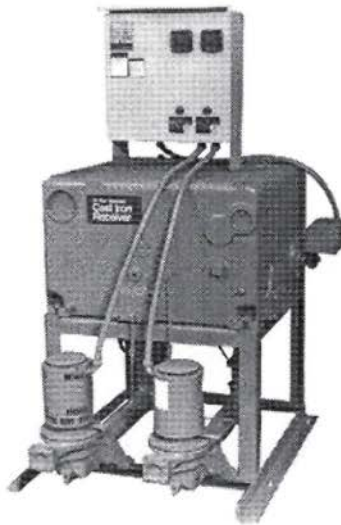




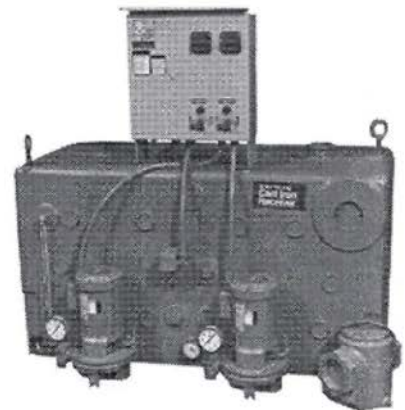
Replacement Parts for
Domestic® Pump/Hoffman Specialty®
Series CC, HC, CS, HS,
CB, CBE & SCC Stock Units



SERIES CB™ with
Optional Panel & Equipment



SERIES CBE™ with
Optional Panel & Equipment



SERIES CC™/HC™
with Optional Panel & Equipment

IMPORTANT

WHEN ORDERING REPLACEMENT PARTS OR MOTORS, PLEASE FURNISH ALL NAMEPLATE DATA



SAFETY INSTRUCTION



**CAUTION / DO NOT RUN DRY
SEAL DAMAGE MAY OCCUR**

Inspect pump seal regularly for leaks. Replace as required.

Failure to follow these instructions could result in injury or property damage.



CAUTION / DO NOT REVERSE

Reverse operation can cause extensive damage to pumps. Jog the motor to test for direction of rotation.

Failure to follow these instructions could result in injury or property damage.

- Pump models are noted on each unit nameplate and should be confirmed when using this Parts List. (Design changes may have affected pump selections.)
- For detailed pump parts information, refer to appropriate pump Parts List for C35 & C17 pumps or 2 ft. NPSH B35 pumps.
- For detailed panel parts information regarding units supplied with Consolitrol® Panels, consult current panel Parts List.

How to use this parts list	page 3
Typical Centriflo C-35 pump selections	page 4
Typical Centriflo C-17 pump selections	page 5
Typical 2 ft. NPSH B-35 pump selections	page 6
Drawing, Typical CC unit 6 and 9 Gallon CI Receiver	page 7
Drawing, Typical CC unit 14 Gallon CI Receiver	page 8
Drawing, Typical CC and CB unit 23 thru 120 Gallon CI Receiver	page 9
Drawing, Typical CC and CB unit 250 Gallon CI Receiver	page 10
Drawing, Typical CS unit 6, 9 and 14 Gallon Steel Receiver	page 11
Drawing, Typical CS unit 36-250 Gallon Steel Receiver	page 12
Drawing, Typical CBE unit with CI Receiver	page 13
6 & 9 Gallon Cast Iron Receiver Simplex Units	page 14
14 Gallon Cast Iron Receiver Simplex Unit	page 15
14 Gallon Cast Iron Receiver Duplex Unit	page 16
23 Gallon Cast Iron Receiver Simplex Unit	page 17
23 Gallon Cast Iron Receiver Duplex Unit	page 18
36 Gallon Cast Iron Receiver Simplex Unit	page 19
36 Gallon Cast Iron Receiver Duplex Unit	page 20
52 Gallon Cast Iron Receiver Simplex Unit	page 21
52 Gallon Cast Iron Receiver Duplex Unit	page 22
75 Gallon Cast Iron Receiver Simplex Unit	page 23
75 Gallon Cast Iron Receiver Duplex Unit	page 24
120 Gallon Cast Iron Receiver Simplex Unit	page 25
120 Gallon Cast Iron Receiver Duplex Unit	page 26
250 Gallon Cast Iron Receiver Simplex Unit	page 27
250 Gallon Cast Iron Receiver Duplex Unit	page 28
6 & 9 Gallon Steel Receiver Simplex Units	page 29
14 Gallon Steel Receiver Simplex Unit	page 30
14 Gallon Steel Receiver Duplex Unit	page 31
23 Gallon Steel Receiver Simplex Unit	page 32
23 Gallon Steel Receiver Duplex Unit	page 33
36 Gallon Steel Receiver Simplex Unit	page 34
36 Gallon Steel Receiver Duplex Unit	page 35
52 Gallon Steel Receiver Simplex Unit	page 36
52 Gallon Steel Receiver Duplex Unit	page 37
75 Gallon Steel Receiver Simplex Unit	page 38
75 Gallon Steel Receiver Duplex Unit	page 39
120 Gallon Steel Receiver Simplex Unit	page 40
120 Gallon Steel Receiver Duplex Unit	page 41
250 Gallon Steel Receiver Simplex Unit	page 42
250 Gallon Steel Receiver Duplex Unit	page 43
1-1/2" Suction Piping Detail	page 44
2" Suction Piping Detail	page 45
2-1/2" & 3" Suction Piping Detail	page 46
3" and 4" Suction Piping Detail	page 47
4" Suction Piping Detail	page 48
SCC 1 Unit (Pump selections noted on page 4)	Use Page 16
SCC 2A Unit (Pump selections noted on page 4)	Use Page 16
SCC 3B Unit (Pump selections noted on page 4)	Use Page 18
SCC 4A Unit (Pump selections noted on page 4)	Use Page 20

How to use this PARTS LIST

The nameplate identifies the unit by its model number and capacities are noted. Receiver sizes can be determined by consulting the factory with specific serial numbers or by comparing unit dimensions noted in the Representatives Submittal Book. Specific unit information is determined by identifying the model number, receiver size, pump combination and the motor horsepower (which is noted on the motor nameplate).

DOMESTIC™ or HOFFMAN		
SERIES TM		
MODEL		
SERIAL		
GPM	PSI	PUMP
POWER V.	PH.	HZ 60
CONTROL V.	PH. 1	HZ 60
TOTAL F.L. AMP.	LARGEST MOTOR F.L. AMP.	
Bell & Gossett		

The following procedure will result in proper parts selection:

1. Determine from the unit nameplate the unit model number and Serial Number.
2. Determine Receiver Size by consulting the factory with original unit Serial Number or refer to dimensional information detailed in the factory representatives Submittal Book.
3. Refer to the index to identify the appropriate page for parts selection based on receiver size and receiver material of construction.
4. Using the appropriate referenced drawings, identify parts.
5. For individual pump parts, consult original unit nameplate for pump identification or consult pump selection tables to identify the typical pump for a specified duty point. Individual pump parts should be selected from current appropriate pump parts lists or the ESP-Parts computer program, or by consulting the factory. For individual parts used in Consolitrol® Control Panels built after July 1, 1993, consult current replacement parts list for Control Panel parts.

Typical Pump Selection Tables For Series CC, HC, CS, HS, CB, CBE & SCC PARTS LIST

Pump GPM	Pump PSI	HP	C-35 Model#	Imp Part#	Diam.
6	15	1/3	609	DP0321	3-11/16
6	20	1/3	609	DP0321	3-11/16
6	25	1/2	616	DP0336	4-11/16
6	30	3/4	616	DP0336	4-3/8
6	40	1	617	DP0346	4-7/8
6	50	1-1/2	617	DP0346	5-7/16
6	60	2	620	DP3363	6
6	75	3	620	DP3363	6-5/8
6	90	5	620	DP3364	7-1/8
9	15	1/3	609	DP0321	3-11/16
9	20	1/3	609	DP0321	3-11/16
9	25	1/2	616	DP0336	4-3/16
9	30	3/4	616	DP0336	4-7/16
9	40	1	617	DP0346	5
9	50	1-1/2	617	DP0346	5-9/16
9	60	2	620	DP3363	6-1/8
9	75	3	620	DP3363	6-11/16
9	90	5	620	DP3364	7-3/16
12	15	1/3	609	DP0321	3-11/16
12	20	1/3	609	DP0321	3-11/16
12	25	1/2	616	DP0336	4-3/16
12	30	3/4	616	DP0336	4-7/16
12	40	1	617	DP0346	5
12	50	1-1/2	617	DP0346	5-1/2
12	60	2	620	DP3363	6-3/16
12	75	3	620	DP3363	6-3/4
12	90	5	620	DP3364	7-1/4
15	15	1/3	609	DP0321	3-11/16
15	20	1/3	609	DP0321	3-11/16
15	25	1/2	616	DP0336	4-1/8
15	30	3/4	616	DP0336	4-9/16
15	40	1	617	DP0346	5
15	50	1-1/2	617	DP0346	5-9/16
15	60	2	620	DP3363	6-1/8
15	75	3	620	DP3363	6-3/4
15	90	5	620	DP3364	7-3/8
22	15	1/3	609	DP0321	3-11/16
22	20	1/2	616	DP0336	3-11/16
22	25	3/4	616	DP0336	4-1/16
22	30	3/4	616	DP0336	4-3/8
22	40	1-1/2	617	DP0346	5
22	50	2	617	DP0346	5-7/16
22	60	3	620	DP3363	6-1/8
22	75	3	620	DP3363	6-3/4
22	90	5	620	DP3364	7-1/4

Shaded Pump Selections are typically supplied with discharge orifice (flow restrictor)

*** SCC unit capacities

Pump GPM	Pump PSI	HP	C-35 Model#	Imp Part#	Diam.
30	15	1/2	616	DP0336	3-7/16
30	20	3/4	616	DP0336	3-13/16
30	25	3/4	616	DP0336	4-1/8
30	30	1	616	DP0336	4-3/8
30	40	1-1/2	617	DP0346	5
30	50	2	617	DP0346	5-7/16
30	60	3	620	DP3363	6-1/4
30	75	5	620	DP3364	6-3/4
30	90	5	620	DP3364	7-3/16
37	15	1/2	616	DP0336	3-9/16
37	20	3/4	616	DP0336	3-7/8
37	25	1	616	DP0336	4-1/4
37	30	1-1/2	616	DP0336	4-1/2
37	40	2	617	DP0346	5-1/8
37	50	3	620	DP0400	5-1/2
37	60	3	620	DP3363	6
37	75	5	620	DP3364	6-5/8
37	90	5	620	DP3364	7-3/16
45	15	3/4	616	DP0336	3-11/16
45	20	1	616	DP0336	4
45	25	1	616	DP0336	4-5/16
45	30	1-1/2	616	DP0336	4-9/16
45	40	2	620	DP0346	5-1/4
45	50	3	620	DP0400	5-9/16
45	60	3	620	DP3363	6-1/16
45	75	5	620	DP3364	6-11/16
45	90	5	620	DP3364	7-1/4
60	15	1	626	DP0390	3-3/8
60	20	1-1/2	626	DP0390	3-11/16
60	25	1-1/2	626	DP0390	3-15/16
60	30	2	626	DP0390	4-1/4
60	40	3	627	DP0400	5-3/8
60	50	3	620	DP3363	5-3/4
60	60	5	620	DP3364	6-1/4
60	75	5	620	DP3364	6-7/8
60	90	7-1/2	620	DP3364	7-1/2
75	15	1-1/2	626	DP0390	3-1/2
75	20	1-1/2	626	DP0390	3-3/4
75	25	2	626	DP0390	4-1/8
75	30	2	626	DP0390	4-3/8
75	40	5	627	DP0400	5-9/16
75	50	5	620	DP3364	6-1/16
75	60	5	620	DP3364	6-1/2
75	75	7-1/2	620	DP3364	7-1/16
75	90	7-1/2	620	DP3364	7-9/16

Pump GPM	Pump PSI	HP	C-35 Model#	Imp Part#	Diam.
90	15	1-1/2	626	DP0390	3-5/8
90	20	2	626	DP0390	3-15/16
90	25	2	626	DP0390	4-1/4
90	30	3	626	DP0390	4-7/16
90	40	5	613	DP0314	5-5/16
90	50	5	618	DP0354	5-7/8
90	60	7-1/2	618	DP0354	6-3/8
90	75	7-1/2	618	DP0354	6-15/16
90	90	---	---	---	---
112	15	1-1/2	625	DP0380	3-7/16
112	20	2	625	DP0380	3-13/16
112	25	3	625	DP0382	4-1/16
112	30	3	625	DP0382	4-3/8
112	40	5	618	DP0354	5-3/4
112	50	5	618	DP0354	6-1/8
112	60	7-1/2	618	DP0354	6-9/16
112	75	10	618	DP0354	7-1/8
112	90	---	---	---	---
150	15	3	625	DP0382	3-11/16
150	20	3	625	DP0382	4
150	25	5	625	DP0384	4-1/4
150	30	5	625	DP0384	4-9/16
150	40	7-1/2	618	DP0354	6-1/8
150	50	7-1/2	618	DP0354	6-1/2
150	60	10	618	DP0352	6-15/16
150	75	10	618	DP0352	7-3/8
150	90	---	---	---	---

Typical Pump Selection Tables For Series CC, HC, CS, HS, CB, CBE & SCC PARTS LIST Using C17-1750 RPM Centriflo Pumps

Pump GPM	Pump PSI	HP	C17 MODEL#	IMP PART#	DIAM.
6	15	1/3	650	DP1964	6-3/16
6	20	1/2	650	DP1964	7
6	25	3/4	650	DP3363	7-9/16
6	30	1-1/2	673	DP3540	8-7/16
9	15	1/3	650	DP1964	6-3/16
9	20	1/2	650	DP1964	7
9	25	3/4	650	DP3363	7-9/16
9	30	1-1/2	673	DP3540	8-7/16
12	15	1/3	650	DP1964	6-3/16
12	20	1/2	650	DP3363	7
12	25	3/4	650	DP3363	7-9/16
12	30	1-1/2	673	DP3540	8-7/16
15	15	1/2	650	DP1964	6-3/16
15	20	3/4	650	DP3363	7
15	25	1	650	DP3363	7-9/16
15	30	1-1/2	673	DP3540	8-7/16
22	15	1/2	650	DP1964	6-1/8
22	20	3/4	650	DP3363	6-15/16
22	25	1	650	DP3363	7-9/16
22	30	1-1/2	673	DP3540	8-7/16
30	15	3/4	650	DP3363	6-5/16
30	20	3/4	650	DP3363	7-1/8
30	25	1-1/2	673	DP3540	7-13/16
30	30	1-1/2	673	DP3540	8-7/16
37	15	3/4	650	DP3363	6-1/2
37	20	1	650	DP3363	7-1/8
37	25	1-1/2	673	DP3540	7-13/16
37	30	1-1/2	673	DP3540	8-7/16

Pump GPM	Pump PSI	HP	C17 MODEL#	IMP PART#	DIAM.
45	15	3/4	650	DP3363	6-5/8
45	20	1	650	DP3363	7-7/16
45	25	1-1/2	673	DP3540	7-3/4
45	30	2	673	DP3540	8-1/2
60	15	1	651	DP0424	6-3/4
60	20	1-1/2	651	DP0424	7-9/16
60	25	1-1/2	673	DP3540	7-5/8
60	30	2	673	DP3540	8-1/2
75	15	1-1/2	651	DP0424	7-1/8
75	20	1-1/2	673	DP3540	7-1/8
75	25	2	673	DP3540	7-7/8
75	30	3	673	DP3540	8-9/16
90	15	1-1/2	651	DP0424	7-1/2
90	20	2	673	DP3540	7-1/4
90	25	2	673	DP3540	8
90	30	3	673	DP3540	8-5/8
112	15	2	673	DP3540	7-1/16
112	20	2	673	DP3540	7-9/16
112	25	3	673	DP3540	8-5/16
112	30	3	673	DP3540	8-3/4
150	15	2	654	DP0432	6-3/16
150	20	3	654	DP0432	6-13/16
150	25	5	654	DP0432	7-1/2
150	30	5	654	DP0432	8-1/16

Shaded Pump Selections are typically supplied with discharge orifice (flow restrictor)

Typical Pump Selection Tables For Series CB and CBE Using B35-3500 RPM Pumps

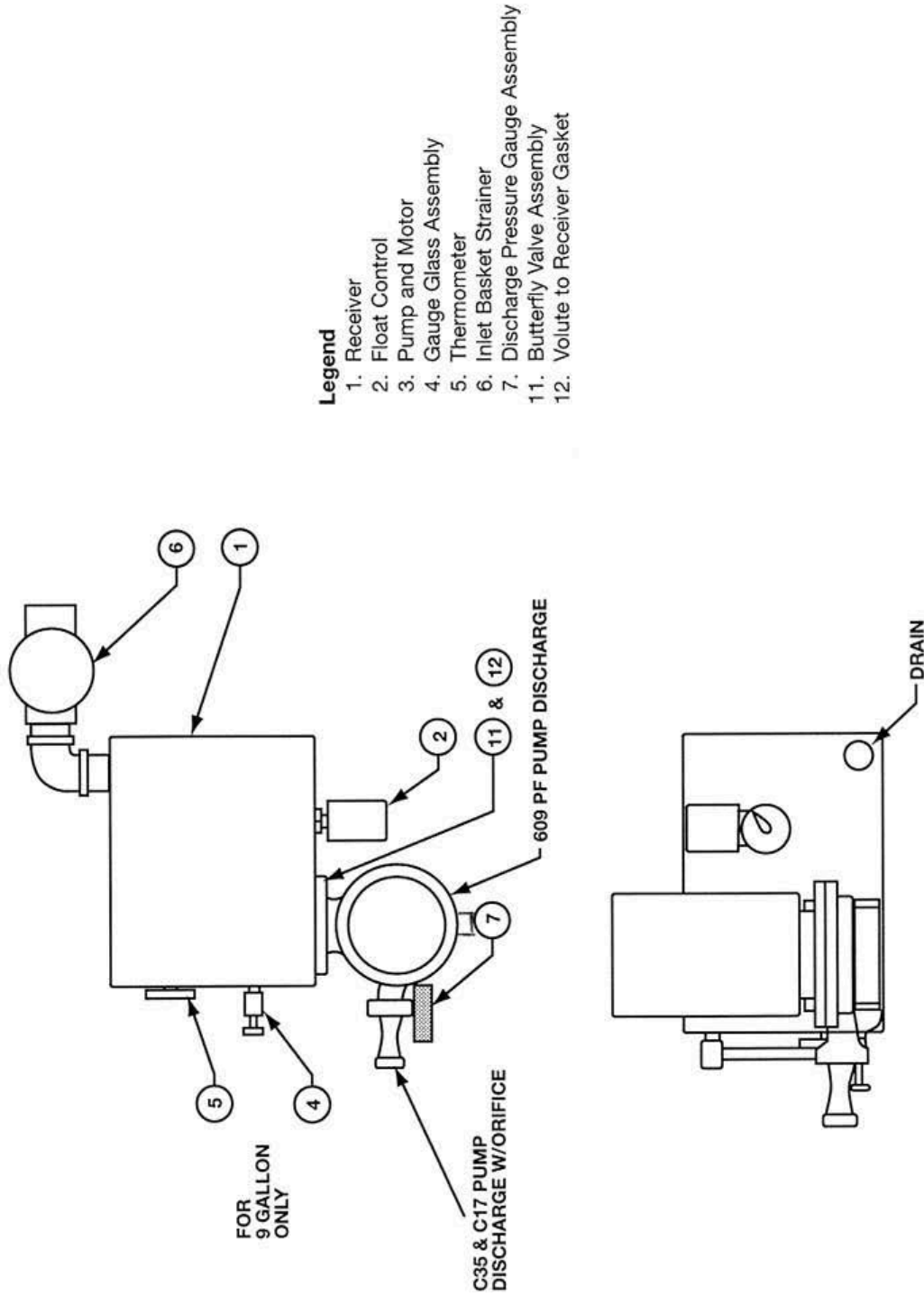
Pump GPM	Pump PSI	HP	B-35 Model#	Imp Part#	Diam.
9	15	1/3	616	DP0336	3-3/16
9	20	1/3	616	DP0336	3-3/8
9	25	1/2	616	DP0336	3-3/4
9	30	3/4	616	DP0336	4-1/4
9	40	1-1/2	617	DP0346	4-13/16
9	50	1-1/2	617	DP0346	5-3/8
9	60	3	620	DP3363	5-3/4
9	75	3	620	DP3363	6-7/16
9	85	5	620	DP3364	6-3/4
9	100	5	620	DP3364	7-7/16
12	15	1/3	616	DP0336	3-1/4
12	20	1/3	616	DP0336	3-5/16
12	25	1/2	616	DP0336	3-11/16
12	30	3/4	616	DP0336	4-1/8
12	40	1-1/2	617	DP0346	4-13/16
12	50	2	617	DP0346	5-3/8
12	60	3	620	DP3363	5-3/4
12	75	5	620	DP3364	6-7/16
12	85	5	620	DP3364	6-7/8
12	100	5	620	DP3364	7-7/16
15	15	1/3	616	DP0336	3-1/4
15	20	1/2	616	DP0336	3-3/8
15	25	3/4	616	DP0336	3-13/16
15	30	3/4	616	DP0336	4-3/16
15	40	1-1/2	617	DP0346	4-7/8
15	50	2	617	DP0346	5-7/16
15	60	3	620	DP3363	5-3/4
15	75	5	620	DP3364	6-1/2
15	85	5	620	DP3364	6-7/8
15	100	5	620	DP3364	7-7/16
22	15	1/2	616	DP0336	3-1/4
22	20	1/2	616	DP0336	3-7/16
22	25	3/4	616	DP0336	3-7/8
22	30	3/4	616	DP0336	4-3/16
22	40	1-1/2	617	DP0346	4-13/16
22	50	2	617	DP0346	5-7/16
22	60	3	620	DP3363	5-13/16
22	75	5	620	DP3364	6-9/16
22	85	5	620	DP3364	6-15/16
22	100	5	620	DP3364	7-7/16

Shaded Pump Selections are typically supplied with discharge orifice (flow restrictor)

Pump GPM	Pump PSI	HP	B-35 Model#	Imp Part#	Diam.
30	15	1/2	616	DP0336	3-3/16
30	20	3/4	616	DP0336	3-5/8
30	25	3/4	616	DP0336	4
30	30	1	616	DP0336	4-1/4
30	40	2	617	DP0346	4-15/16
30	50	3	617	DP0346	5-7/16
30	60	3	620	DP3363	5-13/16
30	75	5	620	DP3364	6-5/8
30	85	5	620	DP3364	7
30	100	7-1/2	620	DP3364	7-9/16
37	15	1/2	616	DP0336	3-5/16
37	20	3/4	616	DP0336	3-3/4
37	25	1	616	DP0336	4-3/16
37	30	1	616	DP0336	4-5/16
37	40	3	626	DP0392	4-9/16
37	50	3	620	DP3363	5-1/2
37	60	5	620	DP3364	5-7/8
37	75	5	620	DP3364	6-5/8
37	85	5	620	DP3364	7-1/16
37	100	7-1/2	620	DP3364	7-9/16
45	15	3/4	616	DP0336	3-5/8
45	20	3/4	616	DP0336	3-7/8
45	25	1	616	DP0336	4-3/16
45	30	1-1/2	616	DP0336	4-1/2
45	40	3	620	DP3363	5-1/8
45	50	3	620	DP3363	5-9/16
45	60	5	620	DP3364	6-1/8
45	75	5	620	DP3364	6-3/4
45	85	7-1/2	620	DP3364	7-1/8
45	100	7-1/2	620	DP3364	7-9/16
60	15	1-1/2	626	DP0390	3
60	20	1-1/2	626	DP0390	3-3/8
60	25	2	626	DP0390	3-13/16
60	30	2	626	DP0390	4-1/16
60	40	3	620	DP3363	5-3/8
60	50	5	620	DP3364	5-3/4
60	60	5	620	DP3364	6-1/4
60	75	7-1/2	620	DP3364	6-7/8
60	85	7-1/2	620	DP3364	7-1/4
60	100	7-1/2	620	DP3364	7-9/16

Pump GPM	Pump PSI	HP	B-35 Model#	Imp Part#	Diam.
75	15	1-1/2	626	DP0390	3-1/4
75	20	2	626	DP0390	3-9/16
75	25	2	626	DP0390	3-15/16
75	30	3	626	DP0392	4-3/16
75	40	5	613	DP0314	5
75	50	5	613	DP0314	5-7/16
75	60	7-1/2	618	DP0354	5-15/16
75	75	10	618	DP0352	6-9/16
75	85	10	618	DP0352	7
75	100	15	618	DP0352	7-1/2
90	15	1-1/2	626	DP0390	3-7/16
90	20	2	626	DP0390	3-3/4
90	25	3	626	DP0392	4-1/8
90	30	3	626	DP0392	4-3/8
90	40	5	613	DP0314	5-1/8
90	50	7-1/2	614	DP0326	5-3/8
90	60	7-1/2	618	DP0354	6
90	75	10	618	DP0352	6-7/8
90	85	10	618	DP0352	7-1/8
112	15	3	625	DP0382	3-1/8
112	20	3	625	DP0382	3-7/16
112	25	5	625	DP0384	3-11/16
112	30	5	625	DP0384	4-1/8
112	40	7-1/2	614	DP0326	5
112	50	7-1/2	614	DP0326	5-7/16
112	60	10	618	DP0352	6-1/4
112	75	10	618	DP0352	6-3/4
112	85	15	618	DP0352	7-3/8
140	25	5	614	DP0326	4-3/8
140	30	5	614	DP0326	4-5/8
140	40	7-1/2	614	DP0326	5
140	50	7-1/2	614	DP0326	5-3/8
140	60	10	618	DP0352	6-1/2
140	75	15	618	DP0352	7
140	85	15	618	DP0352	7-1/2

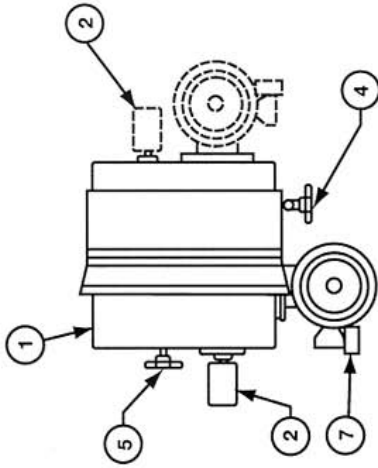
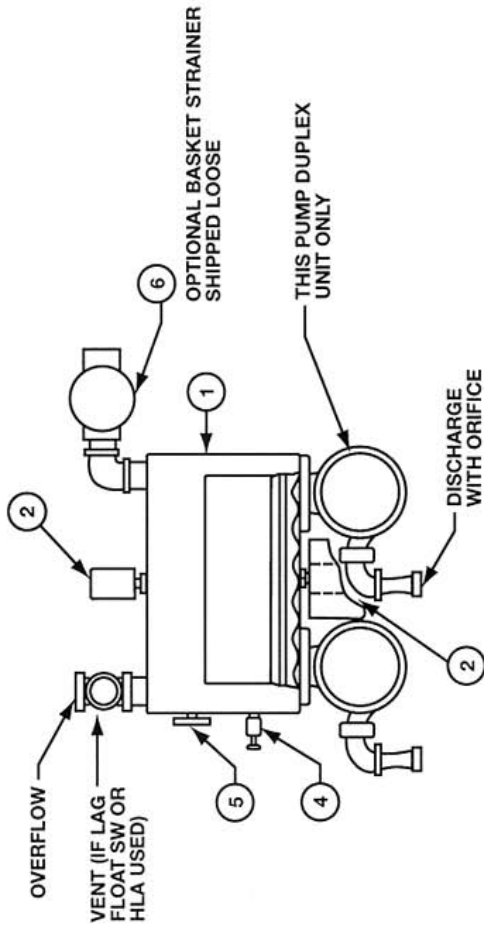
TYPICAL CC UNIT WITH 6 OR 9 GALLON RECEIVER



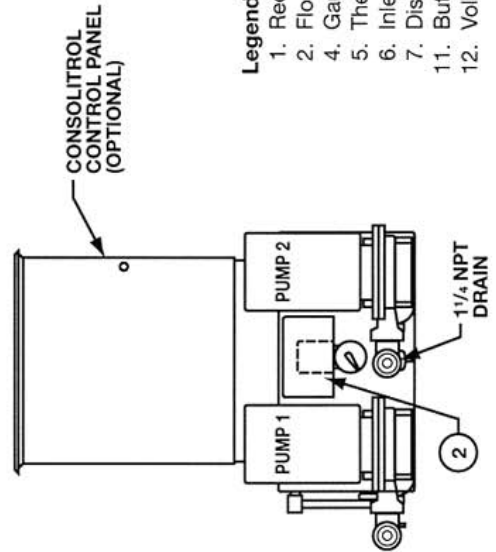
Legend

- 1. Receiver
- 2. Float Control
- 3. Pump and Motor
- 4. Gauge Glass Assembly
- 5. Thermometer
- 6. Inlet Basket Strainer
- 7. Discharge Pressure Gauge Assembly
- 11. Butterfly Valve Assembly
- 12. Volute to Receiver Gasket

TYPICAL 14 GALLON CAST IRON RECEIVER UNITS

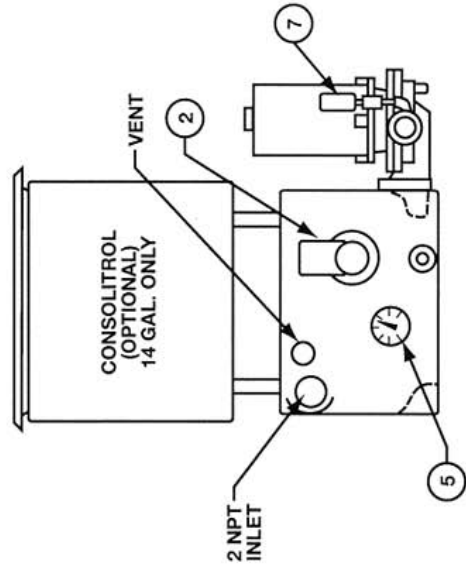


14 GALLON "B" DESIGN RECEIVER

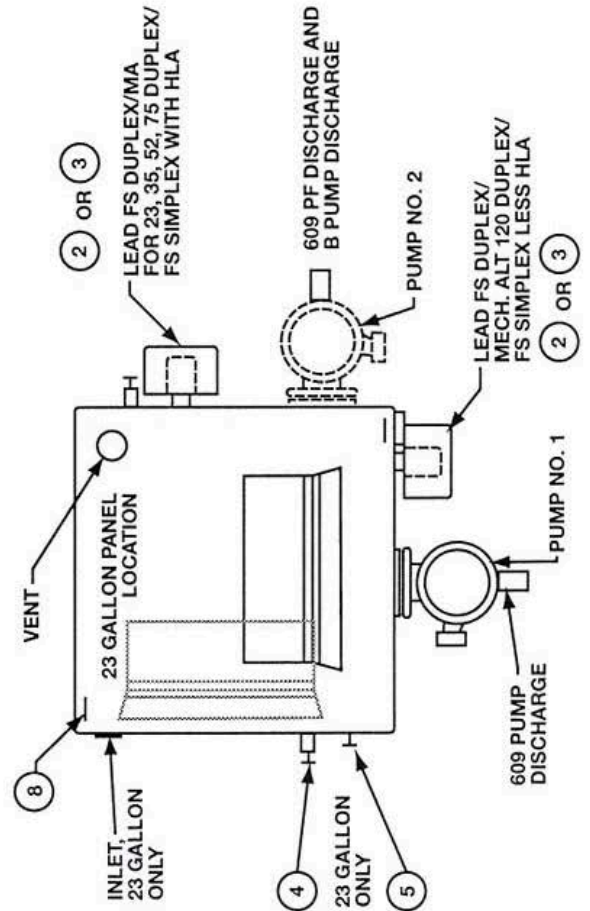
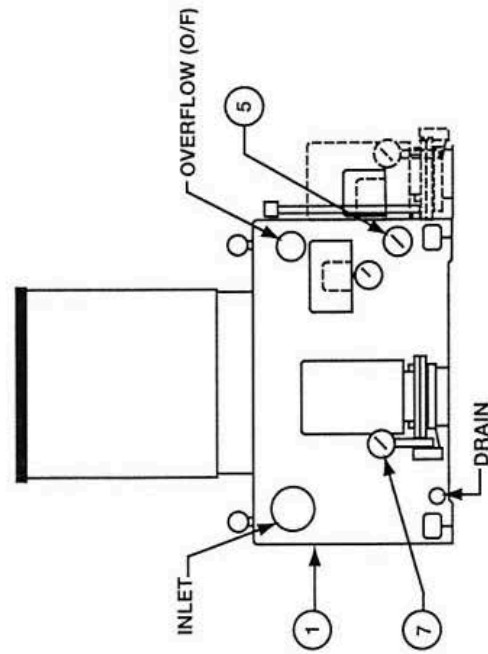
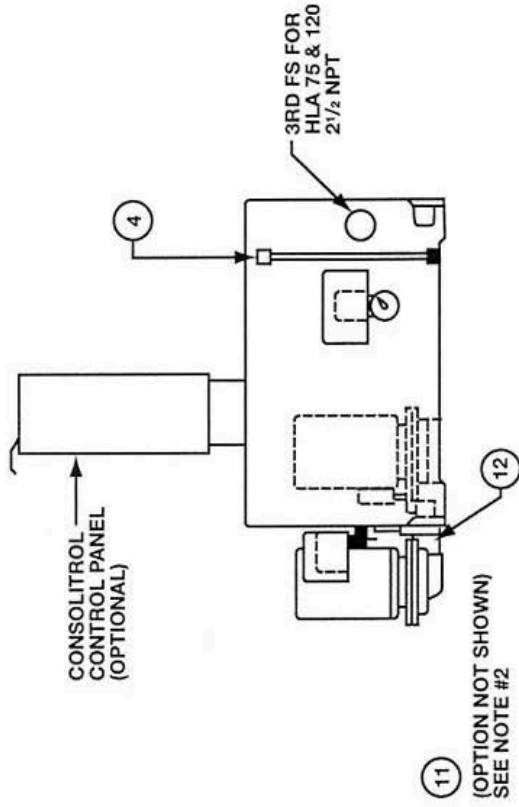


- Legend**
- 1. Receiver
 - 2. Float Control
 - 4. Gauge Glass Assembly
 - 5. Thermometer
 - 6. Inlet Basket Strainer
 - 7. Discharge Pressure Gauge Assembly
 - 11. Butterfly Valve Assembly
 - 12. Volute to Receiver Gasket

14 GALLON "A" DESIGN RECEIVER



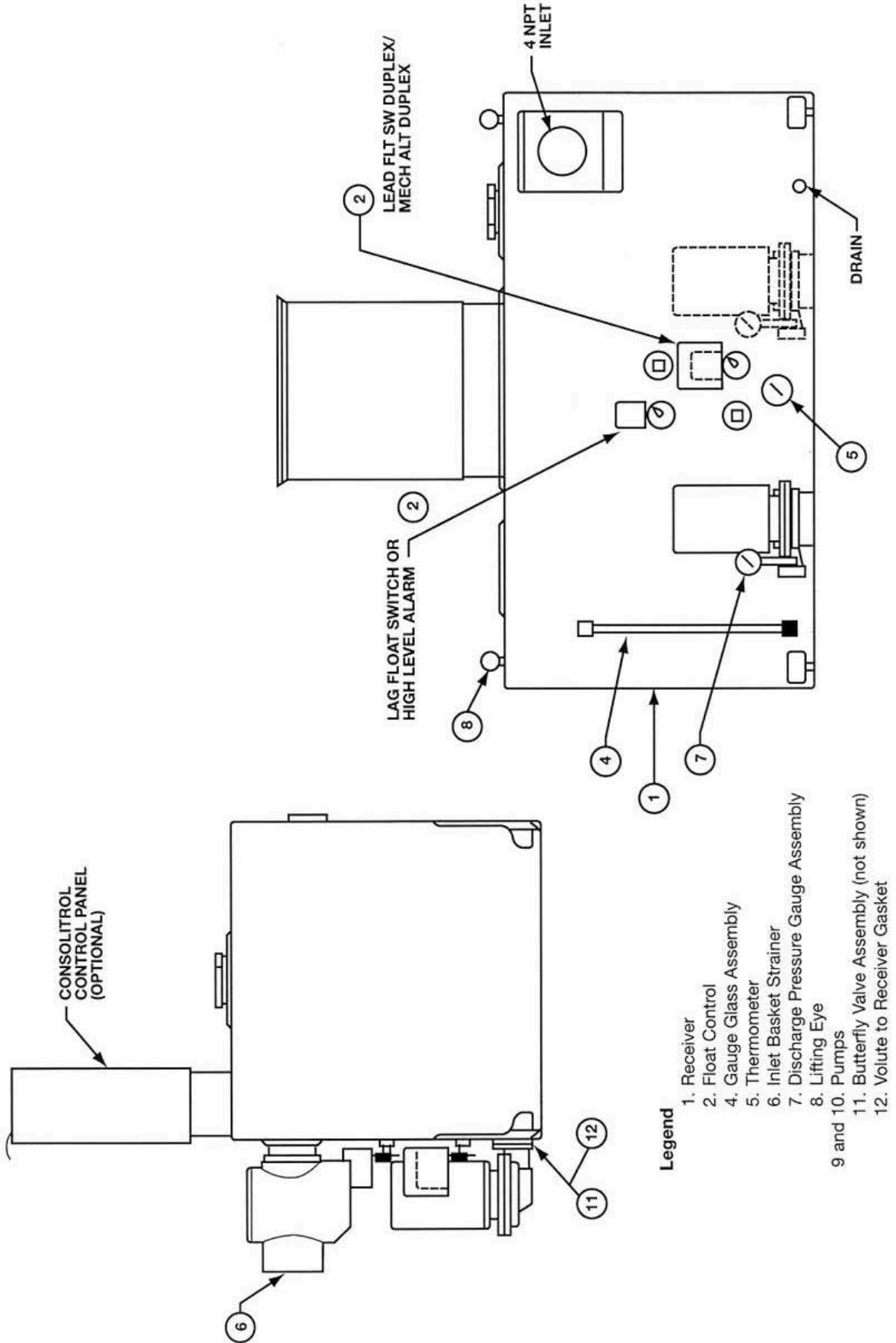
TYPICAL CC, CB UNIT – 23-120 GALLON RECEIVER



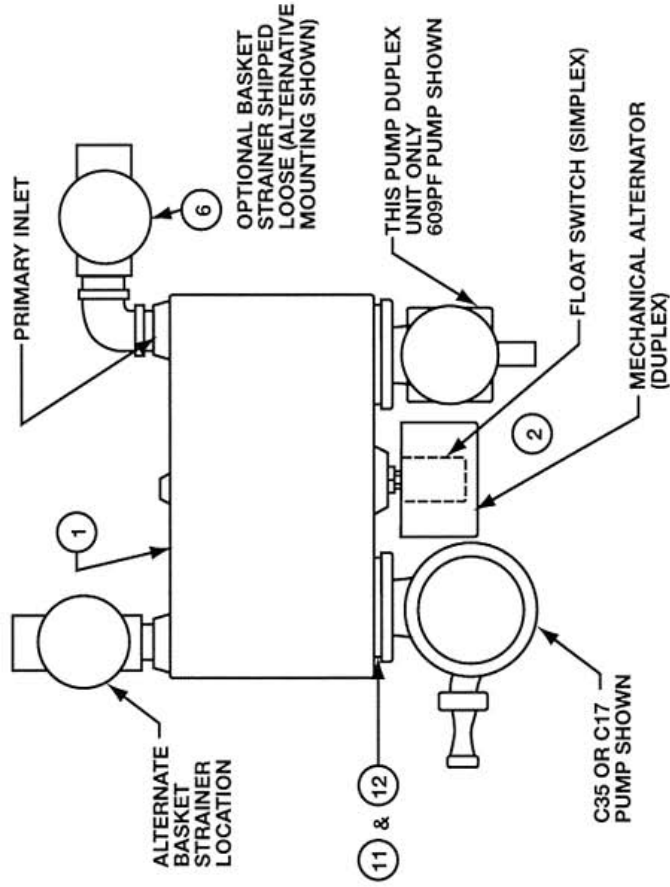
Legend

- 1. Receiver
- 2 or 3. Float Control
- 4. Gauge Glass Assembly
- 5. Thermometer
- 6. Inlet Strainer (not shown)
- 7. Discharge Pressure Gauge
- 8. Lifting Eyes
- 9 and 10. Pump
- 11. Butterfly Valve Assembly (not shown)
- 12. Volute to Receiver Gasket

TYPICAL CC, CB UNIT W/250 GALLON RECEIVER



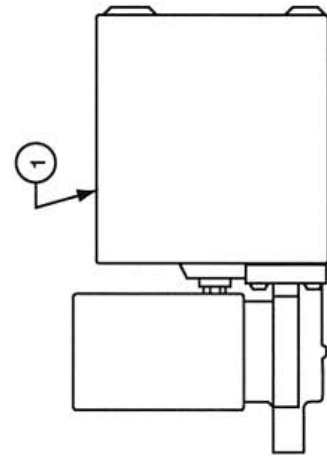
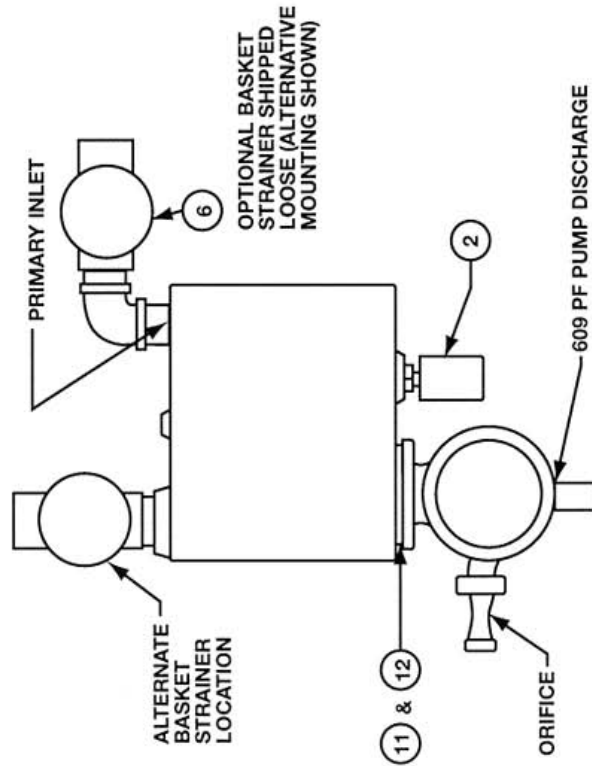
TYPICAL CS UNIT WITH 14 GALLON RECEIVER



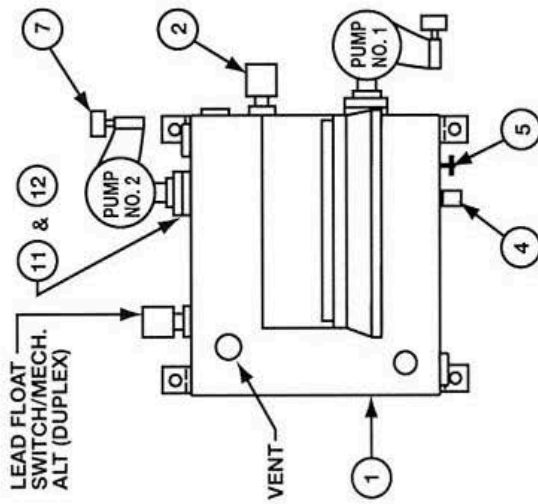
Legend

- 1. Receiver
- 2. Float Control
- 6. Inlet Basket Strainer
- 7. Discharge Pressure Gauge (not shown)
- 11. Butterfly Valve Assembly
- 12. Volute to Receiver Gasket

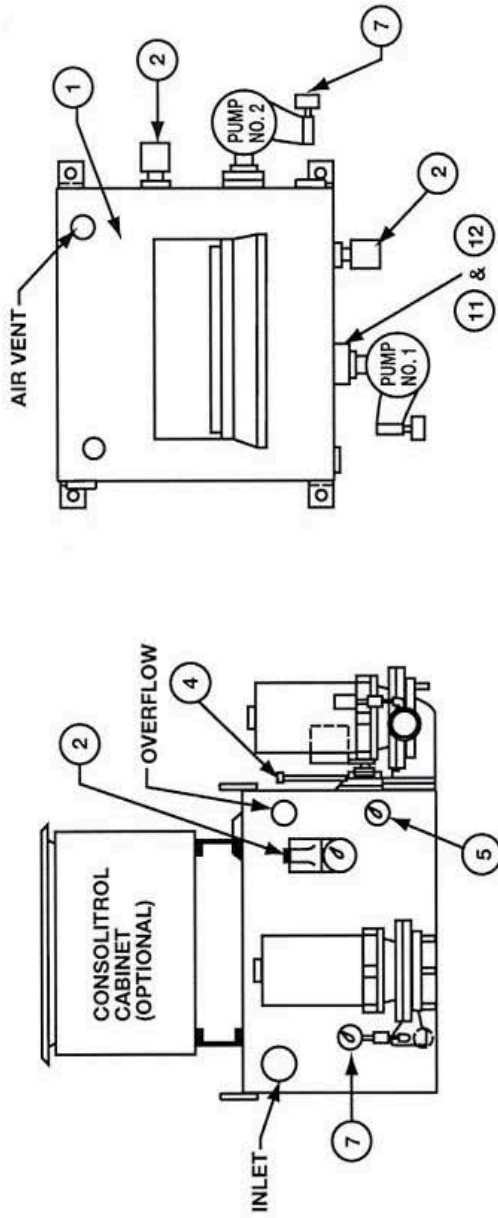
TYPICAL CS UNIT WITH 6 OR 9 GALLON RECEIVER



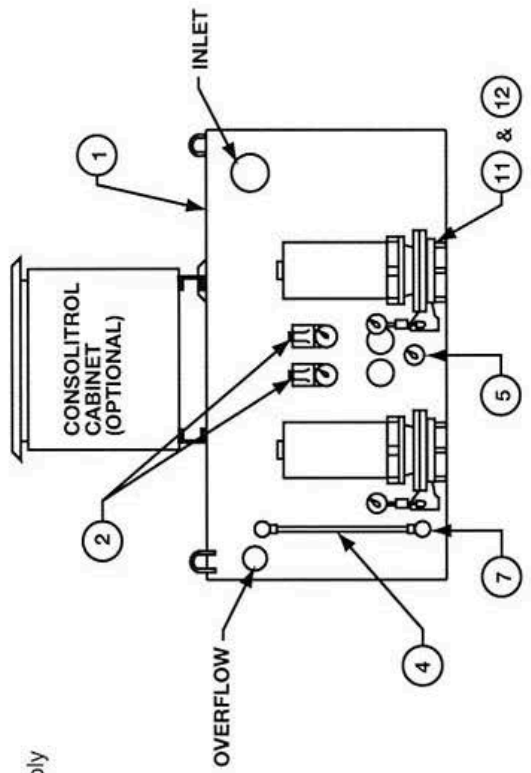
TYPICAL 23 GALLON CS UNIT



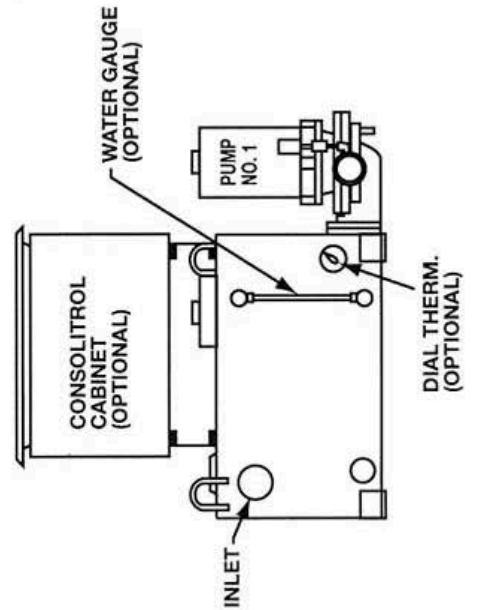
TYPICAL CS UNIT 36 THRU 120 GALLON



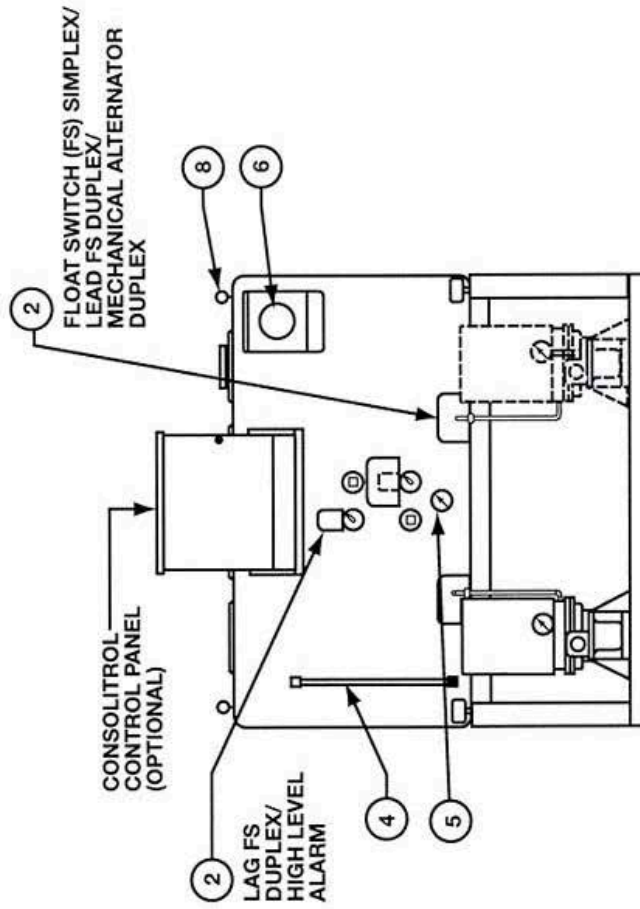
TYPICAL CS DUPLEX W/250 GALLON RECEIVER



- Legend**
- 1. Receiver
 - 2. Float Control
 - 4. Gauge Glass Assembly
 - 5. Thermometer
 - 6. Inlet Basket Strainer (not shown)
 - 7. Discharge Pressure Gauge Assembly
 - 11. Butterfly Valve Assembly
 - 12. Volute to Receiver Gasket

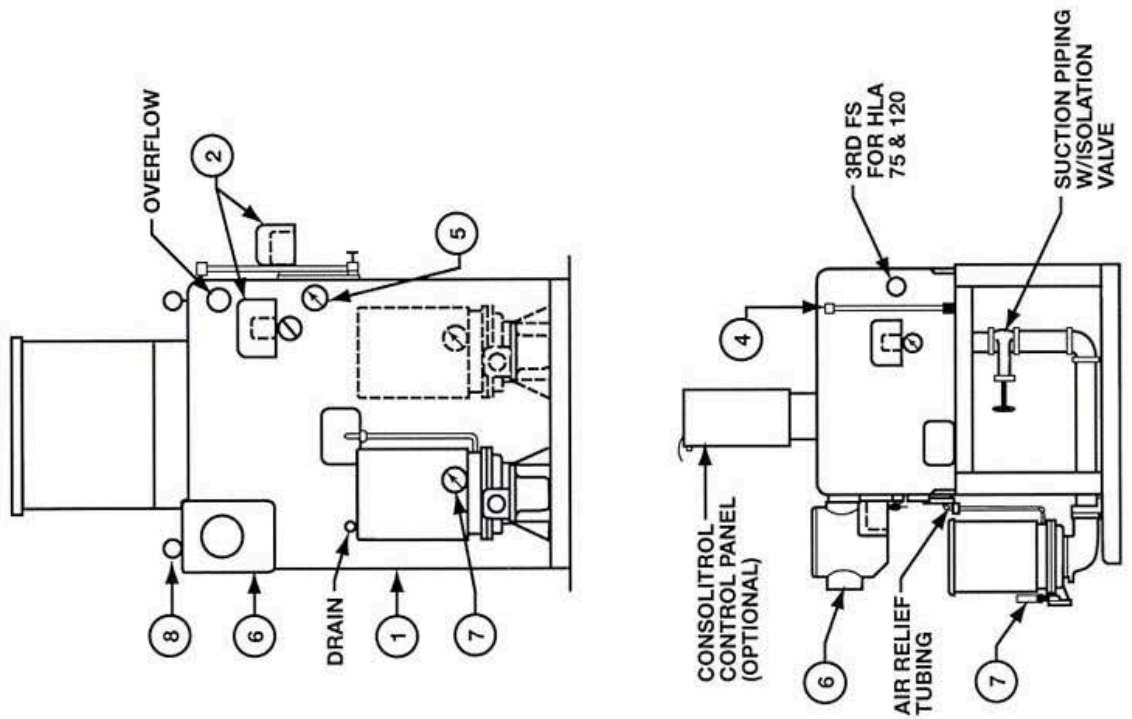


TYPICAL CBE UNIT 250 GALLON RECEIVER



- Legend**
- 1. Receiver
 - 2. Float Control
 - 4. Gauge Glass Assembly
 - 5. Thermometer
 - 6. Inlet Basket Strainer
 - 7. Discharge Pressure Gauge Assembly
 - 8. Lifting Eyes

TYPICAL CBE UNIT 23 THRU 120 GALLON RECEIVER



6 Gallon Cast Iron Receiver Simplex

Item #	Description	Part Number	Qty
1	Receiver	DR0610	1
2	Float switch Assembly NEMA 1	DA0393	1
2a	Float Ball only	DA0165	1
6	Inlet Basket Strainer	DA0180	1
6a	Strainer Screen only	DA0016	1
6b	Strainer Gasket only	DG0160	1
7a	Discharge Pressure Gauge, 3-1/2" dia., 0-60 psi	DA0113	1
7b	Elbow 1/4NPT	DF0161	1
7c	Nipple	DL0022	1
7d	Gage Cock 1/4 FPT	DV0325	1
11	Butterfly valve assembly	180090	1
12	Pump to Receiver Gasket	DG0060	1
	Drain Plug	F08400	1
	Plug 2"	J89138	1

9 Gallon Cast Iron Receiver Simplex

Item #	Description	Part Number	Qty
1	Receiver	DR0615	1
2	Float switch Assembly NEMA 1	DA0393	1
2a	Float Ball only	DA0165	1
4a	Gauge Glass Valve Set	DV0343	1
4b	Gauge Glass	DV0345	1
4c	Guard Rods	DV0367	2
5	Dial Thermometer	DA0101	1
5	Angle Thermometer	DA0104	1
6	Inlet Basket Strainer	DA0180	1
6a	Strainer Screen only	DA0016	1
6b	Strainer Gasket only	DG0160	1
7a	Discharge Pressure Gauge, 3-1/2" dia., 0-60 psi	DA0113	1
7b	Elbow 1/4NPT	DF0161	1
7c	Nipple	DL0022	1
7d	Gage Cock 1/4 FPT	DV0325	1
11	Butterfly valve assembly	180090	1
12	Pump to Receiver Gasket	DG0060	1
	Drain Plug	F08400	1
	Plug 2"	J89138	1

14 Gallon Cast Iron Receiver Simplex

Item #	Description	Part Number	Qty
1	Receiver "B" design (see foot note)	DR0616	1
1	Receiver "A" design (see foot note)	DR0212	1
2	Float switch Assembly NEMA 1	DA0393	1
2a	Float Ball only	DA0165	1
4a	Gauge Glass Valve Set	DV0343	1
4b	Gauge Glass	DV0346	1
4c	Guard Rods	DV0367	2
5	Dial Thermometer	DA0101	1
5	Angle Thermometer	DA0104	1
6	Inlet Basket Strainer	DA0180	1
6a	Strainer Screen only	DA0016	1
6b	Strainer Gasket only	DG0160	1
7a	Discharge Pressure Gauge, 3-1/2" dia., 0-40 psi	DA0113	1
7a	Discharge Pressure Gauge, 3-1/2" dia., 41-90 psi	DA0110	1
7b	Elbow 1/4NPT	DF0161	1
7c	Nipple	DL0022	1
7d	Gage Cock 1/4 FPT	DV0325	1
7e	Coupling, Extender for 620PF & 650PF Pumps	DF0076	1
7f	Nipple, Extender for 620PF & 650PF Pumps	DL0021	1
7g	Cock (41 psi or larger)	S11657	1
11	Butterfly valve assembly	180090	1
12	Pump to Receiver Gasket	DG0060	2

Fasteners and Misc. Components

Where used	Description	Part number	Qty
1	Blind Flange	DF0210	1
1	Drain Plug	F08400	1
Pump Mounting	Studs	DJ0479	8
Pump Mounting	Nuts	F11400	8
	Plug 2"	J89138	1

For all units built **after** August 1, 1991

3500 RPM units to 50 psi discharge pressure use 14 gallon "B" design receiver as standard

3500 RPM units 60 psi discharge pressure or higher, use 14 gallon "A" design receiver

1750 RPM units use 14 gallon "A" design receiver.

All units built **before** August 1, 1991 use 14 gallon "A" design receiver

Pre-1991 units used DR0208 receiver which is obsolete, Post 1991 use DR0212 and DF0210 blind flange

14 Gallon Cast Iron Receiver Duplex

Item #	Description	Part Number	Qty
1	Receiver "B" design (see foot note)	DR0616	1
1	Receiver "A" design (see foot note)	DR0212	1
2	Float switch Assembly NEMA 1	DA0393	2
2a	Float Ball only	DA0165	2
2	Mechanical Alternator NEMA 1	DA0361	1
2a	Float Ball only	DA0165	1
4a	Gauge Glass Valve Set	DV0343	1
4b	Gauge Glass	DV0346	1
4c	Guard Rods	DV0367	2
5	Dial Thermometer	DA0101	1
5	Angle Thermometer	DA0104	1
6	Inlet Basket Strainer	DA0180	1
6a	Strainer Screen only	DA0016	1
6b	Strainer Gasket only	DG0160	1
7a	Discharge Pressure Gauge, 3-1/2" dia., 0-40 psi	DA0113	2
7a	Discharge Pressure Gauge, 3-1/2" dia., 41-90 psi	DA0110	2
7b	Elbow 1/4NPT	DF0161	2
7c	Nipple	DL0022	2
7d	Gage Cock 1/4 FPT	DV0325	2
7e	Coupling, Extender for 620PF & 650PF Pumps	DF0076	2
7f	Nipple, Extender for 620PF & 650PF Pumps	DL0021	2
7g	Cock (41 psi or larger)	S11657	2
11	Butterfly valve assembly	180090	2
12	Pump to Receiver Gasket	DG0060	2

Fasteners and Misc. Components

Where used	Description	Part number	Qty
1	Drain Plug	F08400	1
Pump Mounting	Studs	DJ0479	8
Pump Mounting	Nuts	F11400	8
Pump Mounting	Elbow	DF0168	2
Receiver	Nipple	DL0126	1
Receiver	Tee	J89121	1
	Plug 2"	J89138	1

For all units built **after** August 1, 1991

3500 RPM units to 50 psi discharge pressure use 14 gallon "B" design receiver as standard

3500 RPM units 60 psi discharge pressure or higher, use 14 gallon "A" design receiver

1750 RPM units use 14 gallon "A" design receiver.

All units built **before** August 1, 1991 use 14 gallon "A" design receiver

23 Gallon Cast Iron Receiver for Simplex Pumps

Item #	Description	Part Number	Qty
1	Receiver	DR0218	1
1	Receiver for elevated unit (CBE)	DR0621	1
1	Fabricated stand to Elevate CBE unit	Consult factory	1
2	Float Switch Assembly	DA0393	1
2a	Float Ball only	DA0165	1
4a	Gauge Glass Valve Set	DV0343	1
4b	Gauge Glass	DV0347	1
4c	Guard Rods	DV0367	2
5	Dial Thermometer	DA0101	1
5	Angle Thermometer	DA0104	1
6	Inlet Basket Strainer	DA0180	1
6a	Strainer Screen only	DA0016	1
6b	Strainer Gasket only	DG0160	1
7a	Discharge Pressure Gauge, 3-1/2" dia., 0-40 psi	DA0113	1
7a	Discharge Pressure Gauge, 3-1/2" dia., 41-90 psi	DA0110	1
7b	Elbow 1/4NPT	DF0161	1
7c	Nipple	DL0022	1
7d	Gage Cock 1/4 FPT	DV0325	1
7e	Coupling, Extender for 620PF & 650PF Pumps	DF0076	1
7f	Nipple, Extender for 620PF & 650PF Pumps	DL0021	1
7g	Cock (41 psi or larger)	S11657	1
8	Lifting Eye	DJ0321	2
11	Butterfly Valve Assembly	180090	1
	Suction Pipe Assembly for CBE unit	Consult factory	1
	Pump Mounting gasket (for CBE)	DG0060	1
12	Volute to Receiver Gasket	DG0060	2

Fasteners and Misc. Components

Where used	Description	Part number	Qty
2 or 3	Float Switch Mounting Flange (for Units built between 1965-1998)	DA0200	1
2 or 3	Float Switch Flange Gasket (for Units built between 1965-1998)	DG0131	1
2 or 3	Float Switch Flange Mounting Studs (for Units built between 1965-1998)	DJ0471	6
2 or 3	Float Switch Flange Nuts (for Units built between 1965-1998)	P52380	6
Pump Mounting	Stud	DJ0479	8
Pump Mounting	Stud (CBE)	DJ0479	8
Prime opening	Pipe Plug	F08400	1
Drain	Drain Plug	U19200	1
Air relief connection	Pipe Plug	P39020	1
Air relief connection	Pipe Plug (CBE)	P39020	1
Air relief connection	Elbow 1/4NPT (CBE)	DF0507	1
Air relief connection	Connector ((Straight(CBE))	DF0506	1
Air relief connection	Copper tubing for Air relief CBE	X42104	2 ft.
9 & 10	Nut (Pump Mounting)	F11400	8
9 & 10	Nut (CBE)	F11400	6
9 & 10	Blind Flange (CBE)	DF0211	1
9 & 10	Blind Flange	DF0210	1
3	Pipe Plug (2-1/2")	F12200	1

23 Gallon Cast Iron Receiver for Duplex Pumps

Item #	Description	Part Number	Qty
1	Receiver	DR0218	1
1	Receiver for elevated unit (CBE)	DR0621	1
1	Fabricated stand to Elevate CBE unit	Consult factory	1
2	Float Switch Assembly	DA0393	2
2a	Float Ball only	DA0165	2
2	Mechanical Alternator NEMA 1 (in lieu of two float switches)	DA0361	1
2a	Float Ball only	DA0165	1
4a	Gauge Glass Valve Set	DV0343	1
4b	Gauge Glass	DV0347	1
4c	Guard Rods	DV0367	2
5	Dial Thermometer	DA0101	1
5	Angle Thermometer	DA0104	1
6	Inlet Basket Strainer	DA0180	1
6a	Strainer Screen only	DA0016	1
6b	Strainer Gasket only	DG0160	1
7a	Discharge Pressure Gauge, 3-1/2" dia., 0-40 psi	DA0113	2
7a	Discharge Pressure Gauge, 3-1/2" dia., 41-90 psi	DA0110	2
7b	Elbow 1/4NPT	DF0161	2
7c	Nipple	DL0022	2
7d	Gage Cock 1/4 FPT	DV0325	2
7e	Coupling, Extender for 620PF & 650PF Pumps	DF0076	2
7f	Nipple, Extender for 620PF & 650PF Pumps	DL0021	2
7g	Cock (41 psi or larger)	S11657	1
8	Lifting Eye	DJ0321	2
11	Butterfly Valve Assembly	180090	2
	Suction Pipe Assembly for CBE unit	Consult factory	2
	Pump Mounting gasket (for CBE)	DG0060	2
12	Volute to Receiver Gasket	DG0060	2

Fasteners and Misc. Components

Where used	Description	Part number	Qty
2 or 3	Float Switch Mounting Flange (for Units built between 1965-1998)	DA0200	1
2 or 3	Float Switch Flange Gasket (for Units built between 1965-1998)	DG0131	1
2 or 3	Float Switch Flange Mounting Studs (for Units built between 1965-1998)	DJ0471	6
2 or 3	Float Switch Flange Nuts (for Units built between 1965-1998)	P52380	6
Pump Mounting	Stud	DJ0479	8
Pump Mounting	Stud (CBE)	DJ0479	8
Prime opening	Pipe Plug	F08400	1
Drain	Drain Plug	U19200	1
Air relief connection	Pipe Plug	P39020	1
Air relief connection	Pipe Plug (CBE)	P39020	1
Air relief connection	Elbow 1/4NPT (CBE)	DF0507	1
Air relief connection	Connector ((Straight(CBE))	DF0506	1
Air relief connection	Copper tubing for Air relief CBE	X42104	2 ft.
9 & 10	Nut (Pump Mounting)	F11400	8
9 & 10	Nut (CBE)	F11400	6
9 & 10	Blind Flange (CBE)	DF0211	1
9 & 10	Blind Flange	DF0210	1
2	Pipe Plug (2-1/2")	F12200	1

36 Gallon Cast Iron Receiver for Simplex Pumps

Item #	Description	Part Number	Qty
1	Receiver	DR0232	1
1	Receiver for elevated unit (CBE)	DR0226	1
1	Fabricated stand to Elevate CBE unit	Consult factory	1
2	Float Switch Assembly	DA0393	1
2a	Float Ball only	DA0165	1
4a	Gauge Glass Valve Set	DV0343	1
4b	Gauge Glass	DV0350	1
4c	Guard Rods	DV0368	2
5	Dial Thermometer	DA0101	1
5	Angle Thermometer	DA0104	1
6	Inlet Basket Strainer	DA0182	1
6a	Strainer Screen only	DA0018	1
6b	Strainer Gasket only	DG0160	1
7a	Discharge Pressure Gauge, 3-1/2" dia., 0-40 psi	DA0113	1
7a	Discharge Pressure Gauge, 3-1/2" dia., 41-90 psi	DA0110	1
7b	Elbow 1/4NPT	DF0161	1
7c	Nipple	DL0022	1
7d	Gage Cock 1/4 FPT	DV0325	1
7e	Coupling, Extender for 620PF & 650PF Pumps	DF0076	1
7f	Nipple, Extender for 620PF & 650PF Pumps	DL0021	1
7g	Cock (41 psi or larger)	S11657	1
8	Lifting Eye	DJ0321	2
11	Butterfly Valve Assembly	180090	1
	Suction Pipe Assembly for CBE unit	Consult factory	1
	Pump Mounting gasket (for CBE)	DG0060	1
12	Volute to Receiver Gasket	DG0060	2

Fasteners and Misc. Components

Where used	Description	Part number	Qty
2 or 3	Float Switch Mounting Flange (for Units built between 1965-1998)	DA0200	1
2 or 3	Float Switch Flange Gasket (for Units built between 1965-1998)	DG0131	1
2 or 3	Float Switch Flange Mounting Studs (for Units built between 1965-1998)	DJ0471	6
2 or 3	Float Switch Flange Nuts (for Units built between 1965-1998)	P52380	6
Pump Mounting	Stud	DJ0479	8
Pump Mounting	Stud (CBE)	DJ0479	8
Prime opening	Pipe Plug	F08400	1
Drain	Drain Plug	U19200	1
Air relief connection	Pipe Plug	P39020	1
Air relief connection	Pipe Plug (CBE)	P39020	1
Air relief connection	Elbow 1/4NPT (CBE)	DF0507	1
Air relief connection	Connector ((Straight(CBE))	DF0506	1
Air relief connection	Copper tubing for Air relief CBE	X42104	2 ft.
9 & 10	Nut (Pump Mounting)	F11400	8
9 & 10	Nut (CBE)	F11400	6
9 & 10	Blind Flange (CBE)	DF0211	1
9 & 10	Blind Flange (CB & CBE)	DF0210	1
3	Pipe Plug (2-1/2")	F12200	1

36 Gallon Cast Iron Receiver for Duplex Pumps

Item #	Description	Part Number	Qty
1	Receiver	DR0232	1
1	Receiver for elevated unit (CBE)	DR0226	1
1	Fabricated stand to Elevate CBE unit	Consult factory	1
2	Float Switch Assembly	DA0393	2
2a	Float only	DA0165	2
2	Mechanical Alternator NEMA 1 (in lieu of two float switches)	DA0361	1
2a	Float Ball only	DA0165	1
4a	Gauge Glass Valve Set	DV0343	1
4b	Gauge Glass	DV0350	1
4c	Guard Rods	DV0368	2
5	Dial Thermometer	DA0101	1
5	Angle Thermometer	DA0104	1
6	Inlet Basket Strainer	DA0182	1
6a	Strainer Screen only	DA0018	1
6b	Strainer Gasket only	DG0160	1
7a	Discharge Pressure Gauge, 3-1/2" dia., 0-40 psi	DA0113	2
7a	Discharge Pressure Gauge, 3-1/2" dia., 41-90 psi	DA0110	2
7b	Elbow 1/4NPT	DF0161	2
7c	Nipple	DL0022	2
7d	Gage Cock 1/4 FPT	DV0325	2
7e	Coupling, Extender for 620PF & 650PF Pumps	DF0076	2
7f	Nipple, Extender for 620PF & 650PF Pumps	DL0021	2
7g	Cock (41 psi or larger)	S11657	2
8	Lifting Eye	DJ0321	2
11	Butterfly Valve Assembly	180090	2
	Suction Pipe Assembly for CBE unit	Consult factory	2
	Pump Mounting gasket (for CBE)	DG0060	2
12	Volute to Receiver Gasket	DG0060	2

Fasteners and Misc. Components

Where used	Description	Part number	Qty
2 or 3	Float Switch Mounting Flange (for Units built between 1965-1998)	DA0200	1
2 or 3	Float Switch Flange Gasket (for Units built between 1965-1998)	DG0131	1
2 or 3	Float Switch Flange Mounting Studs (for Units built between 1965-1998)	DJ0471	6
2 or 3	Float Switch Flange Nuts (for Units built between 1965-1998)	P52380	6
Pump Mounting	Stud	DJ0479	8
Pump Mounting	Stud (CBE)	DJ0479	8
Prime opening	Pipe Plug	F08400	1
Drain	Drain Plug	U19200	1
Air relief connection	Pipe Plug	P39020	1
Air relief connection	Pipe Plug (CBE)	P39020	1
Air relief connection	Elbow 1/4NPT (CBE)	DF0507	1
Air relief connection	Connector ((Straight(CBE))	DF0506	4
Air relief connection	Elbow 1/4NPT (CBE)	DF0511	1
Air relief connection	Copper tubing for Air relief CBE	X42104	4 ft.
9 &10	Nut (Pump Mounting)	F11400	8
9 &10	Nut (CBE)	F11400	8
9 &10	Blind Flange (CBE)	DF0211	1
9 &10	Blind Flange (CB & CBE)	DF0210	1
3	Pipe Plug (2-1/2")	F12200	2

52 Gallon Cast Iron Receiver for Simplex Pumps

Item #	Description	Part Number	Qty
1	Receiver	DR0234	1
1	Receiver for elevated unit (CBE)	DR0619	1
1	Fabricated stand to Elevate CBE unit	Consult factory	1
2	Float Switch Assembly	DA0393	1
2a	Float only	DA0165	1
4a	Gauge Glass Valve Set	DV0343	1
4b	Gauge Glass	DV0351	1
4c	Guard Rods	DV0383	2
5	Dial Thermometer	DA0101	1
5	Angle Thermometer	DA0104	1
6	Inlet Basket Strainer	DA0182	1
6a	Strainer Screen only	DA0018	1
6b	Strainer Gasket only	DG0160	1
7a	Discharge Pressure Gauge, 3-1/2" dia., 0-40 psi	DA0113	1
7a	Discharge Pressure Gauge, 3-1/2" dia., 41-90 psi	DA0110	1
7b	Elbow 1/4NPT	DF0161	1
7c	Nipple	DL0022	1
7d	Gage Cock 1/4 FPT	DV0325	1
7e	Coupling, Extender for 620PF & 650PF Pumps	DF0076	1
7f	Nipple, Extender for 620PF & 650PF Pumps	DL0021	1
7g	Cock (41 psi or larger)	S11657	1
8	Lifting Eye	DJ0321	2
11	Butterfly Valve Assembly	180090	1
	Suction Pipe Assembly for CBE unit	Consult factory	1
	Pump Mounting gasket (for CBE)	DG0060	1
12	Volute to Receiver Gasket	DG0060	2

Fasteners and Misc. Components

Where used	Description	Part number	Qty
2 or 3	Float Switch Mounting Flange (for Units built between 1965-1998)	DA0200	1
2 or 3	Float Switch Flange Gasket (for Units built between 1965-1998)	DG0131	1
2 or 3	Float Switch Flange Mounting Studs (for Units built between 1965-1998)	DJ0471	6
2 or 3	Float Switch Flange Nuts (for Units built between 1965-1998)	P52380	6
Pump Mounting	Stud	DJ0479	8
Pump Mounting	Stud (CBE)	DJ0479	8
Prime opening	Pipe Plug	F08400	1
Drain	Drain Plug	U19200	1
Air relief connection	Pipe Plug	P39020	1
Air relief connection	Pipe Plug (CBE)	P39020	1
Air relief connection	Elbow 1/4NPT (CBE)	DF0507	1
Air relief connection	Connector ((Straight(CBE))	DF0506	1
Air relief connection	Copper tubing for Air relief CBE	X42104	2 ft.
9 & 10	Nut (Pump Mounting)	F11400	8
9 & 10	Nut (CBE)	F11400	6
9 & 10	Blind Flange (CBE)	DF0211	1
9 & 10	Blind Flange (CB & CBE)	DF0210	1
3	Pipe Plug (2-1/2")	F12200	1

52 Gallon Cast Iron Receiver for Duplex Pumps

Item #	Description	Part Number	Qty
1	Receiver	DR0234	1
1	Receiver for elevated unit (CBE)	DR0619	1
1	Fabricated stand to Elevate CBE unit	Consult factory	1
2	Float Switch Assembly	DA0393	2
2a	Float only	DA0165	2
2	Mechanical Alternator NEMA 1 (in lieu of two float switches)	DA0361	1
2a	Float Ball only	DA0165	1
4a	Gauge Glass Valve Set	DV0343	1
4b	Gauge Glass	DV0351	1
4c	Guard Rods	DV0383	2
5	Dial Thermometer	DA0101	1
5	Angle Thermometer	DA0104	1
6	Inlet Basket Strainer	DA0182	1
6a	Strainer Screen only	DA0018	1
6b	Strainer Gasket only	DG0160	1
7a	Discharge Pressure Gauge, 3-1/2" dia., 0-40 psi	DA0113	2
7a	Discharge Pressure Gauge, 3-1/2" dia., 41-90 psi	DA0110	2
7b	Elbow 1/4NPT	DF0161	2
7c	Nipple	DL0022	2
7d	Gage Cock 1/4 FPT	DV0325	2
7e	Coupling, Extender for 620PF & 650PF Pumps	DF0076	2
7f	Nipple, Extender for 620PF & 650PF Pumps	DL0021	2
7g	Cock (41 psi or larger)	S11657	2
8	Lifting Eye	DJ0321	2
11	Butterfly Valve Assembly	180090	2
	Suction Pipe Assembly for CBE unit	Consult factory	2
	Pump Mounting gasket (for CBE)	DG0060	2
12	Volute to Receiver Gasket	DG0060	2

Fasteners and Misc. Components

Where used	Description	Part number	Qty
2 or 3	Float Switch Mounting Flange (for Units built between 1965-1998)	DA0200	1
2 or 3	Float Switch Flange Gasket (for Units built between 1965-1998)	DG0131	1
2 or 3	Float Switch Flange Mounting Studs (for Units built between 1965-1998)	DJ0471	6
2 or 3	Float Switch Flange Nuts (for Units built between 1965-1998)	P52380	6
Pump Mounting	Stud	DJ0479	8
Pump Mounting	Stud (CBE)	DJ0479	8
Prime opening	Pipe Plug	F08400	1
Drain	Drain Plug	U19200	1
Air relief connection	Pipe Plug	P39020	1
Air relief connection	Pipe Plug (CBE)	P39020	1
Air relief connection	Elbow 1/4NPT (CBE)	DF0507	1
Air relief connection	Connector ((Straight(CBE))	DF0506	4
Air relief connection	Elbow 1/4NPT (CBE)	DF0511	1
Air relief connection	Copper tubing for Air relief CBE	X42104	4 ft.
9 & 10	Nut (Pump Mounting)	F11400	8
9 & 10	Nut (CBE)	F11400	8
9 & 10	Blind Flange (CBE)	DF0211	1
9 & 10	Blind Flange (CB & CBE)	DF0210	1
3	Pipe Plug (2-1/2")	F12200	3

75 Gallon Cast Iron Receiver for Simplex Pumps

Item #	Description	Part Number	Qty
1	Receiver	DR0240	1
1	Receiver for elevated unit (CBE)	DR0620	1
1	Fabricated stand to Elevate CBE unit	Consult factory	1
2	Float Switch Assembly	DA0393	1
2a	Float only	DA0165	1
4a	Gauge Glass Valve Set	DV0343	1
4b	Gauge Glass	DV0354	1
4c	Guard Rods	DV0384	2
5	Dial Thermometer	DA0101	1
5	Angle Thermometer	DA0104	1
6	Inlet Basket Strainer	DA0183	1
6a	Strainer Screen only	DA0019	1
6b	Strainer Gasket only	DG0161	1
7a	Discharge Pressure Gauge, 3-1/2" dia., 0-40 psi	DA0113	1
7a	Discharge Pressure Gauge, 3-1/2" dia., 41-90 psi	DA0110	1
7b	Elbow 1/4NPT	DF0161	1
7c	Nipple	DL0022	1
7d	Gage Cock 1/4 FPT	DV0325	1
7e	Coupling, Extender for 620PF & 650PF Pumps	DF0076	1
7f	Nipple, Extender for 620PF & 650PF Pumps	DL0021	1
7g	Cock (41 psi or larger)	S11657	1
8	Lifting Eye	DJ0322	2
11	Butterfly Valve Assembly (for CC units up to 75 gpm / CB units to 50 gpm)	180090	1
11	Butterfly Valve Assembly (for CC units above 76 gpm / CB units above 51 gpm)	DV0095	1
	Suction Pipe Assembly for CBE unit	Consult factory	1
	Pump Mounting gasket (for CBE)	DG0060	1
12	Volute to Receiver Gasket	DG0060	2

Fasteners and Misc. Components

Where used	Description	Part number	Qty
2 or 3	Float Switch Mounting Flange (for Units built between 1965-1998)	DA0200	1
2 or 3	Float Switch Flange Gasket (for Units built between 1965-1998)	DG0131	1
2 or 3	Float Switch Flange Mounting Studs (for Units built between 1965-1998)	DJ0471	6
2 or 3	Float Switch Flange Nuts (for Units built between 1965-1998)	P52380	6
Pump Mounting	Stud	DJ0479	8
Pump Mounting	Stud (CBE)	DJ0479	8
Prime opening	Pipe Plug	F08400	1
Drain	Drain Plug	U19200	1
Air relief connection	Pipe Plug	P39020	1
Air relief connection	Pipe Plug (CBE)	P39020	1
Air relief connection	Elbow 1/4NPT (CBE)	DF0507	1
Air relief connection	Connector ((Straight(CBE))	DF0506	1
Air relief connection	Copper tubing for Air relief CBE	X42104	2 ft.
9 & 10	Nut (Pump Mounting)	F11400	8
9 & 10	Nut (CBE)	F11400	6
9 & 10	Blind Flange (CBE)	DF0211	1
9 & 10	Blind Flange (CB & CBE)	DF0210	1
3	Pipe Plug (2-1/2")	F12200	3

75 Gallon Cast Iron Receiver for Duplex Pumps

Item #	Description	Part Number	Qty
1	Receiver	DR0240	1
1	Receiver for elevated unit (CBE)	DR0620	1
1	Fabricated stand to Elevate CBE unit	Consult factory	1
2	Float Switch Assembly	DA0393	2
2a	Float only	DA0165	2
2	Mechanical Alternator NEMA 1 (in lieu of two float switches)	DA0361	1
2a	Float Ball only	DA0165	1
4a	Gauge Glass Valve Set	DV0343	1
4b	Gauge Glass	DV0354	1
4c	Guard Rods	DV0384	2
5	Dial Thermometer	DA0101	1
5	Angle Thermometer	DA0104	1
6	Inlet Basket Strainer	DA0183	1
6a	Strainer Screen only	DA0019	1
6b	Strainer Gasket only	DG0161	1
7a	Discharge Pressure Gauge, 3-1/2" dia., 0-40 psi	DA0113	2
7a	Discharge Pressure Gauge, 3-1/2" dia., 41-90 psi	DA0110	2
7b	Elbow 1/4NPT	DF0161	2
7c	Nipple	DL0022	2
7d	Gage Cock 1/4 FPT	DV0325	2
7e	Coupling, Extender for 620PF & 650PF Pumps	DF0076	2
7f	Nipple, Extender for 620PF & 650PF Pumps	DL0021	2
7g	Cock (41 psi or larger)	S11657	2
8	Lifting Eye	DJ0322	2
11	Butterfly Valve Assembly (for CC units up to 75 gpm / CB units to 50 gpm)	180090	2
11	Butterfly Valve Assembly (for CC units above 76 gpm / CB units above 51 gpm)	DV0095	2
	Suction Pipe Assembly for CBE unit	Consult factory	2
	Pump Mounting gasket (for CBE)	DG0060	2
12	Volute to Receiver Gasket	DG0060	2

Fasteners and Misc. Components

Where used	Description	Part number	Qty
2 or 3	Float Switch Mounting Flange (for Units built between 1965-1998)	DA0200	1
2 or 3	Float Switch Flange Gasket (for Units built between 1965-1998)	DG0131	1
2 or 3	Float Switch Flange Mounting Studs (for Units built between 1965-1998)	DJ0471	6
2 or 3	Float Switch Flange Nuts (for Units built between 1965-1998)	P52380	6
Pump Mounting	Stud	DJ0479	8
Pump Mounting	Stud (CBE)	DJ0479	8
Prime opening	Pipe Plug	F08400	1
Drain	Drain Plug	U19200	1
Air relief connection	Pipe Plug	P39020	1
Air relief connection	Pipe Plug (CBE)	P39020	1
Air relief connection	Elbow 1/4NPT (CBE)	DF0507	1
Air relief connection	Connector ((Straight(CBE))	DF0506	4
Air relief connection	Elbow 1/4NPT (CBE)	DF0511	1
Air relief connection	Copper tubing for Air relief CBE	X42104	4 ft.
9 & 10	Nut (Pump Mounting)	F11400	8
9 & 10	Nut (CBE)	F11400	8
9 & 10	Blind Flange (CBE)	DF0211	1
9 & 10	Blind Flange (CB & CBE)	DF0210	1
3	Pipe Plug (2-1/2")	F12200	3

120 Gallon Cast Iron Receiver for Simplex Pumps

Item #	Description	Part Number	Qty
1	Receiver	DR0298	1
1	Receiver for elevated unit (CBE)	DR0626	1
1	Fabricated stand to Elevate CBE unit	Consult factory	1
2	Float Switch Assembly	DA0393	1
2a	Float only	DA0165	1
4a	Gauge Glass Valve Set	DV0343	1
4b	Gauge Glass	DV0356	1
4c	Guard Rods	DV0384	2
5	Dial Thermometer	DA0101	1
5	Angle Thermometer	DA0104	1
6	Inlet Basket Strainer	DA0183	1
6a	Strainer Screen only	DA0019	1
6b	Strainer Gasket only	DG0161	1
7a	Discharge Pressure Gauge, 3-1/2" dia., 0-40 psi	DA0113	1
7a	Discharge Pressure Gauge, 3-1/2" dia., 41-90 psi	DA0110	1
7b	Elbow 1/4NPT	DF0161	1
7c	Nipple	DL0022	1
7d	Gage Cock 1/4 FPT	DV0325	1
7e	Coupling, Extender for 620PF & 650PF Pumps	DF0076	1
7f	Nipple, Extender for 620PF & 650PF Pumps	DL0021	1
7g	Cock (41 psi or larger)	S11657	1
8	Lifting Eye	DJ0322	2
11	Butterfly Valve Assembly (for CC units up to 75 gpm / CB units to 50 gpm)	180090	1
11	Butterfly Valve Assembly (for CC units above 76 gpm / CB units above 51 gpm)	DV0095	1
	Suction Pipe Assembly for CBE unit	Consult factory	1
	Pump Mounting gasket (for CBE)	DG0060	1
12	Volute to Receiver Gasket	DG0060	2

Fasteners and Misc. Components

Where used	Description	Part number	Qty
2 or 3	Float Switch Mounting Flange (for Units built between 1965-1998)	DA0200	1
2 or 3	Float Switch Flange Gasket (for Units built between 1965-1998)	DG0131	1
2 or 3	Float Switch Flange Mounting Studs (for Units built between 1965-1998)	DJ0471	6
2 or 3	Float Switch Flange Nuts (for Units built between 1965-1998)	P52380	6
Pump Mounting	Stud	DJ0479	8
Pump Mounting	Stud (CBE)	DJ0479	8
Prime opening	Pipe Plug	F08400	1
Drain	Drain Plug	U19200	1
Air relief connection	Pipe Plug	P39020	1
Air relief connection	Pipe Plug (CBE)	P39020	1
Air relief connection	Elbow 1/4NPT (CBE)	DF0507	1
Air relief connection	Connector ((Straight(CBE))	DF0506	1
Air relief connection	Copper tubing for Air relief CBE	X42104	2 ft.
9 & 10	Nut (Pump Mounting)	F11400	12
9 & 10	Nut (CBE)	F11400	8
9 & 10	Blind Flange (CBE)	DF0211	1
9 & 10	Blind Flange (CC,CB & CBE)	DF0210	1
3	Pipe Plug (2-1/2")	F12200	3

120 Gallon Cast Iron Receiver for Duplex Pumps

Item #	Description	Part Number	Qty
1	Receiver	DR0298	1
1	Receiver for elevated unit (CBE)	DR0626	1
1	Fabricated stand to Elevate CBE unit	Consult factory	1
2	Float Switch Assembly	DA0393	2
2a	Float only	DA0165	2
2	Mechanical Alternator NEMA 1 (in lieu of two float switches)	DA0361	1
2a	Float Ball only	DA0165	1
4a	Gauge Glass Valve Set	DV0343	1
4b	Gauge Glass	DV0356	1
4c	Guard Rods	DV0384	2
5	Dial Thermometer	DA0101	1
5	Angle Thermometer	DA0104	1
6	Inlet Basket Strainer	DA0183	1
6a	Strainer Screen only	DA0019	1
6b	Strainer Gasket only	DG0161	1
7a	Discharge Pressure Gauge, 3-1/2" dia., 0-40 psi	DA0113	2
7a	Discharge Pressure Gauge, 3-1/2" dia., 41-90 psi	DA0110	2
7b	Elbow 1/4NPT	DF0161	2
7c	Nipple	DL0022	2
7d	Gage Cock 1/4 FPT	DV0325	2
7e	Coupling, Extender for 620PF & 650PF Pumps	DF0076	2
7f	Nipple, Extender for 620PF & 650PF Pumps	DL0021	2
7g	Cock (41 psi or larger)	S11657	2
8	Lifting Eye	DJ0322	2
11	Butterfly Valve Assembly (for CC units up to 75 gpm / CB units to 50 gpm)	180090	2
11	Butterfly Valve Assembly (for CC units above 76 gpm / CB units above 51 gpm)	DV0095	2
	Suction Pipe Assembly for CBE unit	Consult factory	1
	Pump Mounting gasket (for CBE)	DG0060	2
12	Volute to Receiver Gasket	DG0060	2

Fasteners and Misc. Components

Where used	Description	Part number	Qty
2 or 3	Float Switch Mounting Flange (for Units built between 1965-1998)	DA0200	1
2 or 3	Float Switch Flange Gasket (for Units built between 1965-1998)	DG0131	1
2 or 3	Float Switch Flange Mounting Studs (for Units built between 1965-1998)	DJ0471	6
2 or 3	Float Switch Flange Nuts (for Units built between 1965-1998)	P52380	6
Pump Mounting	Stud	DJ0479	8
Pump Mounting	Stud (CBE)	DJ0479	8
Prime opening	Pipe Plug	F08400	1
Drain	Drain Plug	U19200	1
Air relief connection	Pipe Plug	P39040	1
Air relief connection	Pipe Plug (CBE)	P39040	1
Air relief connection	Elbow 1/4NPT (CBE)	DF0507	1
Air relief connection	Connector ((Straight(CBE))	DF0506	4
Air relief connection	Elbow 1/4NPT (CBE)	DF0511	1
Air relief connection	Copper tubing for Air relief CBE	X42104	4.5 ft.
9 & 10	Nut (Pump Mounting)	F11400	8
9 & 10	Nut (CBE)	F11400	8
9 & 10	Blind Flange (CBE)	DF0211	1
9 & 10	Blind Flange (CC,CB & CBE)	DF0210	1
3	Pipe Plug (2-1/2")	F12200	3

250 Gallon Cast Iron Receiver for Simplex Pumps

Item #	Description	Part Number	Qty
1	Receiver	DR0308	1
1	Receiver for elevated unit (CBE)	DR0315	1
1	Fabricated stand to Elevate CBE unit	Consult factory	1
2	Float Switch Assembly	DA0393	1
2a	Float only	DA0165	1
4a	Gauge Glass Valve Set	DV0343	1
4b	Gauge Glass	DV0357	1
4c	Guard Rods	DV0384	2
5	Dial Thermometer	DA0101	1
5	Angle Thermometer	DA0104	1
6	Inlet Basket Strainer	DA0183	1
6a	Strainer Screen only	DA0019	1
6b	Strainer Gasket only	DG0161	1
7a	Discharge Pressure Gauge, 3-1/2" dia., 0-40 psi	DA0113	1
7a	Discharge Pressure Gauge, 3-1/2" dia., 41-90 psi	DA0110	1
7b	Elbow 1/4NPT	DF0161	1
7c	Nipple	DL0022	1
7d	Gage Cock 1/4 FPT	DV0325	1
7e	Coupling, Extender for 620PF & 650PF Pumps	DF0076	1
7f	Nipple, Extender for 620PF & 650PF Pumps	DL0021	1
7g	Cock (41 psi or larger)	S11657	1
8	Lifting Eye	DJ0322	2
11	Butterfly Valve Assembly (for CC units up to 75 gpm / CB units to 50 gpm)	180090	1
11	Butterfly Valve Assembly (for CC units above 76 gpm / CB units above 51 gpm)	DV0095	1
	Suction Pipe Assembly for CBE unit	Consult factory	1
	Pump Mounting gasket (for CBE)	DG0060	1
12	Volute to Receiver Gasket	DG0060	2

Fasteners and Misc. Components

Where used	Description	Part number	Qty
Pump Mounting	Stud	DJ0479	16
Pump Mounting	Stud (CBE)	DJ0479	8
Prime opening	Pipe Plug	F08400	1
Drain	Drain Plug	U19200	2
Receiver	Bushing	DF0055	1
Air relief connection	Pipe Plug	P39020	1
Air relief connection	Pipe Plug (CBE)	P39020	1
Air relief connection	Elbow 1/4NPT (CBE)	DF0507	1
Air relief connection	Connector ((Straight(CBE))	DF0506	1
Air relief connection	Copper tubing for Air relief CBE	X42104	2 ft.
9 & 10	Nut (Pump Mounting)	F11400	20
9 & 10	Nut (CBE)	F11400	8
9 & 10	Blind Flange (CBE)	DF0211	1
9 & 10	Blind Flange (CC,CB & CBE)	DF0210	3
3	Pipe Plug (2-1/2")	F12200	3

250 Gallon Cast Iron Receiver for Duplex Pumps

Item #	Description	Part Number	Qty
1	Receiver	DR0308	1
1	Receiver for elevated unit (CBE)	DR0315	1
1	Fabricated stand to Elevate CBE unit	Consult factory	1
2	Float Switch Assembly	DA0393	2
2a	Float only	DA0165	2
4a	Gauge Glass Valve Set	DV0343	1
4b	Gauge Glass	DV0357	1
4c	Guard Rods	DV0384	2
5	Dial Thermometer	DA0101	1
5	Angle Thermometer	DA0104	1
6	Inlet Basket Strainer	DA0183	1
6a	Strainer Screen only	DA0019	1
6b	Strainer Gasket only	DG0161	1
7a	Discharge Pressure Gauge, 3-1/2" dia., 0-40 psi	DA0113	2
7a	Discharge Pressure Gauge, 3-1/2" dia., 41-90 psi	DA0110	2
7b	Elbow 1/4NPT	DF0161	2
7c	Nipple	DL0022	2
7d	Gage Cock 1/4 FPT	DV0325	2
7e	Coupling, Extender for 620PF & 650PF Pumps	DF0076	2
7f	Nipple, Extender for 620PF & 650PF Pumps	DL0021	2
7g	Cock (41 psi or larger)	S11657	2
8	Lifting Eye	DJ0322	2
11	Butterfly Valve Assembly (for CC units up to 75 gpm / CB units to 50 gpm)	180090	2
11	Butterfly Valve Assembly (for CC units above 76 gpm / CB units above 51 gpm)	DV0095	2
	Suction Pipe Assembly for CBE unit	Consult factory	1
	Pump Mounting gasket (for CBE)	DG0060	2
12	Volute to Receiver Gasket	DG0060	2

Fasteners and Misc. Components

Where used	Description	Part number	Qty
Pump Mounting	Stud	DJ0479	16
Pump Mounting	Stud (CBE)	DJ0479	8
Prime opening	Pipe Plug	F08400	1
Drain	Drain Plug	U19200	2
Receiver	Pipe Plug	P38880	2
Receiver	Bushing	DF0055	1
Air relief connection	Pipe Plug	H47900	1
Air relief connection	Pipe Plug (CBE)	W08500	1
Air relief connection	Elbow 1/4NPT (CBE)	DF0511	2
Air relief connection	Connector ((Straight(CBE))	DF0506	4
Air relief connection	Copper tubing for Air relief CBE	X42104	5 ft.
9 & 10	Nut (Pump Mounting)	F11400	20
9 & 10	Nut (CBE)	F11400	8
9 & 10	Blind Flange (CBE)	DF0211	2
9 & 10	Blind Flange (CC, CB & CBE)	DF0210	2
3	Pipe Plug (2-1/2")	F12200	3

6 Gallon Steel Receiver Simplex

Item #	Description	Part Number	Qty
1	Receiver	DT0843	1
	Receiver (for units using 609 PF Pumps)	DT0766	1
2	Float switch Assembly NEMA 1	DA0393	1
2a	Float Ball only	DA0165	1
6	Inlet Basket Strainer	DA0180	1
6a	Strainer Screen only	DA0016	1
6b	Strainer Gasket only	DG0160	1
7a	Discharge Pressure Gauge, 3-1/2" dia., 0-60 psi	DA0113	1
7b	Elbow 1/4NPT	DF0161	1
7c	Nipple	DL0022	1
7d	Gage Cock 1/4 FPT	DV0325	1
11	Butterfly valve assembly	180090	1
12	Pump to Receiver Gasket	DG0060	1
	Capscrew	K03600	
	Drain Plug	H47900	1

9 Gallon Steel Receiver Simplex

Item #	Description	Part Number	Qty
1	Receiver	DT0844	1
1	Receiver (for units with 609 PF pumps)	DT0769	1
2	Float switch Assembly NEMA 1	DA0393	1
2a	Float Ball only	DA0165	1
6	Inlet Basket Strainer	DA0180	1
6a	Strainer Screen only	DA0016	1
6b	Strainer Gasket only	DG0160	1
7a	Discharge Pressure Gauge, 3-1/2" dia., 0-60 psi	DA0113	1
7b	Elbow 1/4NPT	DF0161	1
7c	Nipple	DL0022	1
7d	Gage Cock 1/4 FPT	DV0325	1
11	Butterfly valve assembly	180090	1
12	Pump to Receiver Gasket	DG0060	1
	Drain Plug	H47900	1

14 Gallon Steel Receiver Simplex

Item #	Description	Part Number	Qty
1	Receiver	DT0845	1
1	Receiver (for unit with 609 PF pumps)	DT0772	1
2	Float switch Assembly NEMA 1	DA0393	1
2a	Float Ball only	DA0165	1
6	Inlet Basket Strainer	DA0180	1
6a	Strainer Screen only	DA0016	1
6b	Strainer Gasket only	DG0160	1
7a	Discharge Pressure Gauge, 3-1/2" dia., 0-40 psi	DA0113	1
7a	Discharge Pressure Gauge, 3-1/2" dia., 41-90 psi	DA0110	1
7b	Elbow 1/4NPT	DF0161	1
7c	Nipple	DL0022	1
7d	Gage Cock 1/4 FPT	DV0325	1
7e	Coupling, Extender for 620PF & 650PF Pumps	DF0076	1
7f	Nipple, Extender for 620PF & 650PF Pumps	DL0021	1
7g	Cock (41 psi or larger)	S11657	1
	Gauge Glass Holder	DV0343	1
	Gauge Glass	DV0346	1
	Guard Rods	DV0367	2
	Dial Thermomter	DA0101	1
11	Butterfly valve assembly	180090	1
12	Pump to Receiver Gasket	DG0060	2

Fasteners and Misc. Components

Where used	Description	Part number	Qty
1	Blind Flange	DF0210	1
1	Drain Plug	H47900	1
Pump Mounting	Studs	DJ0479	8
Pump Mounting	Nuts	F11400	8

14 Gallon Steel Receiver Duplex

Item #	Description	Part Number	Qty
1	Receiver	DT0845	1
1	Receiver (for unit with 609 PF pumps)	DT0772	1
2	Mechanical Alternator Assembly NEMA 1	DA0361	1
2a	Float Ball only	DA0165	1
6	Inlet Basket Strainer	DA0180	1
6a	Strainer Screen only	DA0016	1
6b	Strainer Gasket only	DG0160	1
7a	Discharge Pressure Gauge, 3-1/2" dia., 0-40 psi	DA0113	2
7a	Discharge Pressure Gauge, 3-1/2" dia., 41-90 psi	DA0110	2
7b	Elbow 1/4NPT	DF0161	2
7c	Nipple	DL0022	2
7d	Gage Cock 1/4 FPT	DV0325	2
7e	Coupling, Extender for 620PF & 650PF Pumps	DF0076	2
7f	Nipple, Extender for 620PF & 650PF Pumps	DL0021	2
7g	Cock (41 psi or larger)	S11657	2
	Gauge Glass Holder	DV0343	1
	Gauge Glass	DV0346	1
	Guard Rods	DV0367	2
	Dial Thermomter	DA0101	1
11	Butterfly valve assembly	180090	2
12	Pump to Receiver Gasket	DG0060	2

Fasteners and Misc. Components

Where used	Description	Part number	Qty
1	Drain Plug	H47900	1
Pump Mounting	Studs	DJ0479	8
Pump Mounting	Nuts	F11400	8
9 & 10	Blind Flange	DF0210	1
Butterfly Valve	Capscrews	K03600	8
Butterfly Valve	Nuts	F11400	8

23 Gallon Steel Receiver for Simplex Pumps

Item #	Description	Part Number	Qty
1	Receiver	DT0775	1
2	Float Switch Assembly	DA0393	1
2a	Float Ball only	DA0165	1
4a	Gauge Glass Valve Set	DV0343	1
4b	Gauge Glass	DV0347	1
4c	Guard Rods	DV0367	2
5	Dial Thermometer	DA0101	1
5	Angle Thermometer	DA0104	1
6	Inlet Basket Strainer	DA0180	1
6a	Strainer Screen only	DA0016	1
6b	Strainer Gasket only	DG0160	1
7a	Discharge Pressure Gauge, 3-1/2" dia., 0-40 psi	DA0113	1
7a	Discharge Pressure Gauge, 3-1/2" dia., 41-90 psi	DA0110	1
7b	Elbow 1/4NPT	DF0161	1
7c	Nipple	DL0022	1
7d	Gage Cock 1/4 FPT	DV0325	1
7e	Coupling, Extender for 620PF & 650PF Pumps	DF0076	1
7f	Nipple, Extender for 620PF & 650PF Pumps	DL0021	1
7g	Cock (41 psi or larger)	S11657	1
11	Butterfly Valve Assembly	180090	1
12	Volute to Receiver Gasket	DG0060	2

Fasteners and Misc. Components

Where used	Description	Part number	Qty
Pump Mounting	Stud	DJ0479	8
Prime opening	Pipe Plug	F08400	1
Drain	Drain Plug	U19200	1
Air relief	Plug	DF0292	1
9 & 10	Blind Flange	DF0210	1
Pump Mounting	Nut	F11400	8
3	Pipe Plug (2-1/2")	F12200	1

23 Gallon Steel Receiver for Duplex Pumps

Item #	Description	Part Number	Qty
1	Receiver	DT0775	1
2	Float Switch Assembly NEMA 1	DA0393	2
2a	Float Ball only (only one required for Mechanical Alternator)	DA0165	2
2	Mechanical Alternator Assembly NEMA 1 (in lieu of 2 Float Switches)	DA0361	1
4a	Gauge Glass Valve Set	DV0343	1
4b	Gauge Glass	DV0347	1
4c	Guard Rods	DV0367	2
5	Dial Thermometer	DA0101	1
5	Angle Thermometer	DA0104	1
6	Inlet Basket Strainer	DA0180	1
6a	Strainer Screen only	DA0016	1
6b	Strainer Gasket only	DG0160	1
7a	Discharge Pressure Gauge, 3-1/2" dia., 0-40 psi	DA0113	2
7a	Discharge Pressure Gauge, 3-1/2" dia., 41-90 psi	DA0110	2
7b	Elbow 1/4NPT	DF0161	2
7c	Nipple	DL0022	2
7d	Gage Cock 1/4 FPT	DV0325	2
7e	Coupling, Extender for 620PF & 650PF Pumps	DF0076	2
7f	Nipple, Extender for 620PF & 650PF Pumps	DL0021	2
7g	Cock (41 psi or larger)	S11657	2
11	Butterfly Valve Assembly	180090	2
12	Volute to Receiver Gasket	DG0060	2

Fasteners and Misc. Components

Where used	Description	Part number	Qty
Pump Mounting	Stud	DJ0479	8
Prime opening	Pipe Plug	F08400	1
Drain	Drain Plug	U19200	1
Air relief	Plug	DF0292	1
9 & 10	Blind Flange	DF0210	1
Pump Mounting	Nut	F11400	8
3	Pipe Plug (2-1/2")	F12200	1

36 Gallon Steel Receiver for Duplex Pumps

Item #	Description	Part Number	Qty
1	Receiver	DT0778	1
2	Float Switch Assembly NEMA 1	DA0393	2
2a	Float Ball only (only one required for Mechanical Alternator)	DA0165	2
2	Mechanical Alternator Assembly NEMA 1 (in lieu of 2 Float Switches)	DA0361	1
4a	Gauge Glass Valve Set	DV0343	1
4b	Gauge Glass	DV0350	1
4c	Guard Rods	DV0368	2
5	Dial Thermometer	DA0101	1
5	Angle Thermometer	DA0104	1
6	Inlet Basket Strainer	DA0182	1
6a	Strainer Screen only	DA0018	1
6b	Strainer Gasket only	DG0160	1
7a	Discharge Pressure Gauge, 3-1/2" dia., 0-40 psi	DA0113	2
7a	Discharge Pressure Gauge, 3-1/2" dia., 41-90 psi	DA0110	2
7b	Elbow 1/4NPT	DF0161	2
7c	Nipple	DL0022	2
7d	Gage Cock 1/4 FPT	DV0325	2
7e	Coupling, Extender for 620PF & 650PF Pumps	DF0076	2
7f	Nipple, Extender for 620PF & 650PF Pumps	DL0021	2
7g	Cock (41 psi or larger)	S11657	2
11	Butterfly Valve Assembly	180090	2
12	Volute to Receiver Gasket	DG0060	2

Fasteners and Misc. Components

Where used	Description	Part number	Qty
Pump Mounting	Stud	DJ0479	8
Prime opening	Pipe Plug	F08400	1
Drain	Drain Plug	U19200	1
Air relief	Plug	DF0292	1
9 & 10	Blind Flange	DF0210	1
Pump Mounting	Nut	F11400	8
3	Pipe Plug (2-1/2")	F12200	1

36 Gallon Steel Receiver for Duplex Pumps

Item #	Description	Part Number	Qty
1	Receiver	DT0778	1
2	Float Switch Assembly NEMA 1	DA0393	2
2a	Float Ball only (only one required for Mechanical Alternator)	DA0165	2
2	Mechanical Alternator Assembly NEMA 1 (in lieu of 2 Float Switches)	DA0361	1
4a	Gauge Glass Valve Set	DV0343	1
4b	Gauge Glass	DV0350	1
4c	Guard Rods	DV0368	2
5	Dial Thermometer	DA0101	1
5	Angle Thermometer	DA0104	1
6	Inlet Basket Strainer	DA0182	1
6a	Strainer Screen only	DA0018	1
6b	Strainer Gasket only	DG0160	1
7a	Discharge Pressure Gauge, 3-1/2" dia., 0-40 psi	DA0113	2
7a	Discharge Pressure Gauge, 3-1/2" dia., 41-90 psi	DA0110	2
7b	Elbow 1/4NPT	DF0161	2
7c	Nipple	DL0022	2
7d	Gage Cock 1/4 FPT	DV0325	2
7e	Coupling, Extender for 620PF & 650PF Pumps	DF0076	2
7f	Nipple, Extender for 620PF & 650PF Pumps	DL0021	2
7g	Cock (41 psi or larger)	S11657	2
11	Butterfly Valve Assembly	180090	2
12	Volute to Receiver Gasket	DG0060	2

Fasteners and Misc. Components

Where used	Description	Part number	Qty
Pump Mounting	Stud	DJ0479	8
Prime opening	Pipe Plug	F08400	1
Drain	Drain Plug	U19200	1
Air relief	Plug	DF0292	1
9 & 10	Blind Flange	DF0210	1
Pump Mounting	Nut	F11400	8
3	Pipe Plug (2-1/2")	F12200	1

52 Gallon Steel Receiver for Simplex Pumps

Item #	Description	Part Number	Qty
1	Receiver	DT0781	1
2	Float Switch Assembly NEMA 1	DA0393	1
2a	Float Ball only	DA0165	1
4a	Gauge Glass Valve Set	DV0342	1
4b	Gauge Glass	DV0351	1
4c	Guard Rods	DV0383	2
5	Dial Thermometer	DA0101	1
5	Angle Thermometer	DA0104	1
6	Inlet Basket Strainer	DA0182	1
6a	Strainer Screen only	DA0018	1
6b	Strainer Gasket only	DG0160	1
7a	Discharge Pressure Gauge, 3-1/2" dia., 0-40 psi	DA0113	1
7a	Discharge Pressure Gauge, 3-1/2" dia., 41-90 psi	DA0110	1
7b	Elbow 1/4NPT	DF0161	1
7c	Nipple	DL0022	1
7d	Gage Cock 1/4 FPT	DV0325	1
7e	Coupling, Extender for 620PF & 650PF Pumps	DF0076	1
7f	Nipple, Extender for 620PF & 650PF Pumps	DL0021	1
7g	Cock (41 psi or larger)	S11657	1
11	Butterfly Valve Assembly	180090	1
12	Volute to Receiver Gasket	DG0060	2

Fasteners and Misc. Components

Where used	Description	Part number	Qty
Pump Mounting	Stud	DJ0479	8
Prime opening	Pipe Plug	F08400	1
Drain	Drain Plug	U19200	1
Air relief	Plug	DF0292	1
9 & 10	Blind Flange	DF0210	1
Pump Mounting	Nut	F11400	8
3	Pipe Plug (2-1/2")	F12200	1

52 Gallon Steel Receiver for Duplex Pumps

Item #	Description	Part Number	Qty
1	Receiver	DT0781	1
2	Float Switch Assembly NEMA 1	DA0393	2
2a	Float Ball only (only one required for Mechanical Alternator)	DA0165	2
2	Mechanical Alternator Assembly NEMA 1 (in lieu of 2 Float Switches)	DA0361	1
4a	Gauge Glass Valve Set	DV0342	1
4b	Gauge Glass	DV0351	1
4c	Guard Rods	DV0383	2
5	Dial Thermometer	DA0101	1
5	Angle Thermometer	DA0104	1
6	Inlet Basket Strainer	DA0182	1
6a	Strainer Screen only	DA0018	1
6b	Strainer Gasket only	DG0160	1
7a	Discharge Pressure Gauge, 3-1/2" dia., 0-40 psi	DA0113	2
7a	Discharge Pressure Gauge, 3-1/2" dia., 41-90 psi	DA0110	2
7b	Elbow 1/4NPT	DF0161	2
7c	Nipple	DL0022	2
7d	Gage Cock 1/4 FPT	DV0325	2
7e	Coupling, Extender for 620PF & 650PF Pumps	DF0076	2
7f	Nipple, Extender for 620PF & 650PF Pumps	DL0021	2
7g	Cock (41 psi or larger)	S11657	2
11	Butterfly Valve Assembly	180090	2
12	Volute to Receiver Gasket	DG0060	2

Fasteners and Misc. Components

Where used	Description	Part number	Qty
Pump Mounting	Stud	DJ0479	8
Prime opening	Pipe Plug	F08400	1
Drain	Drain Plug	U19200	1
Air relief	Plug	DF0292	1
9 & 10	Blind Flange	DF0210	1
Pump Mounting	Nut	F11400	8
3	Pipe Plug (2-1/2")	F12200	1

75 Gallon Steel Receiver for Simplex Pumps

Item #	Description	Part Number	Qty
1	Receiver	DT0784	1
2	Float Switch Assembly	DA0393	1
2a	Float Ball only	DA0165	1
4a	Gauge Glass Valve Set	DV0343	1
4b	Gauge Glass	DV0354	1
4c	Guard Rods	DV0384	2
5	Dial Thermometer	DA0101	1
5	Angle Thermometer	DA0104	1
6	Inlet Basket Strainer	DA0183	1
6a	Strainer Screen only	DA0019	1
6b	Strainer Gasket only	DG0161	1
7a	Discharge Pressure Gauge, 3-1/2" dia., 0-40 psi	DA0113	1
7a	Discharge Pressure Gauge, 3-1/2" dia., 41-90 psi	DA0110	1
7b	Elbow 1/4NPT	DF0161	1
7c	Nipple	DL0022	1
7d	Gage Cock 1/4 FPT	DV0325	1
7e	Coupling, Extender for 620PF & 650PF Pumps	DF0076	1
7f	Nipple, Extender for 620PF & 650PF Pumps	DL0021	1
7g	Cock (41 psi or larger)	S11657	1
11	Butterfly Valve Assembly	180090	1
12	Volute to Receiver Gasket	DG0060	2

Fasteners and Misc. Components

Where used	Description	Part number	Qty
Pump Mounting	Stud	DJ0479	8
Prime opening	Pipe Plug	F08400	1
Drain	Drain Plug	U19200	1
Air relief	Plug	DF0292	1
9 & 10	Blind Flange	DF0210	1
Pump Mounting	Nut	F11400	8
3	Pipe Plug (2-1/2")	F12200	1

75 Gallon Steel Receiver for Duplex Pumps

Item #	Description	Part Number	Qty
1	Receiver	DT0784	1
2	Float Switch Assembly NEMA 1	DA0393	2
2a	Float Ball only (only one required for Mechanical Alternator)	DA0165	2
2	Mechanical Alternator Assembly NEMA 1 (in lieu of 2 Float Switches)	DA0361	1
4a	Gauge Glass Valve Set	DV0343	1
4b	Gauge Glass	DV0354	1
4c	Guard Rods	DV0384	2
5	Dial Thermometer	DA0101	1
5	Angle Thermometer	DA0104	1
6	Inlet Basket Strainer	DA0183	1
6a	Strainer Screen only	DA0019	1
6b	Strainer Gasket only	DG0161	1
7a	Discharge Pressure Gauge, 3-1/2" dia., 0-40 psi	DA0113	2
7a	Discharge Pressure Gauge, 3-1/2" dia., 41-90 psi	DA0110	2
7b	Elbow 1/4NPT	DF0161	2
7c	Nipple	DL0022	2
7d	Gage Cock 1/4 FPT	DV0325	2
7e	Coupling, Extender for 620PF & 650PF Pumps	DF0076	2
7f	Nipple, Extender for 620PF & 650PF Pumps	DL0021	2
7g	Cock (41 psi or larger)	S11657	2
11	Butterfly Valve Assembly (1-75 GPM PUMPS)	180090	2
11	Butterfly Valve Assembly (76-115 GPM PUMPS)	DV0095	2
12	Volute to Receiver Gasket	DG0060	2

Fasteners and Misc. Components

Where used	Description	Part number	Qty
Pump Mounting	Stud	DJ0479	8
Prime opening	Pipe Plug	F08400	1
Drain	Drain Plug	U19200	1
Air relief	Plug	DF0292	1
9 & 10	Blind Flange	DF0210	1
Pump Mounting	Nut	F11400	8
3	Pipe Plug (2-1/2")	F12200	1

120 Gallon Steel Receiver for Simplex Pumps

Item #	Description	Part Number	Qty
1	Receiver	DT0787	1
2	Float Switch Assembly	DA0393	1
2a	Float Ball only	DA0165	1
4a	Gauge Glass Valve Set	DV0343	1
4b	Gauge Glass	DV0356	1
4c	Guard Rods	DV0384	2
5	Dial Thermometer	DA0101	1
5	Angle Thermometer	DA0104	1
6	Inlet Basket Strainer	DA0183	1
6a	Strainer Screen only	DA0019	1
6b	Strainer Gasket only	DG0161	1
7a	Discharge Pressure Gauge, 3-1/2" dia., 0-40 psi	DA0113	1
7a	Discharge Pressure Gauge, 3-1/2" dia., 41-90 psi	DA0110	1
7b	Elbow 1/4NPT	DF0161	1
7c	Nipple	DL0022	1
7d	Gage Cock 1/4 FPT	DV0325	1
7e	Coupling, Extender for 620PF & 650PF Pumps	DF0076	1
7f	Nipple, Extender for 620PF & 650PF Pumps	DL0021	1
7g	Cock (41 psi or larger)	S11657	1
11	Butterfly Valve Assembly	180090	1
12	Volute to Receiver Gasket	DG0060	2

Fasteners and Misc. Components

Where used	Description	Part number	Qty
Pump Mounting	Stud	DJ0479	8
Prime opening	Pipe Plug	F08400	1
Drain	Drain Plug	U19200	1
Air relief	Plug	DF0292	1
9 & 10	Blind Flange	DF0210	1
Pump Mounting	Nut	F11400	8
3	Pipe Plug (2-1/2")	F12200	1

120 Gallon Steel Receiver for Duplex Pumps

Item #	Description	Part Number	Qty
1	Receiver	DT0787	1
2	Float Switch Assembly NEMA 1	DA0393	2
2a	Float Ball only (only one required for Mechanical Alternator)	DA0165	2
2	Mechanical Alternator Assembly NEMA 1 (in lieu of 2 Float Switches)	DA0361	1
4a	Gauge Glass Valve Set	DV0343	1
4b	Gauge Glass	DV0356	1
4c	Guard Rods	DV0384	2
5	Dial Thermometer	DA0101	1
5	Angle Thermometer	DA0104	1
6	Inlet Basket Strainer	DA0183	1
6a	Strainer Screen only	DA0019	1
6b	Strainer Gasket only	DG0161	1
7a	Discharge Pressure Gauge, 3-1/2" dia., 0-40 psi	DA0113	2
7a	Discharge Pressure Gauge, 3-1/2" dia., 41-90 psi	DA0110	2
7b	Elbow 1/4NPT	DF0161	2
7c	Nipple	DL0022	2
7d	Gage Cock 1/4 FPT	DV0325	2
7e	Coupling, Extender for 620PF & 650PF Pumps	DF0076	2
7f	Nipple, Extender for 620PF & 650PF Pumps	DL0021	2
7g	Cock (41 psi or larger)	S11657	2
11	Butterfly Valve Assembly (1-75 GPM PUMPS)	180090	2
11	Butterfly Valve Assembly (76-115 GPM PUMPS)	DV0095	2
12	Volute to Receiver Gasket	DG0060	2

Fasteners and Misc. Components

Where used	Description	Part number	Qty
Pump Mounting	Stud	DJ0479	8
Prime opening	Pipe Plug	F08400	1
Drain	Drain Plug	U19200	1
Air relief	Plug	DF0292	1
9 & 10	Blind Flange	DF0210	1
Pump Mounting	Nut	F11400	8
3	Pipe Plug (2-1/2")	F12200	1

250 Gallon Steel Receiver for Simplex Pumps

Item #	Description	Part Number	Qty
1	Receiver	DT0418	1
2	Float Switch Assembly	DA0393	1
2a	Float Ball only	DA0165	1
4a	Gauge Glass Valve Set	DV0343	1
4b	Gauge Glass	DV0357	1
4c	Guard Rods	DV0384	2
5	Dial Thermometer	DA0101	1
5	Angle Thermometer	DA0104	1
6	Inlet Basket Strainer	DA0183	1
6a	Strainer Screen only	DA0019	1
6b	Strainer Gasket only	DG0161	1
7a	Discharge Pressure Gauge, 3-1/2" dia., 0-40 psi	DA0113	1
7a	Discharge Pressure Gauge, 3-1/2" dia., 41-90 psi	DA0110	1
7b	Elbow 1/4NPT	DF0161	1
7c	Nipple	DL0022	1
7d	Gage Cock 1/4 FPT	DV0325	1
7e	Coupling, Extender for 620PF & 650PF Pumps	DF0076	1
7f	Nipple, Extender for 620PF & 650PF Pumps	DL0021	1
7g	Cock (41 psi or larger)	S11657	1
11	Butterfly Valve Assembly	180090	1
12	Volute to Receiver Gasket	DG0060	2

Fasteners and Misc. Components

Where used	Description	Part number	Qty
Pump Mounting	Stud	DJ0479	8
Prime opening	Pipe Plug	F08400	1
Drain	Drain Plug	U19200	1
Air relief	Plug	DF0292	1
9 & 10	Blind Flange	DF0210	1
Pump Mounting	Nut	F11400	8
3	Pipe Plug (2-1/2")	F12200	1

250 Gallon Steel Receiver for Duplex Pumps

Item #	Description	Part Number	Qty
1	Receiver	DT0416	1
2	Float Switch Assembly NEMA 1	DA0393	2
2a	Float Ball only (only one required for Mechanical Alternator)	DA0165	2
2	Mechanical Alternator Assembly NEMA 1 (in lieu of 2 Float Switches)	DA0361	1
4a	Gauge Glass Valve Set	DV0343	1
4b	Gauge Glass	DV0357	1
4c	Guard Rods	DV0384	2
5	Dial Thermometer	DA0101	1
5	Angle Thermometer	DA0104	1
6	Inlet Basket Strainer	DA0183	1
6a	Strainer Screen only	DA0019	1
6b	Strainer Gasket only	DG0161	1
7a	Discharge Pressure Gauge, 3-1/2" dia., 0-40 psi	DA0113	2
7a	Discharge Pressure Gauge, 3-1/2" dia., 41-90 psi	DA0110	2
7b	Elbow 1/4NPT	DF0161	2
7c	Nipple	DL0022	2
7d	Gage Cock 1/4 FPT	DV0325	2
7e	Coupling, Extender for 620PF & 650PF Pumps	DF0076	2
7f	Nipple, Extender for 620PF & 650PF Pumps	DL0021	2
7g	Cock (41 psi or larger)	S11657	2
11	Butterfly Valve Assembly (1-75 GPM PUMPS)	180090	2
11	Butterfly Valve Assembly (76-115 GPM PUMPS)	DV0095	2
12	Volute to Receiver Gasket	DG0060	2

Fasteners and Misc. Components

Where used	Description	Part number	Qty
Pump Mounting	Stud	DJ0479	8
Prime opening	Pipe Plug	F08400	1
Drain	Drain Plug	U19200	1
Air relief	Plug	DF0292	1
9 & 10	Blind Flange	DF0210	1
Pump Mounting	Nut	F11400	8
3	Pipe Plug (2-1/2")	F12200	3

Suction Piping for CBE units rated 6, 9, 12, 15 and 22 GPM

ITEM #	DESCRIPTION	PART NO.	QTY.
	1 1/2" Suction Line for 23 gal. receiver	DL2101	
1	Bushing	N/A	
2	Bushing	N/A	
3	Nipple	J89377	1
4	Gate Valve	S77554	1
5	Nipple		1
6	Dresser Elbow	DF0123	1
7	Pipe (threaded one end)	X42702	1
8	Suction Flange	DP0948	1
9	Nut	F11400	2
10	Capscrew	P45110	2

For 9, 12, 15 and 22 GPM

ITEM #	DESCRIPTION	PART NO.	QTY.
	1 1/2" Suction Line for 36 gal. receiver	DL2102	
1	Bushing	DF0034	1
2	Bushing	N/A	
3	Nipple	J89377	1
4	Gate Valve	S77554	1
5	Nipple		1
6	Dresser Elbow	DF0123	1
7	Pipe (threaded one end)	X42702	1
8	Suction Flange	DP0948	1
9	Nut	F11400	2
10	Capscrew	P45110	2

For 9, 12, 15 and 22 GPM

ITEM #	DESCRIPTION	PART NO.	QTY.
	1 1/2" Suction Line for 52 gal. receiver	DL2103	
1	Bushing	DF0040	1
2	Bushing	N/A	
3	Nipple	J89377	1
4	Gate Valve	S77554	1
5	Nipple		1
6	Dresser Elbow	DF0123	1
7	Pipe (threaded one end)	X42702	1
8	Suction Flange	DP0948	1
9	Nut	F11400	2
10	Capscrew	P45110	2

For 9, 12, 15 and 22 GPM

ITEM #	DESCRIPTION	PART NO.	QTY.
	1 1/2" Suction Line for 75 gal. receiver	DL2104	
1	Bushing	DF0034	1
2	Bushing	J89430	1
3	Nipple	J89377	1
4	Gate Valve	S77554	1
5	Nipple		1
6	Dresser Elbow	DF0123	1
7	Pipe (threaded one end)	X42702	1
8	Suction Flange	DP0948	1
9	Nut	F11400	2
10	Capscrew	P45110	2

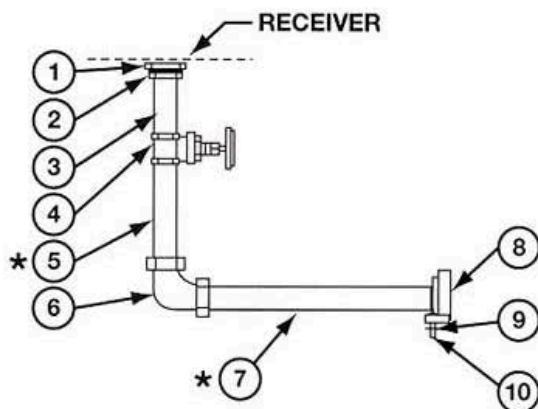
For 9, 12, 15 and 22 GPM

ITEM #	DESCRIPTION	PART NO.	QTY.
	1 1/2" Suction Line for 120 gal. receiver	DL2105	
1	Bushing	DF0046	1
2	Bushing	DF0055	1
3	Nipple	J89377	1
4	Gate Valve	S77554	1
5	Nipple		1
6	Dresser Elbow	DF0123	1
7	Pipe (threaded one end)	X42702	1
8	Suction Flange	DP0948	1
9	Nut	F11400	2
10	Capscrew	P45110	2

For 9, 12, 15 and 22 GPM

ITEM #	DESCRIPTION	PART NO.	QTY.
	1 1/2" Suction Line for 250 gal. receiver	DL2106	
1	Bushing	DF0046	1
2	Bushing	DF0055	1
3	Nipple	J89377	1
4	Gate Valve	S77554	1
5	Nipple		1
6	Dresser Elbow	DF0123	1
7	Pipe (threaded one end)	X42702	1
8	Suction Flange	DP0948	1
9	Nut	F11400	2
10	Capscrew	P45110	2

For 9, 12, 15 and 22 GPM



* PIPE LENGTHS GIVEN ARE NOMINAL
CUT TO FIT AT ASSEMBLY

Suction Piping for CBE units rated 30 and 37 GPM

ITEM #	DESCRIPTION	PART NO.	QTY.
	2" Suction Line for 36 gal. receiver	DL2107	
1	Bushing	N/A	
2	Bushing	N/A	
3	Nipple	S38120	1
4	Gate Valve	S77555	1
5	Nipple		1
6	Dresser Elbow	DF0124	1
7	Pipe (threaded one end)	X42706	1
8	Suction Flange	DP0998	1
9	Nut	F11400	2
10	Capscrew	P45110	2

For 30 and 37 GPM

ITEM #	DESCRIPTION	PART NO.	QTY.
	2" Suction Line for 52 gal. receiver	DL2108	
1	Bushing	DF0041	1
2	Bushing	N/A	
3	Nipple	S38120	1
4	Gate Valve	S77555	1
5	Nipple		1
6	Dresser Elbow	DF0124	1
7	Pipe (threaded one end)	X42706	1
8	Suction Flange	DP0998	1
9	Nut	F11400	2
10	Capscrew	P45110	2

For 30 and 37 GPM

ITEM #	DESCRIPTION	PART NO.	QTY.
	2" Suction Line for 75 gal. receiver	DL2109	
1	Bushing	J89430	1
2	Bushing	N/A	
3	Nipple	S38120	1
4	Gate Valve	S77555	1
5	Nipple		1
6	Dresser Elbow	DF0124	1
7	Pipe (threaded one end)	X42706	1
8	Suction Flange	DP0998	1
9	Nut	F11400	2
10	Capscrew	P45110	2

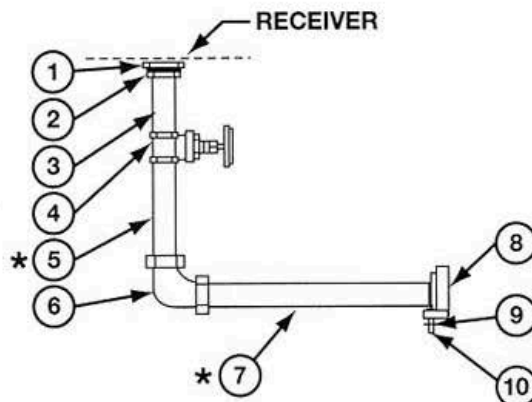
For 30 and 37 GPM

ITEM #	DESCRIPTION	PART NO.	QTY.
	2" Suction Line for 120 gal. receiver	DL2110	
1	Bushing	J89430	1
2	Bushing	DF0055	1
3	Nipple	S38120	1
4	Gate Valve	S77555	1
5	Nipple		1
6	Dresser Elbow	DF0124	1
7	Pipe (threaded one end)	X42706	1
8	Suction Flange	DP0998	1
9	Nut	F11400	2
10	Capscrew	P45110	2

For 30 and 37 GPM

ITEM #	DESCRIPTION	PART NO.	QTY.
	2" Suction Line for 250 gal. receiver	DL2111	
1	Bushing	J89430	1
2	Bushing	DF0055	1
3	Nipple	S38120	1
4	Gate Valve	S77555	1
5	Nipple		1
6	Dresser Elbow	DF0124	1
7	Pipe (threaded one end)	X42706	1
8	Suction Flange	DP0998	1
9	Nut	F11400	2
10	Capscrew	P45110	2

For 30 and 37 GPM



* PIPE LENGTHS GIVEN ARE NOMINAL
CUT TO FIT AT ASSEMBLY

2-1/2" and 3" Suction Piping for CBE Units with Pumps using "A" Design Suction Flanges

ITEM #	DESCRIPTION	PART NO.	QTY.
	2 1/2" Suction Line for 52 gal. receiver	DL2112	
1	Bushing	N/A	1
2	Bushing	N/A	1
3	Nipple	DL0142	1
4	Gate Valve	DV1018	1
5	Nipple	DL0140	1
6	Union	DF0415	1
7	Pipe (threaded both ends)	X42707	0.5
8	Elbow	J89089	1
9	Pipe (threaded both ends)	X42707	1.625
10	Suction Flange	DP0992	2
11	Nut	F11400	2
12	Capscrew	P45110	2

For 45 GPM

ITEM #	DESCRIPTION	PART NO.	QTY.
	2 1/2" Suction Line for 120 gal. receiver	DL2114	
1	Bushing	DF0055	1
2	Bushing	DF0048	1
3	Nipple	DL0140	1
4	Gate Valve	DV1018	1
5	Nipple	DL0140	1
6	Union	DF0415	1
7	Pipe (threaded both ends)	X42707	0.5
8	Elbow	J89089	1
9	Pipe (threaded both ends)	X42707	1.85
10	Suction Flange	DP0992	2
11	Nut	F11400	2
12	Capscrew	P45110	2

For 45 GPM

ITEM #	DESCRIPTION	PART NO.	QTY.
	3" Suction Line for 75 gal. receiver	DL2116	
1			
2			
3	Nipple	DL0155	1
4	Gate Valve	DV1019	1
5	Nipple	DL0153	1
6	Union	DF0416	1
7	Pipe (threaded both ends)	X42708	0.425
8	Elbow	DF0199	1
9	Pipe (threaded both ends)	X42708	1.6
10	Suction Flange	DP0996	2
11	Nut	F11400	2
12	Capscrew	P45110	2

For 60 and 75 GPM (except 614B, 618B and 625B Pumps)

ITEM #	DESCRIPTION	PART NO.	QTY.
	3" Suction Line for 250 gal. receiver	DL2118	
1	Bushing	DF0055	1
2			
3	Nipple	DL0153	1
4	Gate Valve	DV1019	1
5	Nipple	DL0153	1
6	Union	DF0416	1
7	Pipe (threaded both ends)	X42708	0.425
8	Elbow	DF0199	1
9	Pipe (threaded both ends)	X42708	1.4
10	Suction Flange	DP0996	2
11	Nut	F11400	2
12	Capscrew	P45110	2

For 60 and 75 GPM (except 614B, 618B and 625B Pumps)

ITEM #	DESCRIPTION	PART NO.	QTY.
	2 1/2" Suction Line for 75 gal. receiver	DL2113	
1	Bushing	DF0048	1
2	Bushing	N/A	1
3	Nipple	DL0142	1
4	Gate Valve	DV1018	1
5	Nipple	DL0140	1
6	Union	DF0415	1
7	Pipe (threaded both ends)	X42707	0.5
8	Elbow	J89089	1
9	Pipe (threaded both ends)	X42707	1.85
10	Suction Flange	DP0992	2
11	Nut	F11400	2
12	Capscrew	P45110	2

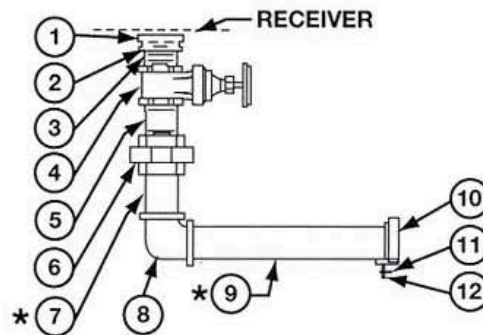
For 45 GPM

ITEM #	DESCRIPTION	PART NO.	QTY.
	2 1/2" Suction Line for 250 gal. receiver	DL2115	
1	Bushing	DF0055	1
2	Bushing	DF0048	1
3	Nipple	DL0140	1
4	Gate Valve	DV1018	1
5	Nipple	DL0140	1
6	Union	DF0415	1
7	Pipe (threaded both ends)	X42707	0.5
8	Elbow	J89089	1
9	Pipe (threaded both ends)	X42707	1.5
10	Suction Flange	DP0992	2
11	Nut	F11400	2
12	Capscrew	P45110	2

For 45 GPM

ITEM #	DESCRIPTION	PART NO.	QTY.
	3" Suction Line for 120 gal. receiver	DL2117	
1	Bushing	DF0055	1
2			
3	Nipple	DL0153	1
4	Gate Valve	DV1019	1
5	Nipple	DL0153	1
6	Union	DF0416	1
7	Pipe (threaded both ends)	X42708	0.425
8	Elbow	DF0199	1
9	Pipe (threaded both ends)	X42708	1.5
10	Suction Flange	DP0996	2
11	Nut	F11400	2
12	Capscrew	P45110	2

For 60 and 75 GPM (except 614B, 618B and 625B Pumps)



*** PIPE LENGTHS GIVEN ARE NOMINAL
CUT TO FIT AT ASSEMBLY**

3" Suction Piping for CBE Units using Pumps with "D" Design Suction Flanges

ITEM #	DESCRIPTION	PART NO.	QTY.
	3" Suction Line for 75 gal. receiver	DL2121	
1			
2	Nipple	DL0155	1
3	Gate Valve	DV1019	1
4	Nipple	DL0153	1
5	Union	DF0416	1
6	Pipe (threaded both ends)	X42708	0.425
7	Elbow	DF0199	1
8	Pipe (threaded both ends)	X42708	1.6
9	Bushing	DF0055	1
10	Suction Flange	DP0950	2
11	Nut	F11400	2
12	Capscrew	P45110	2

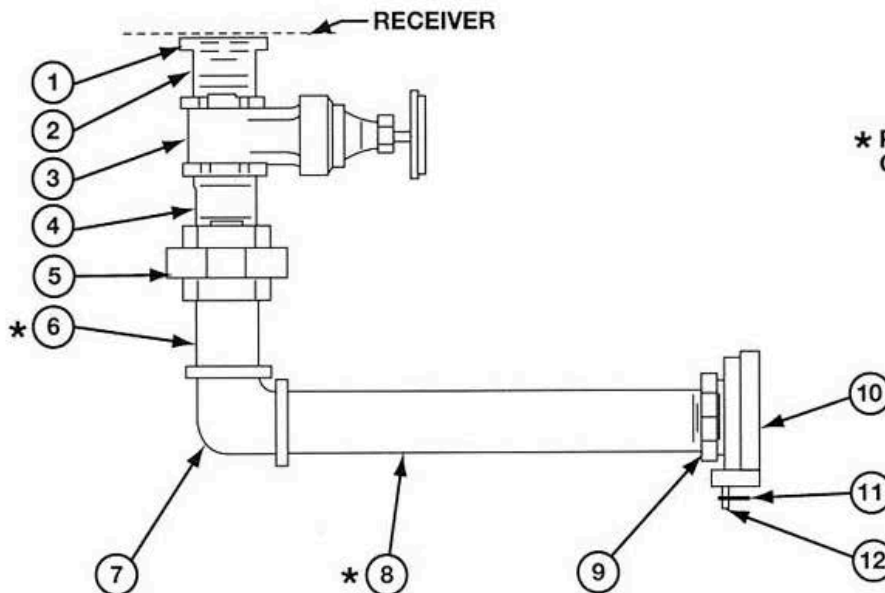
For 614B, 618B and 625B pumps rated 75 GPM

ITEM #	DESCRIPTION	PART NO.	QTY.
	3" Suction Line for 120 gal. receiver	DL2122	
1	Bushing	DF0055	1
2	Nipple	DL0153	1
3	Gate Valve	DV1019	1
4	Nipple	DL0153	1
5	Union	DF0416	1
6	Pipe (threaded both ends)	X42708	0.425
7	Elbow	DF0199	1
8	Pipe (threaded both ends)	X42708	1.525
9	Bushing	DF0055	1
10	Suction Flange	DP0950	1
11	Nut	F11400	2
12	Capscrew	P45110	2

For 614B, 618B and 625B pumps rated 75 GPM

ITEM #	DESCRIPTION	PART NO.	QTY.
	3" Suction Line for 250 gal. receiver	DL2123	
1	Bushing	DF0055	1
2	Nipple	DL0153	1
3	Gate Valve	DV1019	1
4	Nipple	DL0153	1
5	Union	DF0416	1
6	Pipe (threaded both ends)	X42708	0.425
7	Elbow	DF0199	1
8	Pipe (threaded both ends)	X42708	1.3
9	Bushing	DF0055	1
10	Suction Flange	DP0950	1
11	Nut	F11400	2
12	Capscrew	P45110	2

For 614B, 618B and 625B pumps rated 75 GPM



*** PIPE LENGTHS GIVEN ARE NOMINAL CUT TO FIT AT ASSEMBLY**

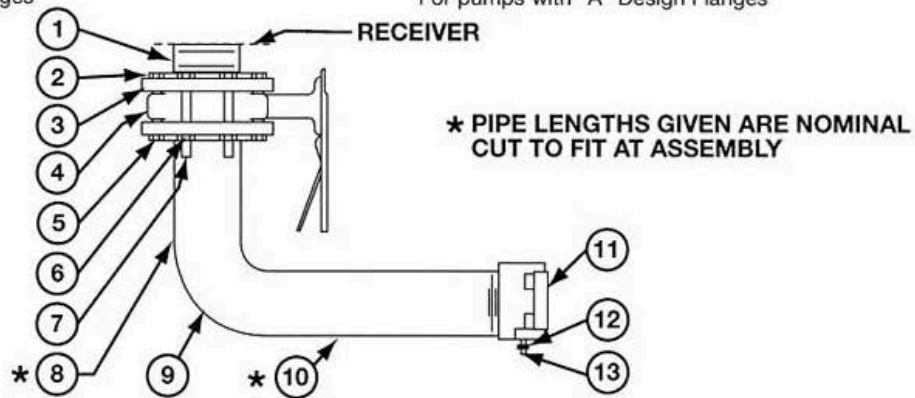
4" Suction Piping Arrangements

ITEM #	DESCRIPTION	PART NO.	QTY.
	4" Suction Line for 120 gal. receiver	DL2119	
1	Nipple	J96702	1
2	Flange	A25600	1
3	Butterfly Valve	S77471	1
4	Flange, Slip On	T29960	1
5	Capscrew	P19480	8
6	Nut	DJ0232	4
7	Bolt	J92232	4
8	Pipe	X42519	0.425
9	Elbow	DF0144	1
10	Pipe	X42519	1.175
11	Suction Flange	DP0994	1
12	Nut	F11400	2
13	Capscrew	P45110	2

ITEM #	DESCRIPTION	PART NO.	QTY.
	4" Suction Line for 250 gal. receiver	DL2120	
1	Nipple	J96702	1
2	Flange	A25600	1
3	Butterfly Valve	S77471	1
4	Flange, Slip On	T29960	1
5	Capscrew	P19480	8
6	Nut	DJ0232	4
7	Bolt	J92232	4
8	Pipe	X42519	0.425
9	Elbow	DF0144	1
10	Pipe	X42519	0.916
11	Suction Flange	DP0994	1
12	Nut	F11400	2
13	Capscrew	P45110	2

For pumps with "A" Design Flanges

For pumps with "A" Design Flanges

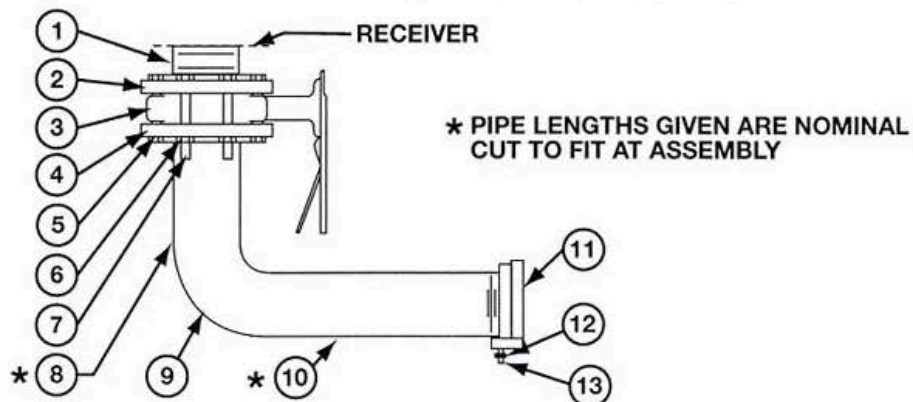


ITEM #	DESCRIPTION	PART NO.	QTY.
	4" Suction Line for 120 gal. receiver	DL2124	
1	Nipple	J96702	1
2	Flange	A25600	1
3	Butterfly Valve	S77471	1
4	Flange, Slip On	T29960	1
5	Capscrew	P19480	8
6	Nut	DJ0232	4
7	Bolt	J92232	4
8	Pipe	X42519	0.525
9	Elbow	DF0144	1
10	Pipe	X42519	1.325
11	Suction Flange	DP0950	1
12	Nut	F11400	2
13	Capscrew	P45110	2

ITEM #	DESCRIPTION	PART NO.	QTY.
	4" Suction Line for 250 gal. receiver	DL2125	
1	Nipple	J96702	1
2	Flange	A25600	1
3	Butterfly Valve	S77471	1
4	Flange, Slip On	T29960	1
5	Capscrew	P19480	8
6	Nut	DJ0232	4
7	Bolt	J92232	4
8	Pipe	X42519	0.525
9	Elbow	DF0144	1
10	Pipe	X42519	1.0625
11	Suction Flange	DP0950	1
12	Nut	F11400	2
13	Capscrew	P45110	2

For pumps with "D" Design Flanges

For pumps with "D" Design Flanges



Xylem |'zīləm|

- 1) The tissue in plants that brings water upward from the roots;
- 2) a leading global water technology company.

We're 12,500 people unified in a common purpose: creating innovative solutions to meet our world's water needs. Developing new technologies that will improve the way water is used, conserved, and re-used in the future is central to our work. We move, treat, analyze, and return water to the environment, and we help people use water efficiently, in their homes, buildings, factories and farms. In more than 150 countries, we have strong, long-standing relationships with customers who know us for our powerful combination of leading product brands and applications expertise, backed by a legacy of innovation.

For more information on how Xylem can help you, go to www.xyleminc.com



Xylem Inc.
8200 N. Austin Avenue
Morton Grove, Illinois 60053
Phone: (847) 966-3700
Fax: (847) 965-8379
www.bellgossett.com