

Hci

Hydronic Components Inc.



Balancing Solutions Technical Specifications

Table of Contents

- Pressure Independent Control Valves 3-6**
- Manual Balancing Valves 7-14**
- Meter Stations 15-17**
- Automatic Balancing Valves 18-21**
- Combination Ball Valves and Strainers 22-31**
- Unions 32**
- Flexible Hoses 33**
- Accessories 33-42**
- Ball Valves..... 43-53**
- Pressure Drop Charts 53-59**
- GPM Ordering Guide 60**

LIT-HCI-TS 103018

Pressure Independent Control Valve

Pressure Regulating Cartridge • Axial Control Valve • Presetting Ring • 360 WOG



91 Series

Features

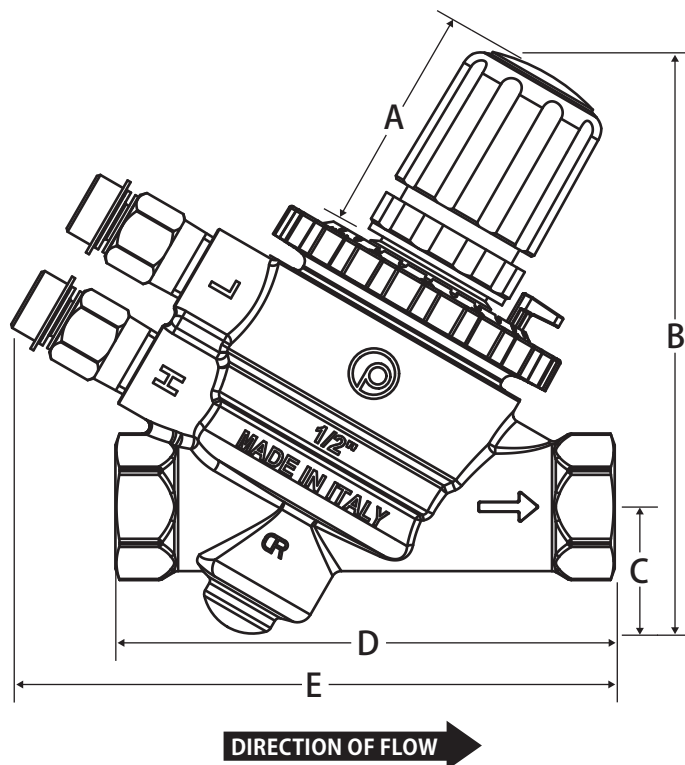
- 5-58 PSID operating range
- +/- 5% accuracy up to 15 PSID
- Two pressure / temperature (PT) test ports
- Location tag
- ANSI class IV leakage rate
- 100% leak tested
- Control Valve Stroke: 2.7mm
- Rangeability: 50-100

Pressure and Temperature Rating

- 360 WOG
- 15 - 250°F

Accepted Actuator Manufacturers

- Spartan PD
- Siemens
- Honeywell
- Johnson Controls
- Neprionics



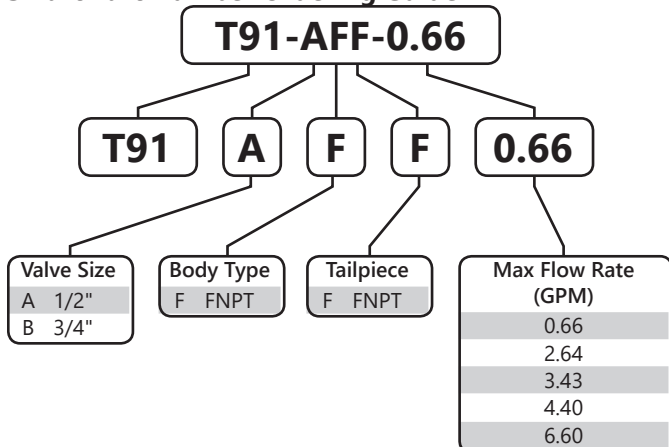
Material Specifications

Part	Material
Body	Brass - CW602N
Regulating Cartridge	High Resistance Polymer, EPDM, 303 Stainless Steel
Control Valve	Brass - CW614N, 18/8 Stainless Steel
Presetting Ring	High Resistance Polymer
O-rings	EPDM

Dimensions

Size	A	B	C	D	E
1/2"	1.85	4.53	0.98	3.90	4.72
3/4"	1.85	4.53	0.98	4.25	4.72

Smart Part Number Ordering Guide



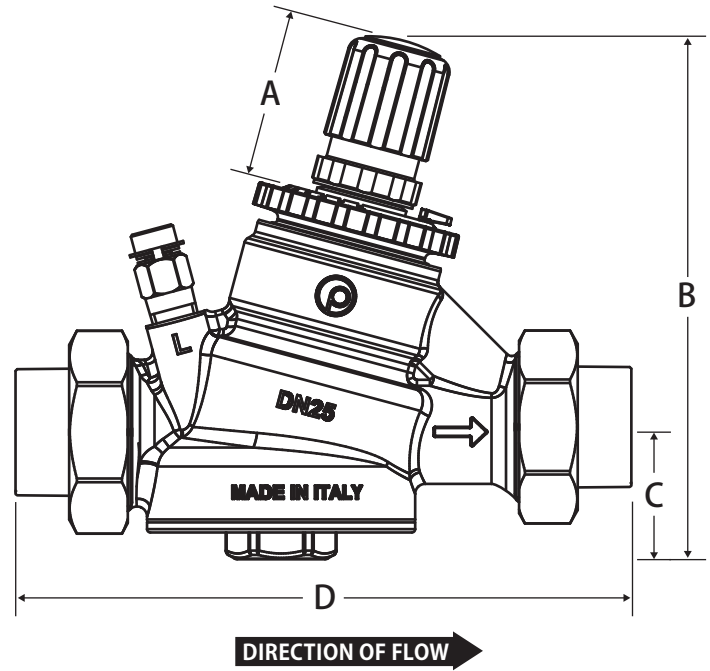
WARNING: This product can expose you to chemicals including lead, which is known to the State of California to cause cancer, and lead, which is known to the State of California to cause birth defects or other reproductive harm. For more information go to www.P65Warnings.ca.gov.

Pressure Independent Control Valve

Pressure Regulating Cartridge • Axial Control Valve • Presetting Ring • Double Union • 360 WOG



93 Series



Features

- 5-58 PSID operating range
- +/- 5% accuracy up to 15 PSID
- Two pressure / temperature (PT) test ports
- Location tag
- ANSI class IV leakage rate
- 100% leak tested
- Control Valve Stroke: 6.0mm
- Rangeability: 100-150

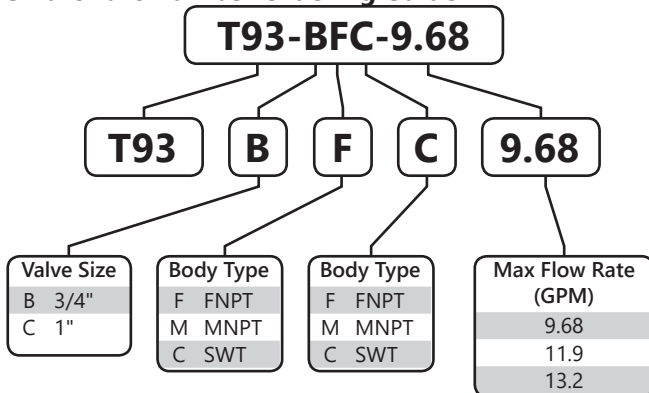
Pressure and Temperature Rating

- 360 WOG
- 15 - 250°F

Accepted Actuator Manufacturers

- Spartan PD
- Siemens
- Honeywell
- Johnson Controls
- Neptronics

Smart Part Number Ordering Guide



Material Specifications

Part	Material
Body	Brass - CW602N
Regulating Cartridge	Brass - CW614N, EPDM, 303 Stainless Steel
Control Valve	Brass - CW614N, 18/8 Stainless Steel
Presetting Ring	High Resistance Polymer
O-rings	EPDM

Dimensions

Size	A	B	C	D
3/4"	1.85	5.98	1.50	5.28
1"	1.85	5.98	1.50	5.28

WARNING: This product can expose you to chemicals including lead, which is known to the State of California to cause cancer, and lead, which is known to the State of California to cause birth defects or other reproductive harm. For more information go to www.P65Warnings.ca.gov.

LIT-HCI-TS-103018

Pressure Independent Control Valve

Pressure Regulating Cartridge • Rotary Control Valve • Manual Shutoff • Double Union • 230 WOG



85 Series

Features

- 5-58 PSID operating range
- +/- 5% accuracy up to 15 PSID
- Two pressure / temperature (PT) test ports
- Location tag
- ANSI class IV leakage rate
- 100% leak tested
- Control Valve Stroke: 90°
- Rangeability: >100

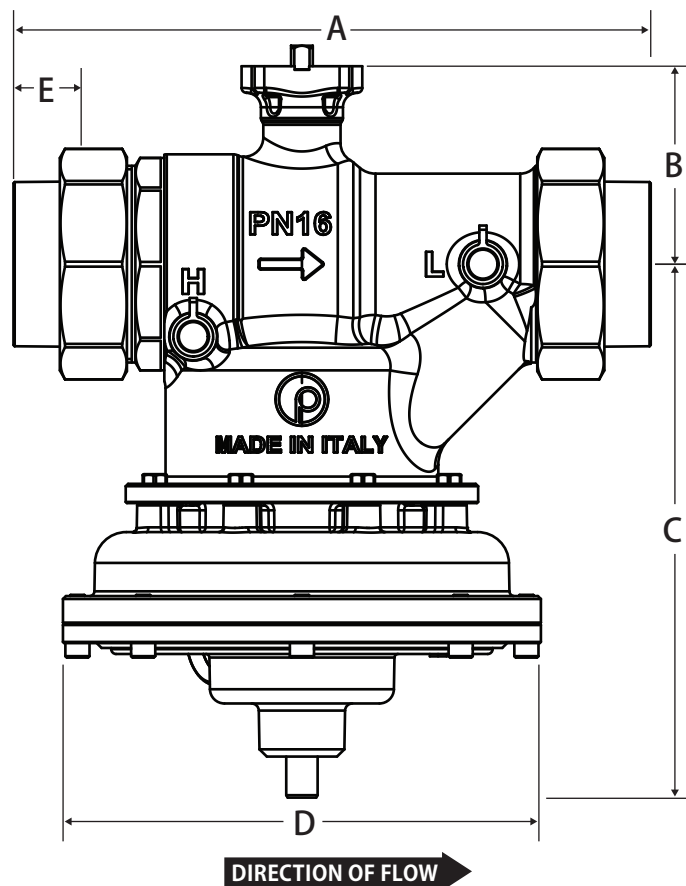
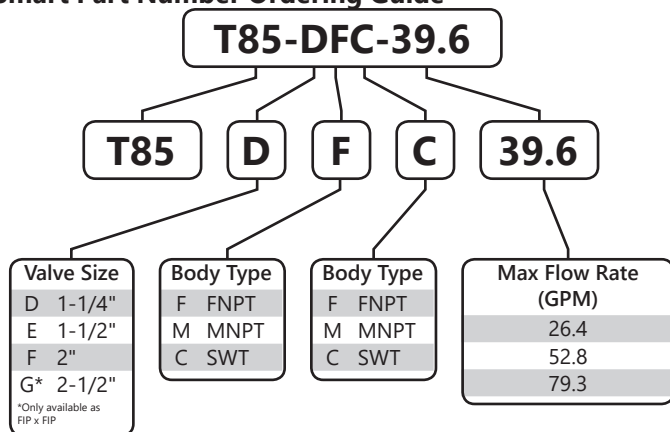
Pressure and Temperature Rating

- 230 WOG
- 15 - 250°F

Accepted Actuator Manufacturers

- HCI
- Johnson Controls

Smart Part Number Ordering Guide



Material Specifications

Part	Material
Body	Ductile Iron
Regulating Device	High Resistance Polymer, EPDM, 303 Stainless Steel
Control Valve	Brass - CW614N, 18/8 Stainless Steel
Stem	Brass - CW602N
O-rings	EPDM
Manual Shut-Off	Brass - CW614N

Dimensions

Size	A	B	C	D	E
1 1/2"	10.12	3.23	8.70	7.80	0.93
2"	10.39	3.23	8.70	7.80	1.10

WARNING: This product can expose you to chemicals including lead, which is known to the State of California to cause cancer, and lead, which is known to the State of California to cause birth defects or other reproductive harm. For more information go to www.P65Warnings.ca.gov.

Pressure Independent Control Valve

Pressure Regulating Cartridge • Multi-Turn Control Valve • Flange Connection • 230 WOG



94F Series

Features

- 5-58 PSID operating range
- +/- 5% accuracy up to 15 PSID
- Two pressure / temperature (PT) test ports
- Location tag
- ANSI class IV leakage rate
- 100% leak tested
- Control Valve Stroke: 15-22mm
- Rangeability: >100
- Flange: ANSI B16.1, Class 125
- Face to Face: ISA-75.08.01-2002, Class 125

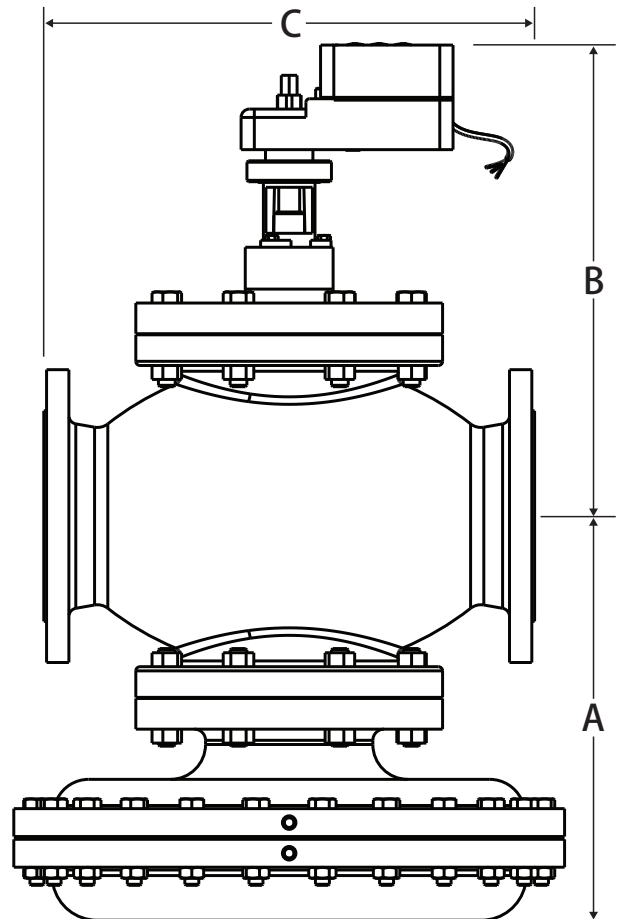
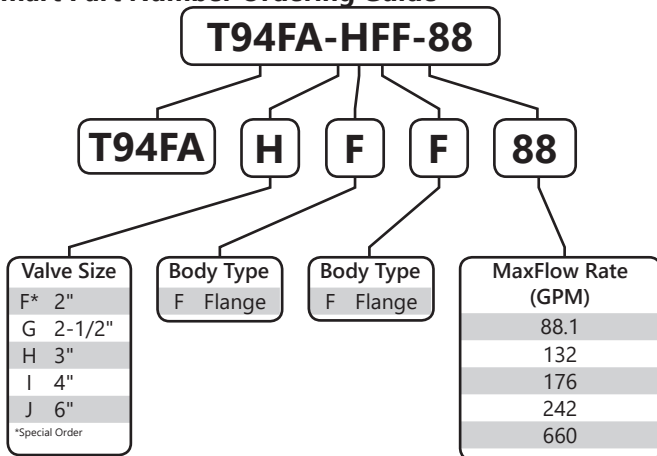
Pressure and Temperature Rating

- 230 WOG
- 15 - 250°F

Accepted Actuator Manufacturers

- HCI

Smart Part Number Ordering Guide



DIRECTION OF FLOW →

Material Specifications

Part	Material
Body	Ductile Iron
Regulating Device	Brass - CW602N, EPDM, 303 Stainless Steel
Control Valve	Brass - CW602N, 18/8 Stainless Steel
O-rings	EPDM

Dimensions

Size	A	B	C
2"	8.62	10.51	10.00
2 1/2"	9.21	11.10	10.87
3"	9.41	11.42	11.73
4"	11.22	12.17	13.86
6"	13.78	14.92	17.76



WARNING: This product can expose you to chemicals including lead, which is known to the State of California to cause cancer, and lead, which is known to the State of California to cause birth defects or other reproductive harm. For more information go to www.P65Warnings.ca.gov.

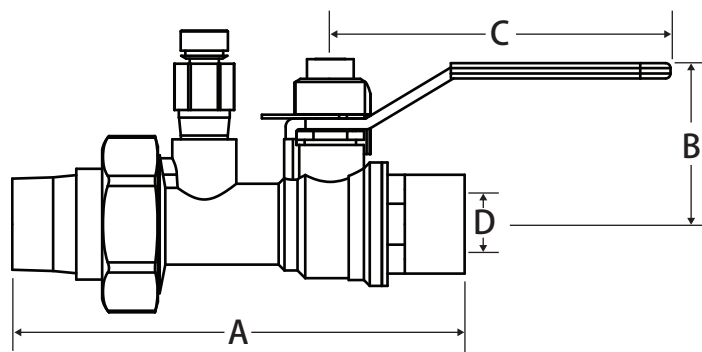
LIT-HCI-TS-103018

Manual Balancing Valve

Fixed Orifice • Isolation Ball Valve • Memory Stop • Union •
400 WOG



Terminator B



DIRECTION OF FLOW →

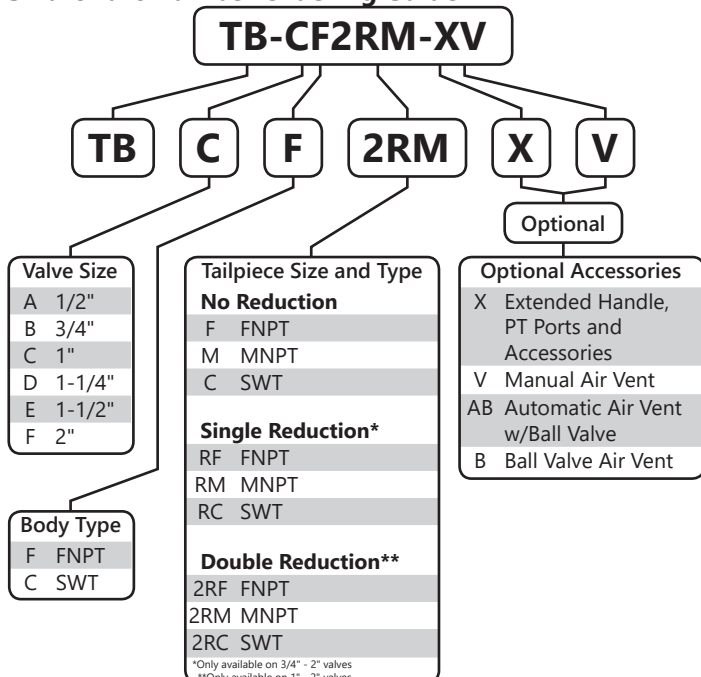
Features

- Patented removable venturi
- +/- 2% Accuracy
- Two pressure / temperature (PT) test ports
- Location tag
- Additional accessory tap
- Triple sealing stem with 2 Viton® o-rings and Teflon® seal
- Blow out proof stem
- 100% leak tested
- Made in Italy
- Leakproof stem - Lifetime warranty
- See end of catalog for pressure drop charts

Pressure and Temperature Rating

- 400 WOG
- 300°F Max

Smart Part Number Ordering Guide



Material Specifications

Part	Material
Body	Brass - CW617N
End Connection	Brass - CW617N
Ball	Chrome Plated Brass - CW617N
Seat (2)	Virgin PTFE
Stem	Brass - CW614N
Packing	Virgin PTFE
Stem O-ring (2)	Viton®
Packing Gland	Brass - CW614N
Handle	Steel - Geomet® Plated
Handle Nut	Steel - Geomet® Plated
Metering Plate	Aluminum
Memory Stop	Brass - CW617N
Memory Stop Screw	Steel - Geomet® Plated
Union O-ring	Viton®
Tail Piece	Brass - CW617N
Union Nut	Brass - CW617N
Venturi	Brass - CW614N
Venturi O-ring	Viton®

Dimensions

Size	A*	B	C	D
1/2"	4.56	1.57	2.95	0.59
3/4"	4.88	1.57	2.95	0.59
1"	5.65	1.93	3.74	0.79
1-1/4"	7.00	2.44	4.72	0.98
1-1/2"	7.81	2.64	4.72	1.26
2"	9.19	3.29	5.91	1.58

*Length is for a SWT x MNPT valve, additional dimensions available upon request



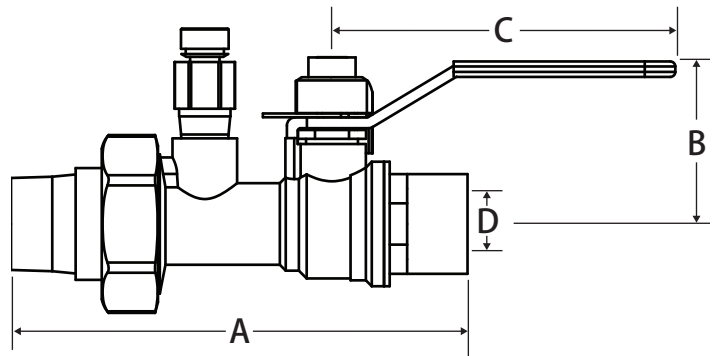
WARNING: This product can expose you to chemicals including lead, which is known to the State of California to cause cancer, and lead, which is known to the State of California to cause birth defects or other reproductive harm. For more information go to www.P65Warnings.ca.gov.

Manual Balancing Valve

Fixed Orifice • Isolation Ball Valve • Memory Stop • Union •
400 WOG • with Stainless Steel Trim



Terminator B SS



DIRECTION OF FLOW

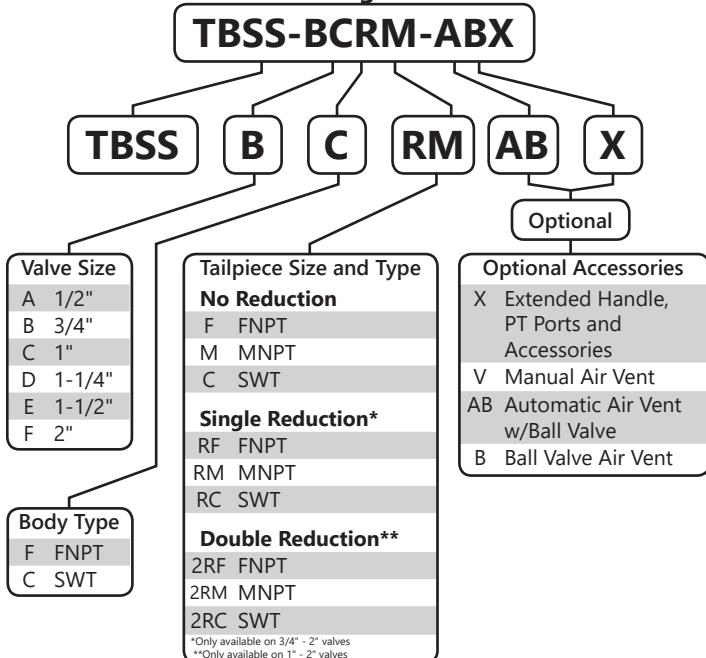
Features

- Patented removable venturi
- +/- 2% Accuracy
- Two pressure / temperature (PT) test ports
- Location tag
- Additional accessory tap
- Triple sealing stem with 2 Viton® o-rings and Teflon® seal
- Blow out proof stem
- 100% leak tested
- Made in Italy
- Leakproof stem - Lifetime warranty
- See end of catalog for pressure drop charts

Pressure and Temperature Rating

- 400 WOG
- 300°F Max

Smart Part Number Ordering Guide



Material Specifications

Part	Material
Body	Brass - CW617N
End Connection	Brass - CW617N
Ball	316 Stainless Steel
Seat (2)	Virgin PTFE
Stem	316 Stainless Steel
Packing	Virgin PTFE
Stem O-ring (2)	Viton®
Packing Gland	Brass - CW614N
Handle	Steel - Geomet® Plated
Handle Nut	Steel - Geomet® Plated
Metering Plate	Aluminum
Memory Stop	Brass - CW617N
Memory Stop Screw	Steel - Geomet® Plated
Union O-ring	Viton®
Tail Piece	Brass - CW617N
Union Nut	Brass - CW617N
Venturi	Brass - CW614N
Venturi O-ring	Viton®

Dimensions

Size	A*	B	C	D
1/2"	4.56	1.57	2.95	0.59
3/4"	4.88	1.57	2.95	0.59
1"	5.65	1.93	3.74	0.79
1-1/4"	7.00	2.44	4.72	0.98
1-1/2"	7.81	2.64	4.72	1.26
2"	9.19	3.29	5.91	1.58

*Length is for a SWT x MNPT valve, additional dimensions available upon request



WARNING: This product can expose you to chemicals including lead, which is known to the State of California to cause cancer, and lead, which is known to the State of California to cause birth defects or other reproductive harm. For more information go to www.P65Warnings.ca.gov.

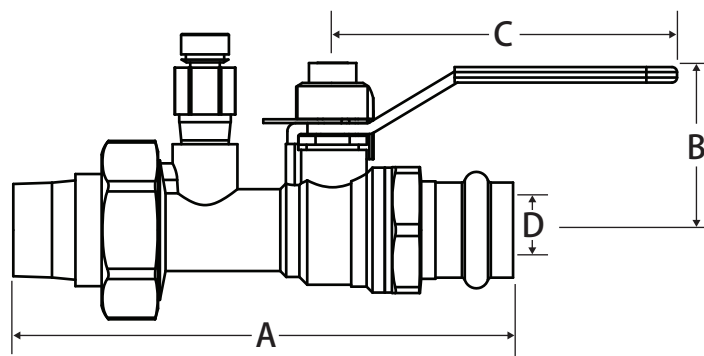
LIT-HCI-TS 103018

Manual Balancing Valve

Fixed Orifice • Isolation Ball Valve • Integrated Memory Stop • Union • Press Body Connection • 250 WOG



Terminator B Press



DIRECTION OF FLOW →

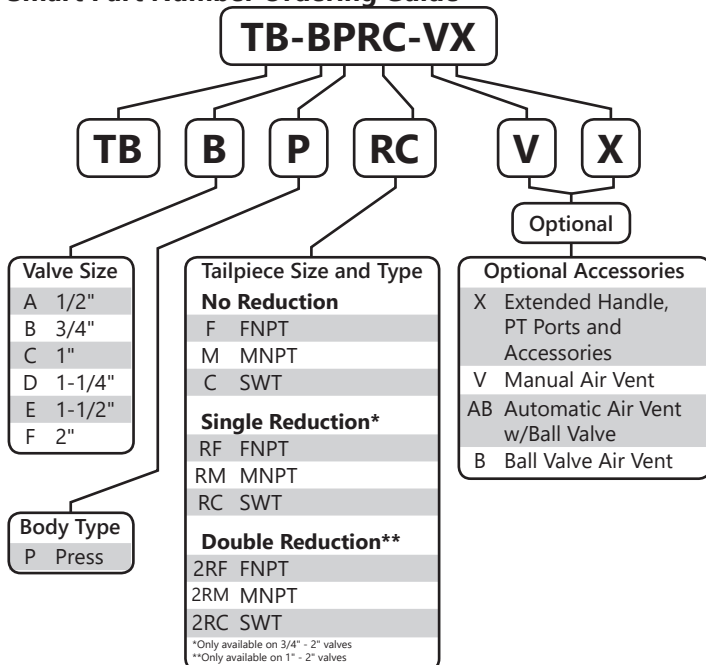
Features

- Patented removable venturi
- +/- 2% Accuracy
- Two pressure / temperature (PT) test ports
- Location tag
- Additional accessory tap
- Triple sealing stem with 2 Viton® o-rings and Teflon® seal
- Blow out proof stem
- 100% leak tested
- Made in Italy
- Leakproof stem - Lifetime warranty
- See end of catalog for pressure drop charts

Pressure and Temperature Rating

- 250 WOG
- 300°F Max

Smart Part Number Ordering Guide



Material Specifications

Part	Material
Body	Brass - CW617N
End Connection	Brass - CW617N
Press O-ring	EPDM
Ball	Chrome Plated Brass - CW617N
Seat (2)	Virgin PTFE
Stem	Brass - CW614N
Packing	Virgin PTFE
Stem O-ring (2)	Viton®
Packing Gland	Brass - CW614N
Handle	Steel - Geomet® Plated
Handle Nut	Steel - Geomet® Plated
Metering Plate	Aluminum
Memory Stop	Brass - CW617N
Memory Stop Screw	Steel - Geomet® Plated
Union O-ring	Viton®
Tail Piece	Brass - CW617N
Union Nut	Brass - CW617N
Venturi	Brass - CW614N
Venturi O-ring	Viton®

Dimensions

Size	A*	B	C	D
1/2"	5.17	1.57	2.95	0.59
3/4"	5.35	1.57	2.95	0.59
1"	—**	1.93	3.74	0.79
1-1/4"	—**	2.44	4.72	0.98
1-1/2"	—**	2.64	4.72	1.26
2"	—**	3.29	5.91	1.58

*Length is for a Press x MNPT valve, additional dimensions available upon request
**1" - 2" is FNPT body with MNPT x Press adapter



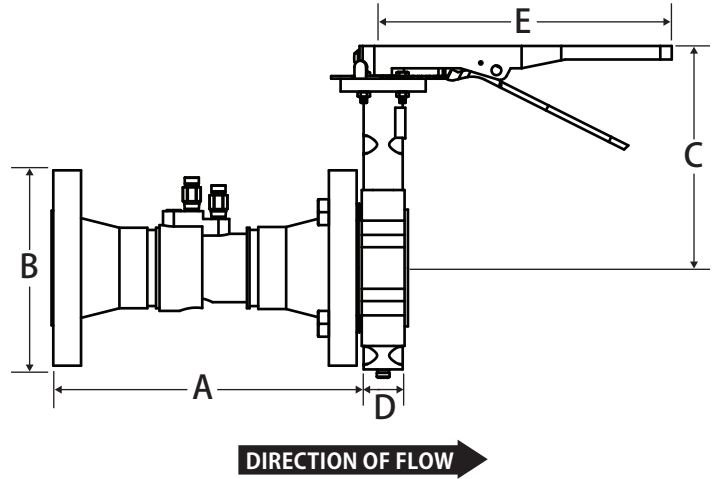
WARNING: This product can expose you to chemicals including lead, which is known to the State of California to cause cancer, and lead, which is known to the State of California to cause birth defects or other reproductive harm. For more information go to www.P65Warnings.ca.gov.

Manual Balancing Valve

Fixed Orifice • Isolation Butterfly Valve • Lug x Flange Connection • Class 150



Terminator B Lug x Flange



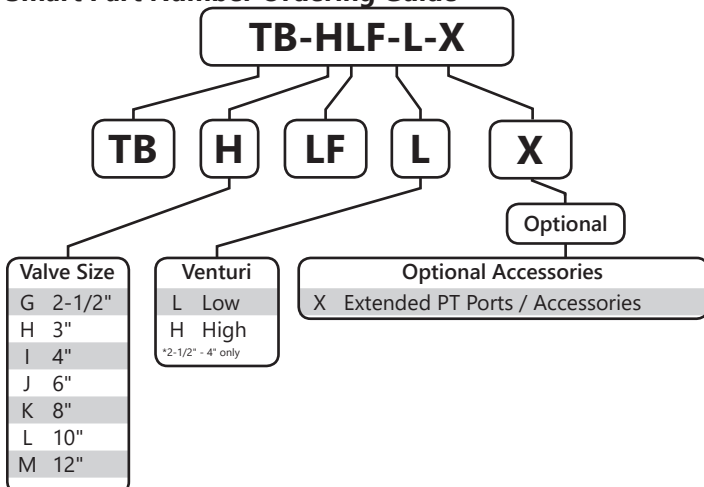
Features

- +/- 1% Accuracy
- Two pressure / temperature (PT) test ports
- Location tag
- Additional accessory tap
- Ten-position lockable lever handle
- Class 150 Flange
- 100% leak tested
- 5 straight pipe diameters are required upstream of balance valve
- 2-1/2 straight pipe diameters are required downstream of balance valve
- See end of catalog for pressure drop charts

Pressure and Temperature Rating

- 200 WOG
- 225°F Max

Smart Part Number Ordering Guide



Material Specifications

Part	Material
Venturi Body	Carbon Steel - ASTM-A126
Flange (2)	Carbon Steel - ASTM-A126
Butterfly Valve	(See Butterfly Valve Spec Sheet)

Dimensions

Size	A	B	C	D	E
2-1/2"	10.75	7.00	7.6	1.76	10.64
3"	11.13	7.50	8.15	1.78	10.64
4"	12.25	9.00	8.39	2.05	10.64
6"	14.75	11.00	9.13	2.2	10.64
8"	16.75	13.50	10.16	2.39	14.18
10"	20.37	16.00	11.85	2.58	19.7
12"	21.5	19.00	13.11	3.03	19.7



WARNING: This product can expose you to chemicals including lead, which is known to the State of California to cause cancer, and lead, which is known to the State of California to cause birth defects or other reproductive harm. For more information go to www.P65Warnings.ca.gov.

Manual Balancing Valve

Fixed Orifice • Globe Valve • Memory Stop • 360 WOG



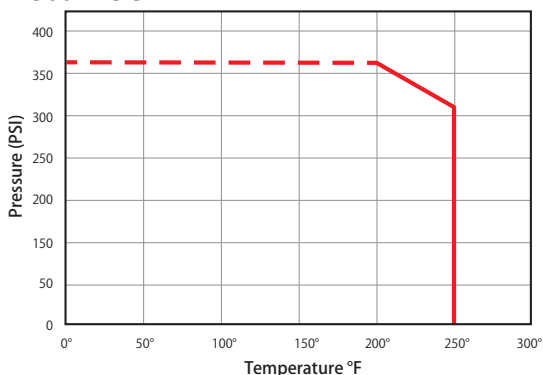
Terminator G

Features

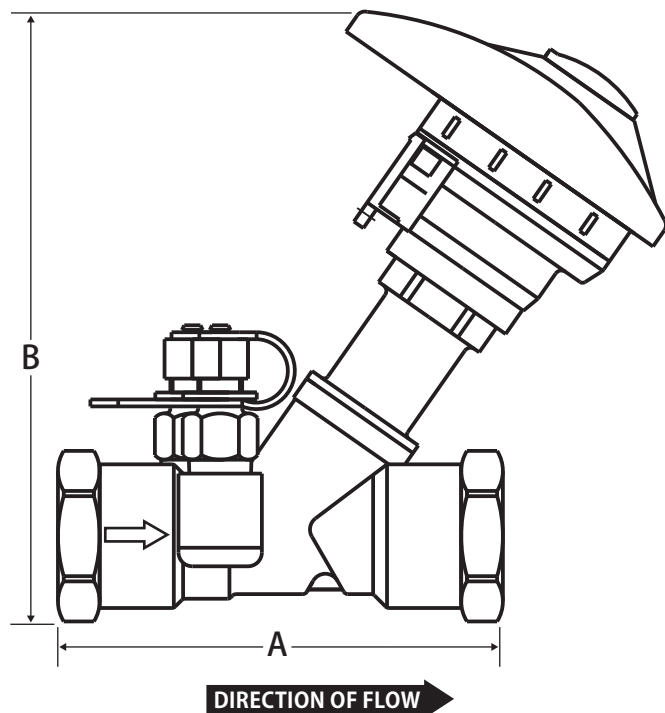
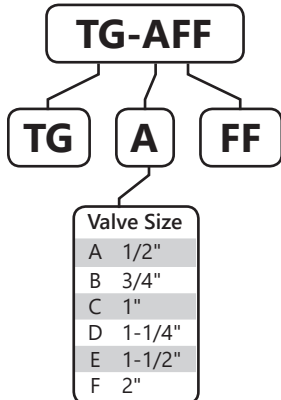
- Integral metering orifice plate
- Characterized equal percent throttling disc
- ±5% flow measurement accuracy
- Microset hand wheel
- Memory stop handle setting
- Pressure and temperature ports
- NPT threads
- Dezincification resistant
- Conforms to BS 7350
- See end of catalog for pressure drop charts

Temperature Rating

- 360 WOG



Smart Part Number Ordering Guide



DIRECTION OF FLOW →

Material Specifications

Part	Material
Body	Bronze - C83600
Bonnet (1/2" - 1-1/4")	Brass - C35330
(1-1/2" - 2")	Bronze - C83600
Stem	Brass - C35330
Disc (1/2" - 3/4")	Brass - C35330
(1" - 2")	Brass + PTFE - C35330
Orifice Insert	Brass - C35330
Hand Wheel	Plastic

Dimensions

Size	A	B	Cv	GPM
1/2"	3.43	4.45	1.99	1 - 4
3/4"	3.78	4.49	3.43	2 - 10
1"	3.94	5.31	5.49	4 - 20
1-1/4"	4.49	5.35	11.85	8 - 35
1-1/2"	4.92	5.94	19.46	12 - 50
2"	5.75	5.98	31.51	20 - 100

WARNING: This product can expose you to chemicals including lead, which is known to the State of California to cause cancer, and lead, which is known to the State of California to cause birth defects or other reproductive harm. For more information go to www.P65Warnings.ca.gov.

Manual Balancing Valve

Fixed Orifice • Globe Valve • Flanged • 230 WOG



Terminator G

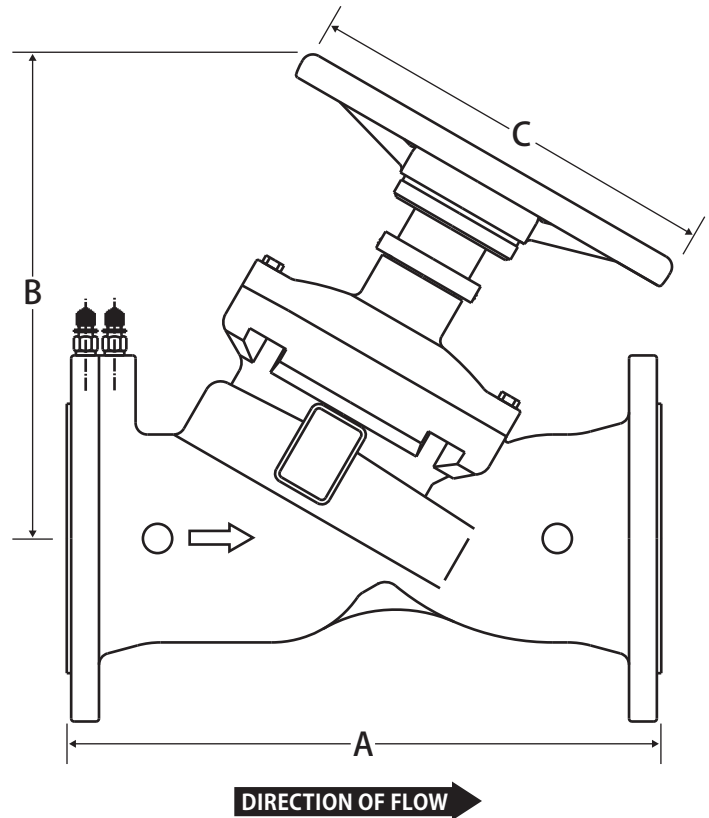
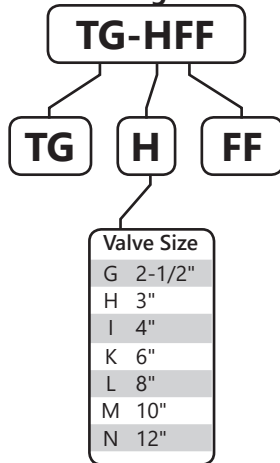
Features

- Integral metering orifice plate
- Memory stop handle setting
- ±5% flow measurement accuracy
- ANSI Class 150
- Pressure and temperature ports
- Face to face: DIN 3202-1/F1
- EN-558-1 Series 1
- Flange: ANSI B16.5
- Conforms to BS 7350
- See end of catalog for pressure drop charts

Temperature Rating

- 15-250°F
- 230 WOG

Smart Part Number Ordering Guide



Material Specifications

Part	Material
Body	Ductile Iron - ASTM A536
Bonnet	Ductile Iron - ASTM A536
Stem	410 Stainless Steel
Disc	EPDM Coated Ductile Iron - ASTM A536
Gland (2-1/2" - 6")	Brass - C37700
(8" - 12")	Ductile Iron - ASTM A536
Stem Nut	Brass - C37700
Hand Wheel	Ductile Iron - ASTM A536
Test Valve	Brass - C35330
Orifice Insert	Brass - C37700
Packing	Graphite

Dimensions

Size	A	B	C	Cv	GPM
2-1/2"	11.42	10.43	7.87	120.22	45 - 210
3"	12.20	10.63	7.87	134.10	50 - 240
4"	13.78	12.20	9.45	246.23	100 - 450
6"	18.90	13.39	11.42	550.26	200 - 1100
8"	23.62	21.14	13.78	887.81	350 - 1500
10"	28.74	22.44	16.54	1332.87	500 - 2500
12"	33.46	27.17	16.54	2014.91	800 - 3500



WARNING: This product can expose you to chemicals including lead, which is known to the State of California to cause cancer, and lead, which is known to the State of California to cause birth defects or other reproductive harm. For more information go to www.P65Warnings.ca.gov.

LIT-HCI-TS-103018

Manual Balancing Valve

Variable Orifice • Globe Valve • Threaded & Solder Connections • Memory Stop • 300 WOG



Terminator GV

Features

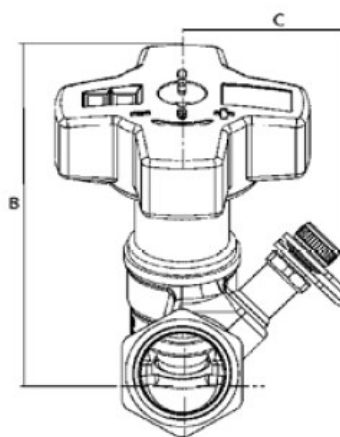
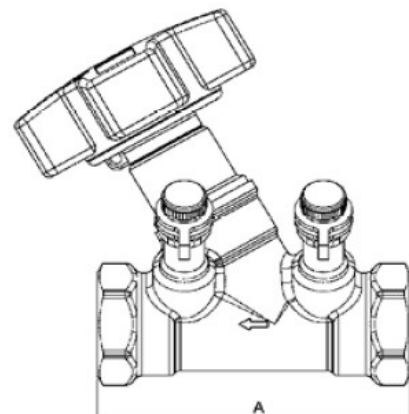
- "Y" pattern globe style design
- Dezincification resistant brass
- Positive shut-off
- Offset pressure/temperature ports
- Multi-turn, 360° handwheel with vernier scale and digital readouts
- Built-in memory stop
- Precise flow measurement and flow balancing

Pressure / Temperature Rating

- 300 PSI
- -4°F to 250°F



WARNING: This product can expose you to chemicals including lead, which is known to the State of California to cause cancer, and lead, which is known to the State of California to cause birth defects or other reproductive harm. For more information go to www.P65Warnings.ca.gov.



Material Specifications

Part	Material
Body, Bonnet	Brass - C35330
Gasket	EPDM
Seat Seal	EPDM
Hand Wheel	Plastic

Dimensions

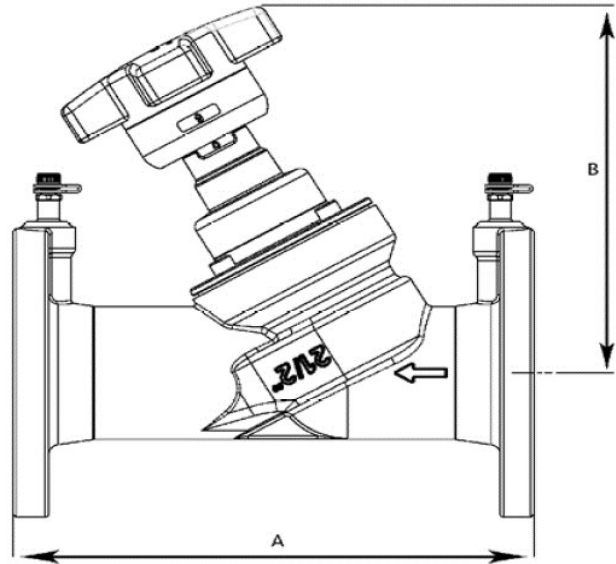
Part Number	Size	A	B	C	Minimum Flow	Nominal Flow	Maximum Flow
Threaded Connection							
TGV-AFF	1/2"	3.39	3.74	1.57	0.14	0.50-3.08	12.10
TGV-BFF	3/4"	3.54	3.74	1.65	0.26	3.80-5.50	17.40
TGV-CFF	1"	4.02	3.78	1.73	0.37	5.50-9.50	30.00
TGV-DFE	1-1/4"	4.72	3.78	1.85	0.60	9.50-14	44.60
TGV-EFF	1-1/2"	5.20	4.25	1.93	0.91	14-20	66.40
TGV-FFF	2"	6.46	4.37	2.09	1.52	20-33	107.20
Sweat Connection							
TGV-ACC	1/2"	3.39	3.74	1.57	0.14	0.50-3.08	12.10
TGV-BCC	3/4"	3.54	3.74	1.65	0.26	3.80-5.50	17.40
TGV-CCC	1"	4.02	3.78	1.73	0.37	5.50-9.50	30.00
TGV-DCC	1-1/4"	4.72	3.78	1.85	0.60	9.50-14	44.60
TGV-ECC	1-1/2"	5.20	4.25	1.93	0.91	14-20	66.40
TGV-FCC	2"	6.46	4.37	2.09	1.52	20-33	107.20

Manual Balancing Valve

Variable Orifice • Globe Valve • Memory Stop • 230 WOG



Terminator GV



Features

- Accurate and precise flow measurement and balancing
- Positive shut-off
- "Y" pattern globe style design
- Multi-turn, 360° handwheel with vernier scale and digital readout
- Built in memory stop
- Offset pressure/temperature ports

Pressure / Temperature Rating

- 230 WOG
- 14°F -248°F

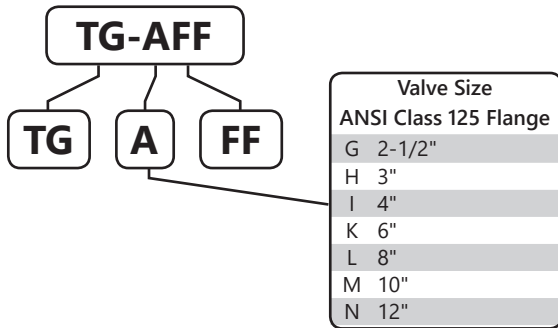
Material Specifications

Part	Material
Body	Cast Iron
End Connections	ANSI 125 Flanged
Gaskets	EPDM
Seat Seal	PTFE
Handwheel	Polyamide Plastic

Dimensions

Part Number	Size	A	B	Minimum Flow	Nominal Flow	Maximum Flow
TGV-GFF	2-1/2"	11.42	8.94	2.13	33-100	318.30
TGV-HFF	3"	12.20	9.5	4.19	100-117	374.50
TGV-IFF	4"	13.78	10.20	6.09	117-200	646.80
TGV-KFF	6"	18.90	12.05	13.70	320-440	1447.00
TGV-LFF	8"	23.60	13.50	30.00	450-750	2415
TGV-MFF	10"	28.70	16.00	47.00	750-1300	4050
TGV-NFF	12"	33.50	19.00	43.00	1300-1600	5115

Smart Part Number Ordering Guide



WARNING: This product can expose you to chemicals including lead, which is known to the State of California to cause cancer, and lead, which is known to the State of California to cause birth defects or other reproductive harm. For more information go to www.P65Warnings.ca.gov.

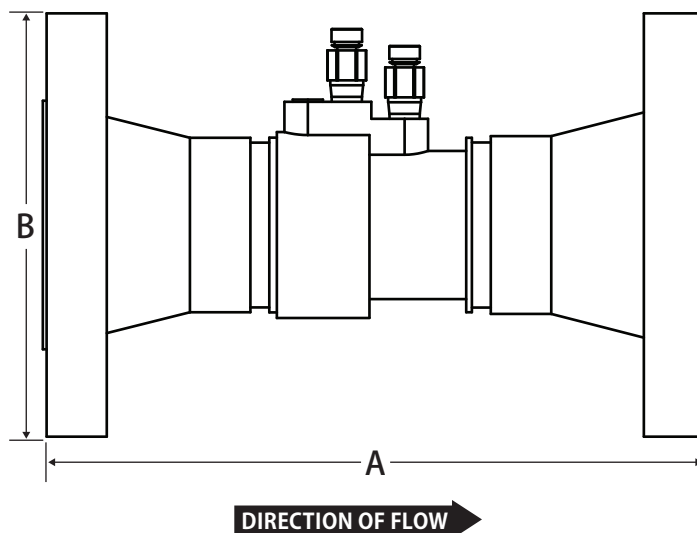
LIT-HCI-TS-103018

Metering Station

Fixed Orifice • Flange Connection • Class 150



Terminator MS Flange x Flange



Features

- +/- 1% Accuracy
- Two pressure / temperature (PT) test ports
- Location tag
- Additional accessory tap
- Class 150 Flange
- 100% leak tested
- 5 straight pipe diameters are required upstream of metering station
- 2-1/2 straight pipe diameters are required downstream of metering station
- See end of catalog for pressure drop chart

Pressure and Temperature Rating

- 200 WOG
- 225°F Max

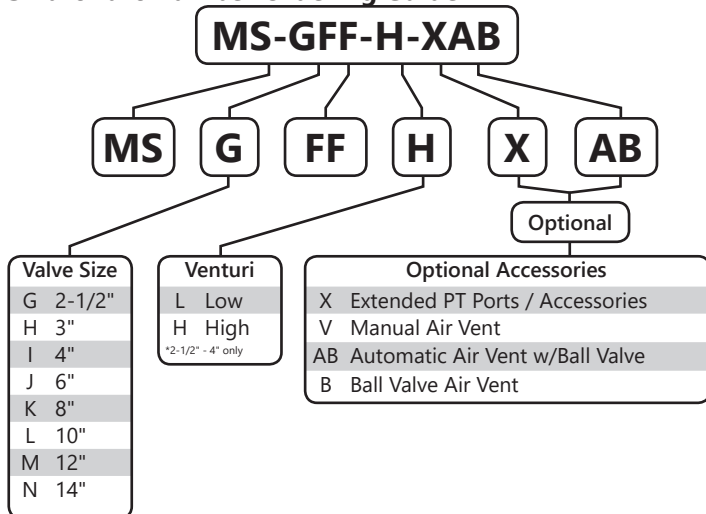
Material Specifications

Part	Material
Venturi Body	Carbon Steel - ASTM 126
Flange (2)	Carbon Steel - ASTM 126

Dimensions

Size	A	B
2-1/2"	10.9	7.0
3"	11.3	7.5
4"	12.5	9.0
6"	15.0	11.0
8"	16.9	13.5
10"	20.6	16.0
12"	26.3	19.0

Smart Part Number Ordering Guide



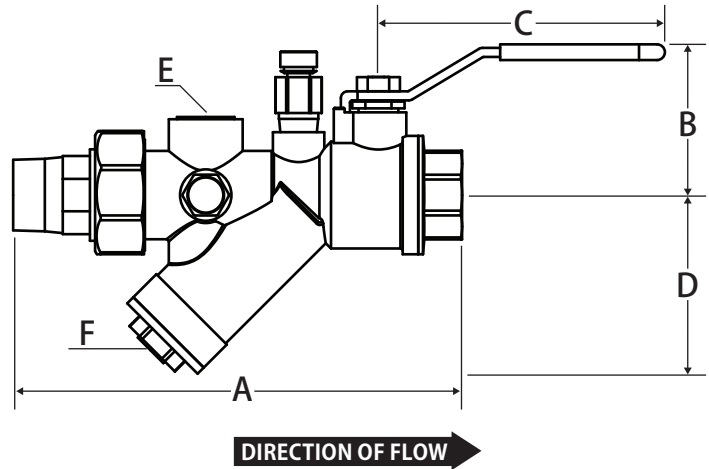
WARNING: This product can expose you to chemicals including lead, which is known to the State of California to cause cancer, and lead, which is known to the State of California to cause birth defects or other reproductive harm. For more information go to www.P65Warnings.ca.gov.

Automatic Balancing Valve

Automatic Flow Limiter • Isolation Ball Valve • Union • 600 WOG



Terminator A



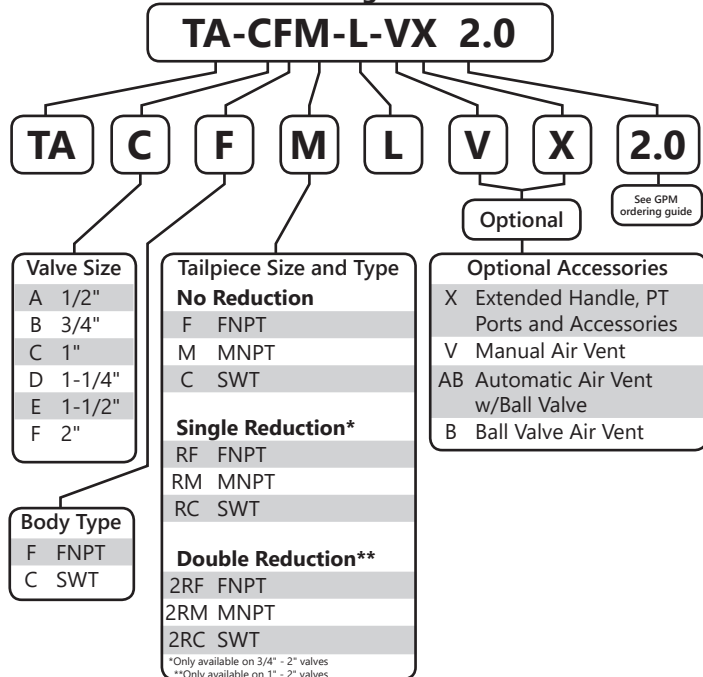
Features

- +/- 5% Accuracy
- Two pressure / temperature (PT) test ports
- Location tag
- Two additional accessory tap
- Triple sealing stem with 2 Viton® o-rings and Teflon® seal
- Blow out proof stem
- 100% leak tested
- See end of catalog for GPM ordering guide

Pressure and Temperature Rating

- 600 WOG
- 325°F Max

Smart Part Number Ordering Guide



Material Specifications

Part	Material
Body	Brass -CW617N
End Connection	Brass -CW617N
Ball	Chrome Plated Brass -CW617N
Seat (2)	PTFE
Stem	Brass -CW614N
Packing	PTFE
Stem O-ring (2)	Viton®
Packing Gland	Brass -CW617N
Handle	Steel - Zinc Plated
Handle Nut	Brass -CW614N
Service Cap	Brass -CW617N
Service Cap O-ring	Viton®
Union Gasket	EPDM
Tail Piece	Brass -CW617N
Union Nut	Brass -CW617N
Balancing Cartridge	Stainless steel, EPDM
Cartridge Retaining Spring	Stainless Steel

Dimensions

Size	A*	B	C	D	E	F
1/2"	5.54	1.70	3.40	1.60	0.50	0.25
3/4"	6.38	1.80	3.40	2.40	0.50	0.25
1"	6.81	1.80	3.40	2.40	0.50	0.25
1-1/4"	8.88	2.50	4.40	3.50	0.75	0.25
1-1/2"	9.13	2.50	4.40	3.50	0.75	0.25
2"	11.38	3.50	5.50	4.50	0.75	0.50

*Length is for a SWT x MNPT valve, additional dimensions available upon request



WARNING: This product can expose you to chemicals including lead, which is known to the State of California to cause cancer, and lead, which is known to the State of California to cause birth defects or other reproductive harm. For more information go to www.P65Warnings.ca.gov.

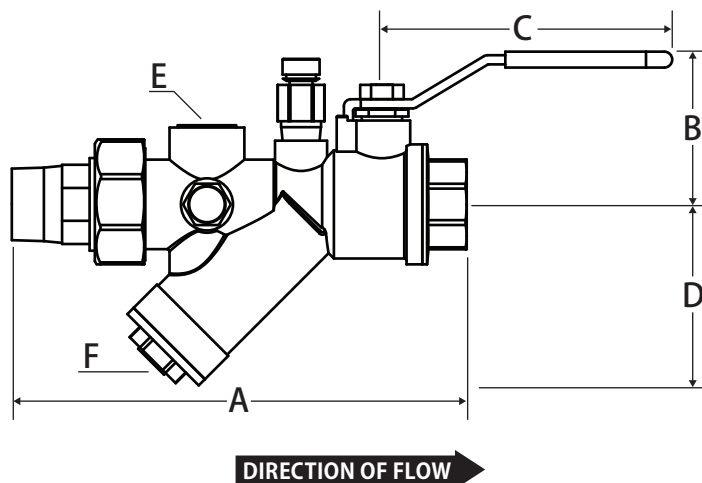
LIT-HCI-TS-103018

Automatic Balancing Valve

Automatic Flow Limiter • Isolation Ball Valve • Union • 600 WOG • with Stainless Steel Trim



Terminator A SS



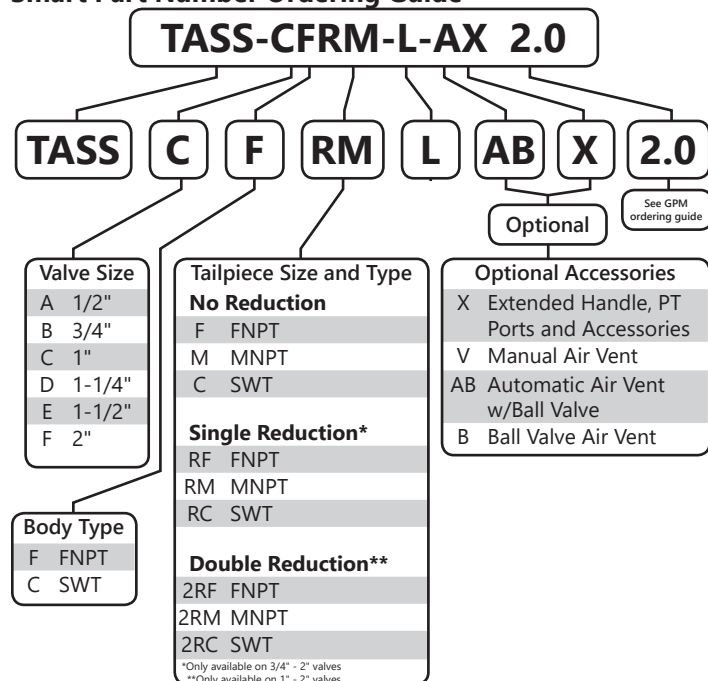
Features

- 2-50 PSID operating range
- +/- 5% Accuracy
- Two pressure / temperature (PT) test ports
- Location tag
- Two additional accessory tap
- Triple sealing stem with 2 Viton® o-rings and Teflon® seal
- Blow out proof stem
- 100% leak tested
- See end of catalog for GPM ordering guide

Pressure and Temperature Rating

- 600 WOG
- 325°F Max

Smart Part Number Ordering Guide



Material Specifications

Part	Material
Body	Brass - CW617N
End Connection	Brass -CW617N
Ball	316 Stainless Steel
Seat (2)	PTFE
Stem	316 Stainless Steel
Packing	PTFE
Stem O-ring (2)	Viton®
Packing Gland	Brass -CW614N
Handle	Steel - Zinc Plated
Handle Nut	Brass -CW614N
Service Cap	Brass -CW617N
Service Cap O-ring	Viton®
Union Gasket	EPDM
Tail Piece	Brass - CW617N
Union Nut	Brass - CW617N
Balancing Cartridge	Brass, Stainless steel, EPDM
Cartridge Retaining Spring	Stainless Steel

Dimensions

Size	A*	B	C	D	E	F
1/2"	5.54	1.70	3.40	1.60	0.50	0.25
3/4"	6.38	1.80	3.40	2.40	0.50	0.25
1"	6.81	1.80	3.40	2.40	0.50	0.25
1-1/4"	8.88	2.50	4.40	3.50	0.75	0.25
1-1/2"	9.13	2.50	4.40	3.50	0.75	0.25
2"	11.38	3.50	5.50	4.50	0.75	0.25

*Length is for a SWT x MNPT valve, additional dimensions available upon request

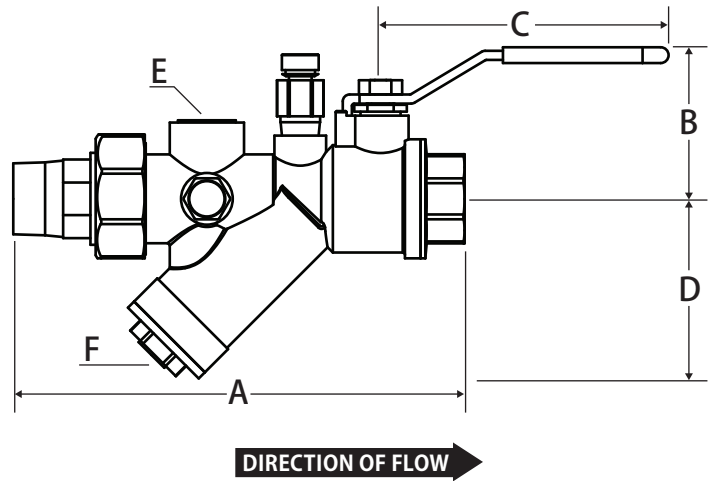
WARNING: This product can expose you to chemicals including lead, which is known to the State of California to cause cancer, and lead, which is known to the State of California to cause birth defects or other reproductive harm. For more information go to www.P65Warnings.ca.gov.

Automatic Balancing Valve

Automatic Flow Limiter • Isolation Ball Valve • Union • Press Body Connection • 250 WOG



Terminator A Press



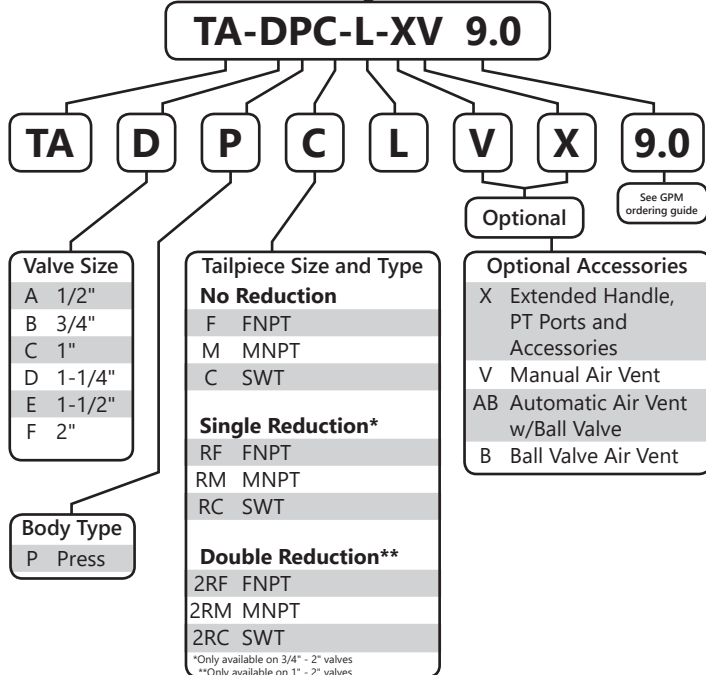
Features

- 2-50 PSID operating range
- +/- 5% Accuracy
- Two pressure / temperature (PT) test ports
- Location tag
- Two additional accessory tap
- Triple sealing stem with 2 Viton® o-rings and Teflon® seal
- Blow out proof stem
- 100% leak tested
- See end of catalog for GPM ordering guide

Pressure and Temperature Rating

- 250 WOG
- 325°F Max

Smart Part Number Ordering Guide



Material Specifications

Part	Material
Body	Brass -CW617N
End Connection	Brass -CW617N
Press O-ring	EPDM
Ball	Chrome Plated Brass -CW617N
Seat (2)	PTFE
Stem	Brass -CW617N
Packing	PTFE
Stem O-ring (2)	Viton®
Packing Gland	Brass -CW614N
Handle	Steel - Zinc Plated
Handle Nut	Brass -CW614N
Service Cap	Brass -CW614N
Service Cap O-ring	Viton®
Union Gasket	EPDM
Tail Piece	Brass -CW617N
Union Nut	Brass -CW617N
Balancing Cartridge	Brass, Stainless steel, EPDM
Cartridge Retaining Spring	Stainless Steel

Dimensions

Size	A*	B	C	D	E	F
1/2"	5.92	1.70	3.40	1.60	0.50	0.25
3/4"	6.94	1.80	3.40	2.40	0.50	0.25
1"	-**	1.80	3.40	2.40	0.50	0.25
1-1/4"	-**	2.50	4.40	3.50	0.75	0.25
1-1/2"	-**	2.50	4.40	3.50	0.75	0.25
2"	-**	3.50	5.50	4.50	0.75	0.50

*Length is for a Press x MNPT valve, additional dimensions available upon request
**1" - 2" is FNPT body with MNPT x Press adapter



WARNING: This product can expose you to chemicals including lead, which is known to the State of California to cause cancer, and lead, which is known to the State of California to cause birth defects or other reproductive harm. For more information go to www.P65Warnings.ca.gov.

LIT-HCI-TS 103018

Automatic Balancing Valve

Automatic Flow Limiter • Wafer Connection • 400 WOG



Terminator A Wafer x Wafer

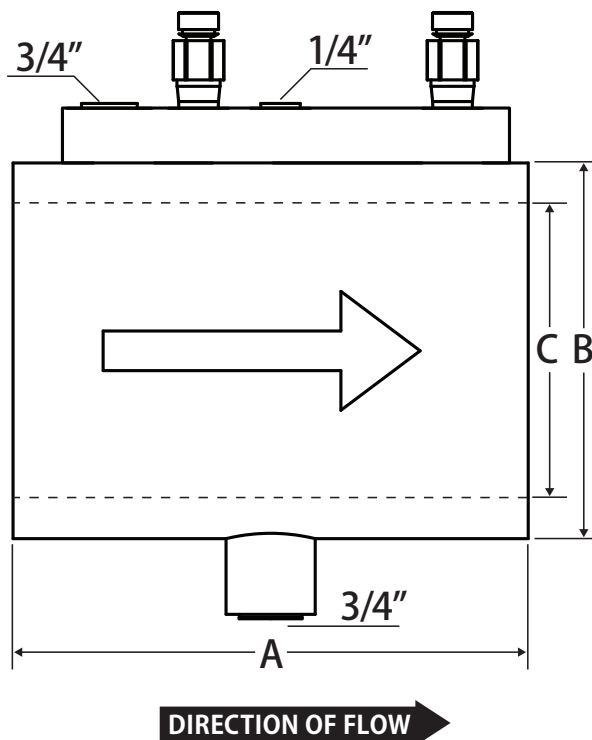
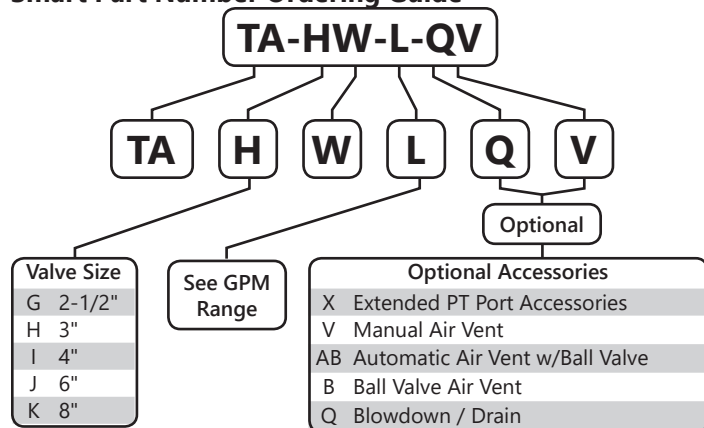
Features

- 2-50 PSID operating range
- +/- 5% Accuracy
- Two pressure / temperature (PT) test ports
- Location tag
- Two additional accessory tap

Pressure and Temperature Rating

- 2-1/2" - 6": 426 WOG
- 8" - 12": 400 WOG
- 350°F Max

Smart Part Number Ordering Guide



DIRECTION OF FLOW →

Material Specifications

Part	Material
Body (2-1/2" - 6")	Cast Iron
Body (8" - 12")	Carbon Steel
Balancing Cartridge	Brass, Stainless steel, EPDM
Cartridge C-Clip Retainer	Carbon Steel

Dimensions

Size	A	B	C
2-1/2"	6.26	4.875	2.56
3"	6.26	5.875	3.34
4"	6.26	6.875	4.86
6"	6.26	8.750	7.10
8"	6.26	11.00	9.26

GPM Range

Size	Flow Rate	Low or High
2-1/2"	10 - 60	L
2-1/2"	61 - 126	H
3"	18 - 126	L
3"	127 - 300	H
4"	18 - 150	L
4"	151 - 326	H
6"	62 - 260	L
6"	261 - 526	H
8"	180 - 463	L
8"	464 - 926	H

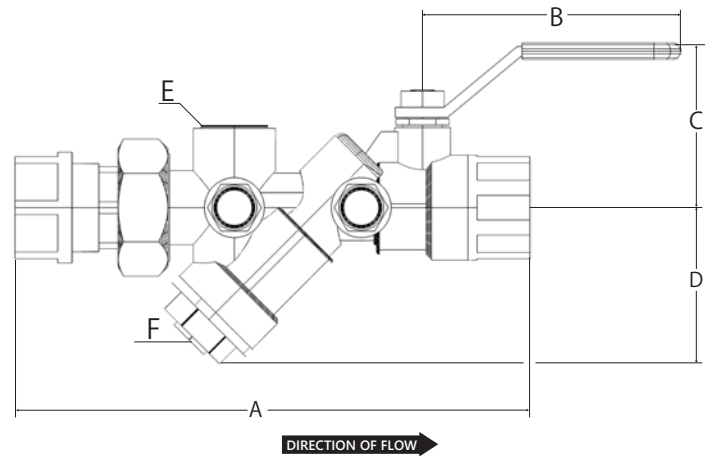
WARNING: This product can expose you to chemicals including lead, which is known to the State of California to cause cancer, and lead, which is known to the State of California to cause birth defects or other reproductive harm. For more information go to www.P65Warnings.ca.gov.

Automatic Balancing Valve

Automatic Flow Limiter • Isolation Ball Valve • Union • 600 WOG



TA1



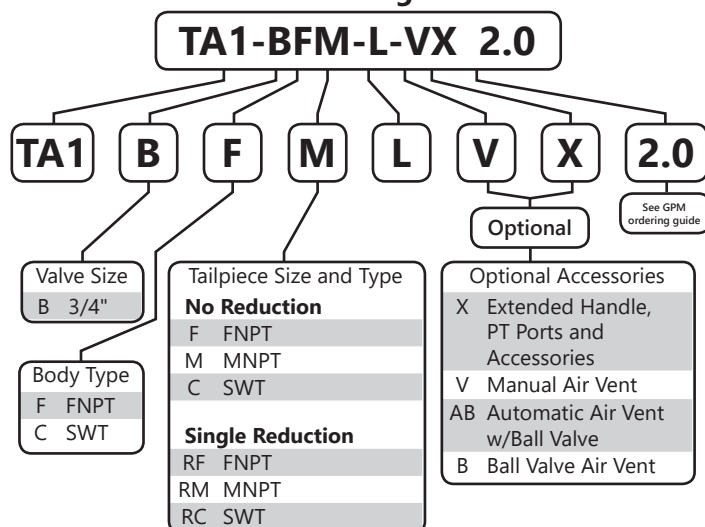
Features

- +/- 5% Accuracy
- Two pressure / temperature (PT) test ports
- Location tag
- Two additional accessory taps
- Triple sealing stem with 2 Viton® o-rings and Teflon® seal
- Blow out proof stem
- 100% leak tested

Pressure and Temperature Rating

- 600 WOG
- 325°F Max

Smart Part Number Ordering Guide



Material Specifications

Part	Material
Body	Brass - C85700
End Connection	Brass - CW617N
Ball	Chrome Plated Brass - CW617N
Seat (2)	PTFE
Stem	Brass - CW617N
Packing	PTFE
Stem O-ring (2)	Viton®
Packing Gland	Brass - CW617N
Handle	Steel - Zinc Plated
Handle Nut	Brass - CW617N
Service Cap	Brass - CW617N
Service Cap O-ring	Viton®
Union Gasket	EPDM
Tail Piece	Brass - C37700
Union Nut	Brass - C37700
Balancing Cartridge	Stainless steel, EPDM
Cartridge Retaining Spring	Stainless Steel

Dimensions

Size	Flow Range	A*	B	C	D	E	F
3/4"	Low Flow	6.28	3.08	2.00	1.86	0.50	0.25
3/4"	High Flow	6.28	3.08	2.00	1.86	0.50	0.25

*Length is for a SWT x MNPT valve, additional dimensions available upon request

GPM Ordering Guide

Size	Cartridge	GPM								PSI
3/4"	C1-L	0.33	0.50	0.75	1.00	1.50	2.00	2.50	3.00	2-32
Low										
3/4"	C1-H	4.00	5.50	-	-	-	-	-	-	5-60
Low										

Pressure range varies, see PSI column



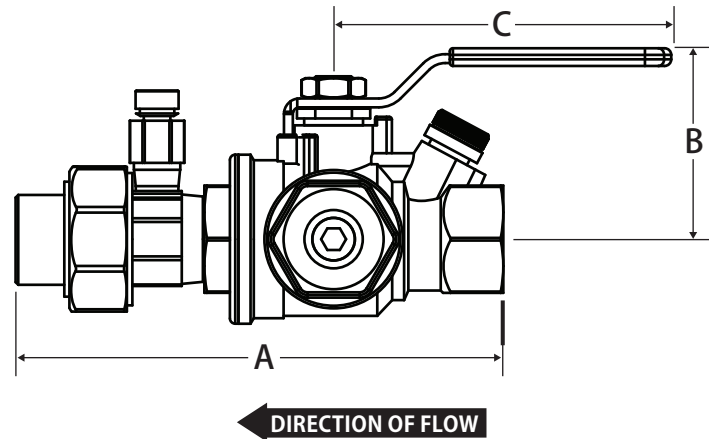
WARNING: This product can expose you to chemicals including lead, which is known to the State of California to cause cancer, and lead, which is known to the State of California to cause birth defects or other reproductive harm. For more information go to www.P65Warnings.ca.gov.

Combination Strainer Valve

Integrated Isolation Ball Valve and Strainer • Union • 400 WOG



Terminator S



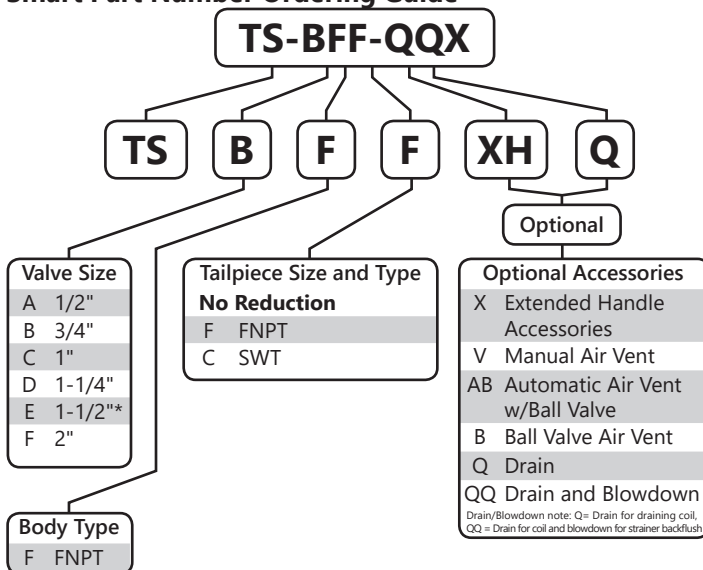
Features

- Integrated back flush
- Pressure / temperature (PT) test ports
- Two additional accessory tap
- Triple sealing stem with 2 Viton® o-rings and Teflon® seal
- Blow out proof stem
- 100% leak tested
- Made in Italy
- Leakproof stem - Lifetime warranty

Pressure and Temperature Rating

- 400 WOG
- 250°F Max

Smart Part Number Ordering Guide



*Does not have back flush feature

Material Specifications

Part	Material
Body	Brass - CW602N
End Connection	Brass - CW602N
Ball	Chrome Plated Brass - CW602N
Seat (2)	Virgin PTFE
Stem	Brass - CW602N
Packing	Virgin PTFE
Stem O-ring (2)	Viton®
Packing Gland	Brass - CW614N
Handle	Steel - Geomet® Plated
Handle Nut	Steel - Geomet® Plated
Filter Basket	304 Stainless Steel
C-Clip Retainer	304 Stainless Steel
Body Insert	Brass - CW602N
Auxiliary Seat	Virgin PTFE
Cap	Brass - CW602N
O-ring	Viton®
Back Flush Plug	Brass - CW614N
Back Flush O-ring	Viton®
Back Flush Cap	Brass - CW614N
Union	(See Terminator U Spec Sheet)

Dimensions

Size	A*	B	C	Cv
1/2"	5.70	2.40	4.75	13.02
3/4"	5.70	2.40	4.75	13.02
1"	6.50	2.60	4.75	16.28
1-1/4"	7.38	3.23	5.88	24.20
1-1/2"	7.68	3.50	5.88	39.63
2"	9.44	3.15	8.13	74.85

*Length is for a FNPT x FNPT valve, additional dimensions available upon request



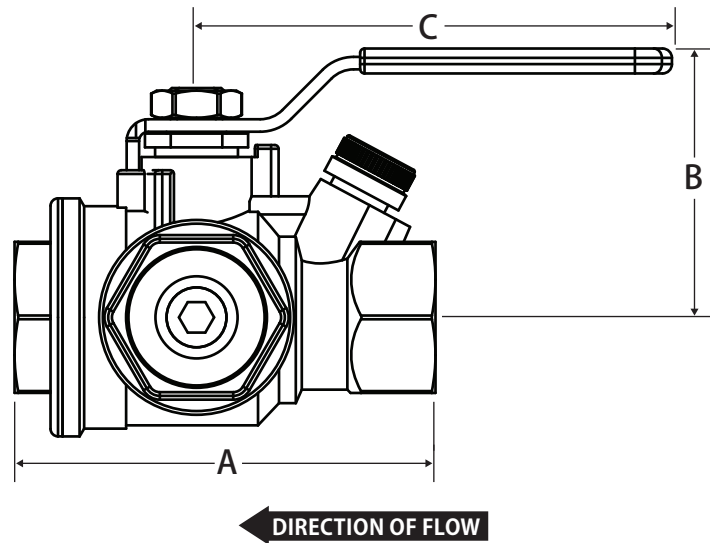
WARNING: This product can expose you to chemicals including lead, which is known to the State of California to cause cancer, and lead, which is known to the State of California to cause birth defects or other reproductive harm. For more information go to www.P65Warnings.ca.gov.

Combination Strainer Valve

Integrated Isolation Ball Valve and Strainer • 400 WOG



Terminator S Junior



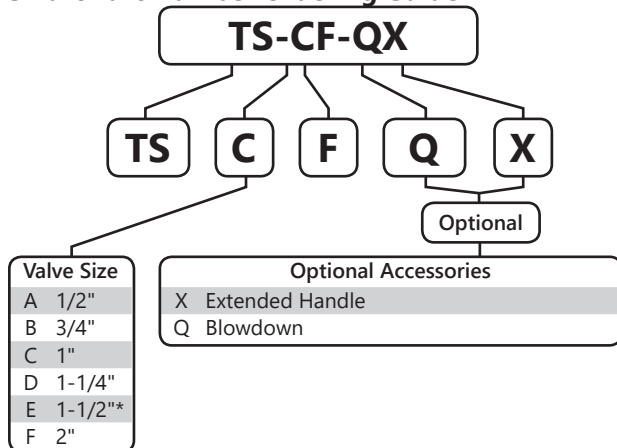
Features

- Integrated backflush
- Additional accessory tap
- Triple sealing stem with 2 Viton® o-rings and Teflon® seal
- Blow out proof stem
- 100% leak tested
- Made in Italy
- Leakproof stem - Lifetime warranty

Pressure and Temperature Rating

- 400 WOG
- 250°F Max

Smart Part Number Ordering Guide



*Does not have back flush feature

Part	Material
Body	Brass - CW602N
End Connection	Brass - CW602N
Ball	Chrome Plated Brass - CW602N
Seat (2)	Virgin PTFE
Stem	Brass - CW602N
Packing	Virgin PTFE
Stem O-ring (2)	Viton®
Packing Gland	Brass - CW614N
Handle	Steel - Geomet® Plated
Handle Nut	Steel - Geomet® Plated
Filter Basket	304 Stainless Steel
C-Clip Retainer	304 Stainless Steel
Body Insert	Brass - CW602N
Auxiliary Seat	Virgin PTFE
Cap	Brass - CW602N
O-ring	Viton®
Back Flush Plug	Brass - CW614N
Back Flush O-ring	Viton®
Back Flush Cap	Brass - CW614N

Size	Dimensions			
	A	B	C	Cv
1/2"	3.48	2.40	4.75	13.02
3/4"	3.48	2.40	4.75	13.02
1"	4.19	2.60	4.75	16.28
1-1/4"	4.84	3.23	5.88	24.20
1-1/2"	5.00	3.50	5.88	39.63
2"	6.61	3.15	8.13	74.85

WARNING: This product can expose you to chemicals including lead, which is known to the State of California to cause cancer, and lead, which is known to the State of California to cause birth defects or other reproductive harm. For more information go to www.P65Warnings.ca.gov.

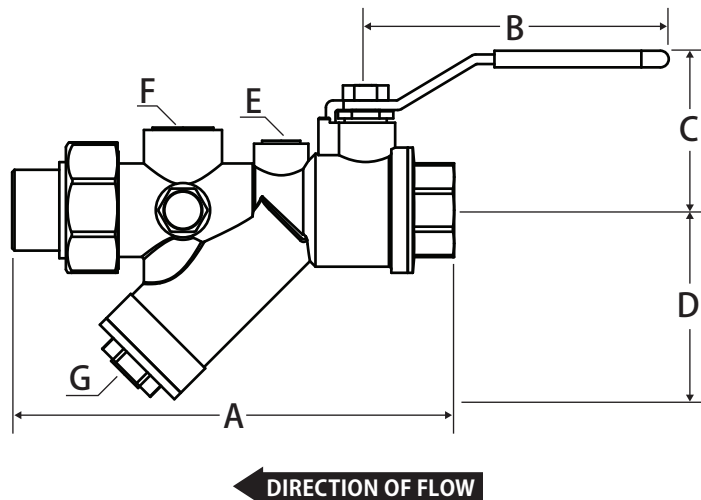
LIT-HCI-TS-103018

Combination Strainer Valve

Y-Strainer • Isolation Ball Valve • 20 Mesh Strainer with Union and PT Port • 600 WOG



Terminator Y



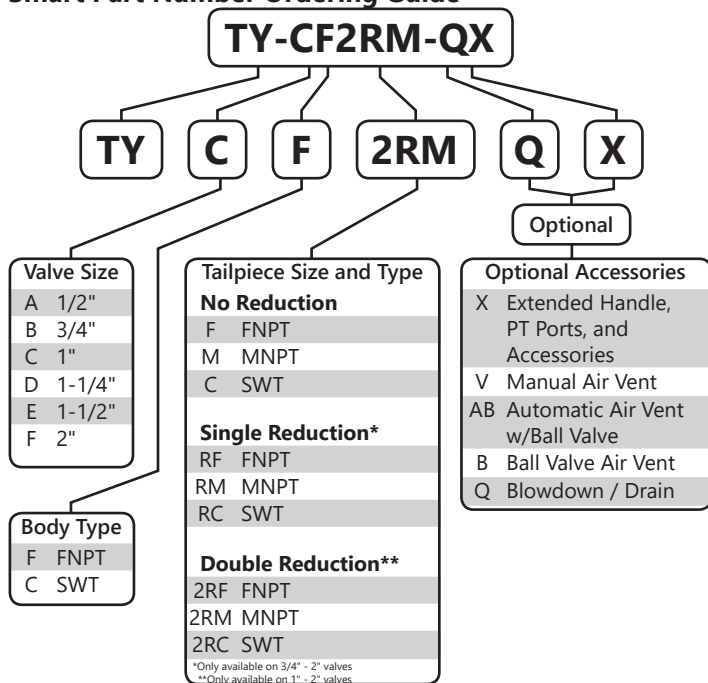
Features

- Three additional accessory tap
- Triple sealing stem with 2 Viton® o-rings and Teflon® seal
- Blow out proof stem
- 100% leak tested

Pressure and Temperature Rating

- 600 WOG
- 325°F Max

Smart Part Number Ordering Guide



Material Specifications

Part	Material
Body	Brass -CW617N
End Connection	Brass -CW617N
Ball	Chrome Plated Brass -CW617N
Seat (2)	PTFE
Stem	Brass -CW617N
Packing	PTFE
Stem O-ring (2)	Viton®
Packing Gland	Brass -CW617N
Handle	Steel - Zinc Plated
Handle Nut	Brass -CW617N
Service Cap	Brass -CW617N
Service Cap O-ring	Viton®
Strainer	304 Stainless Steel
Union Gasket	EPDM
Tail Piece	Brass -CW617N
Union Nut	Brass -CW617N

Dimensions

Size	A*	B	C	D	E	F	G	Cv
1/2"	5.03	3.40	1.70	1.60	0.25	0.50	0.25	5.50
3/4"	5.88	3.40	1.80	2.40	0.25	0.50	0.25	9.00
1"	6.25	3.40	1.80	2.40	0.25	0.50	0.25	9.00
1-1/4"	7.88	4.40	2.50	3.50	0.25	0.75	0.25	28.00
1-1/2"	8.00	4.40	2.50	3.50	0.25	0.75	0.25	28.00
2"	10.31	5.50	3.50	4.50	0.25	0.75	0.50	32.00

*Length is for a SWT x FNPT valve, additional dimensions available upon request

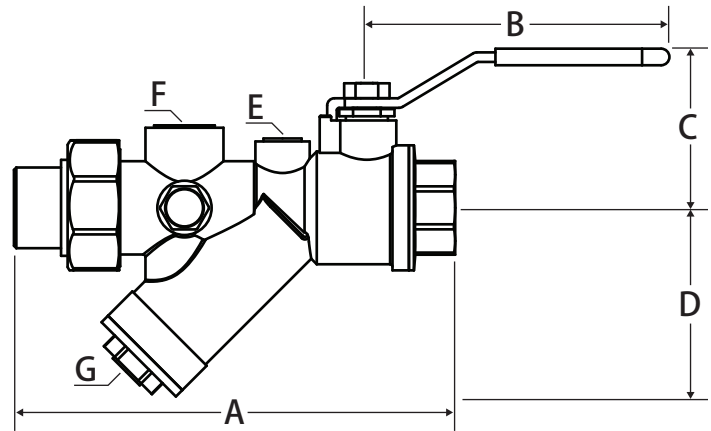
WARNING: This product can expose you to chemicals including lead, which is known to the State of California to cause cancer, and lead, which is known to the State of California to cause birth defects or other reproductive harm. For more information go to www.P65Warnings.ca.gov.

Combination Strainer Valve

Y-Strainer • Isolation Ball Valve • Union • 600 WOG • with Stainless Steel Trim



Terminator Y SS



← DIRECTION OF FLOW

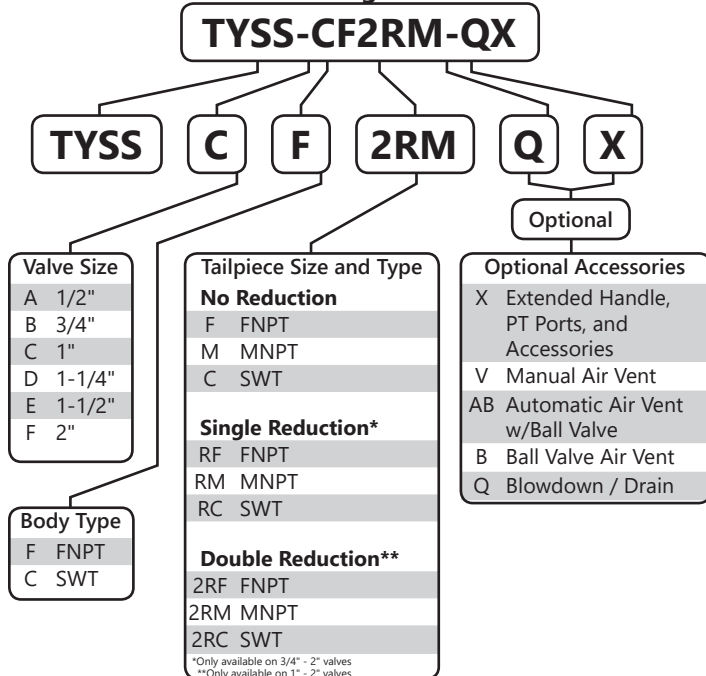
Features

- Three additional accessory tap
- Triple sealing stem with 2 Viton® o-rings and Teflon® seal
- Blow out proof stem
- 100% leak tested

Pressure and Temperature Rating

- 600 WOG
- 325°F Max

Smart Part Number Ordering Guide



Material Specifications

Part	Material
Body	Brass - CW617N
End Connection	Brass - CW617N
Ball	316 Stainless Steel
Seat (2)	PTFE
Stem	316 Stainless Steel
Packing	PTFE
Stem O-ring (2)	Viton®
Packing Gland	Brass - CW617N
Handle	Steel - Zinc Plated
Handle Nut	Brass - CW617N
Service Cap	Brass - CW617N
Service Cap O-ring	Viton®
Strainer	304 Stainless Steel
Union Gasket	EPDM
Tail Piece	Brass - CW617N
Union Nut	Brass - CW617N

Dimensions

Size	A*	B	C	D	E	F	G	Cv
1/2"	5.03	3.40	1.70	1.60	0.25	0.50	0.25	5.50
3/4"	5.88	3.40	1.80	2.40	0.25	0.50	0.25	9.00
1"	6.25	3.40	1.80	2.40	0.25	0.50	0.25	9.00
1-1/4"	7.88	4.40	2.50	3.50	0.25	0.75	0.25	28.00
1-1/2"	8.00	4.40	2.50	3.50	0.25	0.75	0.25	28.00
2"	10.31	5.50	3.50	4.50	0.25	0.75	0.25	32.00

*Length is for a SWT x FNPT valve, additional dimensions available upon request

WARNING: This product can expose you to chemicals including lead, which is known to the State of California to cause cancer, and lead, which is known to the State of California to cause birth defects or other reproductive harm. For more information go to www.P65Warnings.ca.gov.

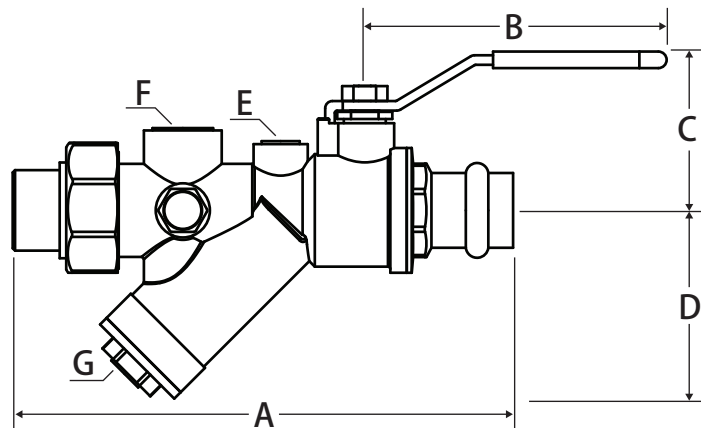
LIT-HCI-TS 103018

Combination Strainer Valve

Y-Strainer • Isolation Ball Valve • Union • Press Body Connection • 250 WOG



Terminator Y Press



← DIRECTION OF FLOW

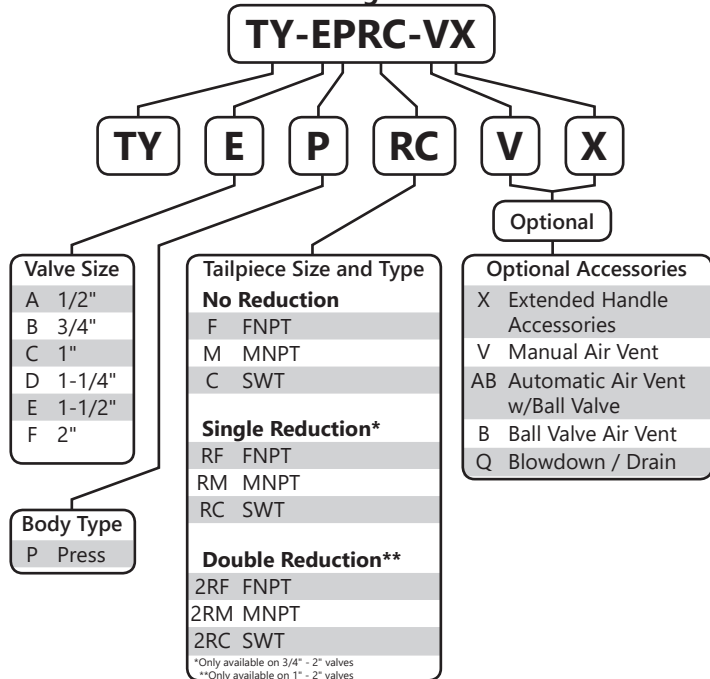
Features

- Three additional accessory tap
- Triple sealing stem with 2 Viton® o-rings and Teflon® seal
- Blow out proof stem
- 100% leak tested

Pressure and Temperature Rating

- 250 WOG
- 325°F Max

Smart Part Number Ordering Guide



Material Specifications

Part	Material
Body	Brass -CW617N
End Connection	Brass -CW617N
Press O-ring	EPDM
Ball	Chrome Plated Brass -CW617N
Seat (2)	PTFE
Stem	Brass -CW617N
Packing	PTFE
Stem O-ring (2)	Viton®
Packing Gland	Brass -CW617N
Handle	Steel - Zinc Plated
Handle Nut	Brass -CW617N
Service Cap	Brass -CW617N
Service Cap O-ring	Viton®
Strainer	304 Stainless Steel
Union Gasket	EPDM
Tail Piece	Brass -CW617N
Union Nut	Brass -CW617N

Dimensions

Size	A*	B	C	D	E	F	G	Cv
1/2"	5.42	3.40	1.70	1.60	0.25	0.50	0.25	5.50
3/4"	6.50	3.40	1.80	2.40	0.25	0.50	0.25	9.00
1"	-**	3.40	1.80	2.40	0.25	0.50	0.25	9.00
1-1/4"	-**	4.40	2.50	3.50	0.25	0.75	0.25	28.00
1-1/2"	-**	4.40	2.50	3.50	0.25	0.75	0.25	28.00
2"	-**	5.50	3.50	4.50	0.25	0.75	0.25	32.00

*Length is for a Press x FNPT valve, additional dimensions available upon request
**1" - 2" is FNPT body with MNPT x Press adapter

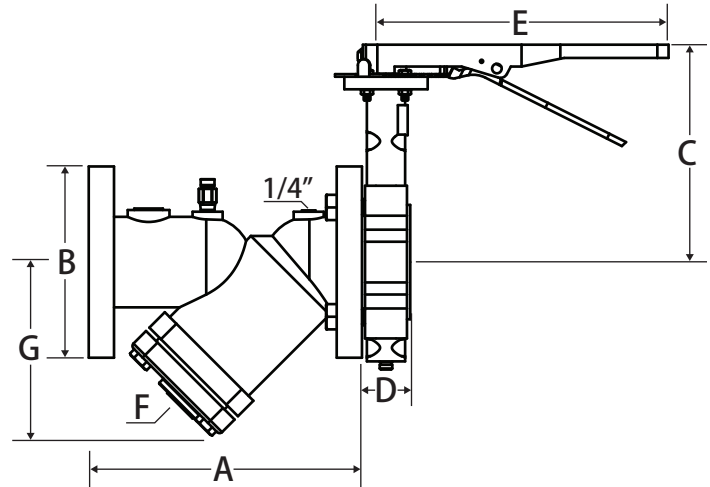
WARNING: This product can expose you to chemicals including lead, which is known to the State of California to cause cancer, and lead, which is known to the State of California to cause birth defects or other reproductive harm. For more information go to www.P65Warnings.ca.gov.

Isolation Y-Strainer

Y-Strainer • Isolation Butterfly Valve • Lug x Flange Connection • Class 125



Terminator S



DIRECTION OF FLOW

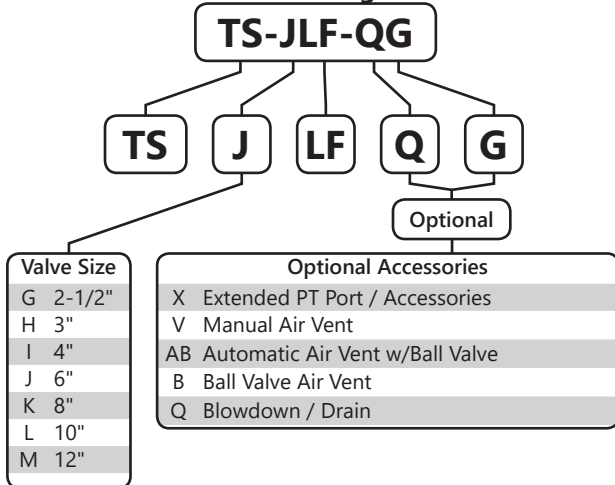
Features

- Pressure / temperature (PT) test port
- Three additional accessory tap
- Ten-position lockable lever handle
- Class 150 Flange
- 100% leak tested
- Standard Screens:
 - 2" - 4": 1/16" perforations
 - 6" - 8": 1/8" perforations
 - 10" - 12": 3/16" perforations

Pressure and Temperature Rating

- 200 WOG
- 150°F Max

Smart Part Number Ordering Guide



Material Specifications

Part	Material
Body	Ductile Iron
Service Cover	Ductile Iron
Bolt (4)	Carbon Steel - A307
Gasket	Non-Asbestos
Strainer	304 Stainless Steel
Butterfly Valve	(See Butterfly Valve Spec Sheet)

Dimensions

Size	A	B	C	D	E	F (NPT)	G
2-1/2"	10.00	7.00	7.60	1.76	10.64	1.00	6.50
3"	10.13	7.50	8.15	1.78	10.64	1.00	7.00
4"	12.13	9.00	8.39	2.05	10.64	1.50	8.25
6"	18.50	11.00	9.13	2.20	10.64	2.00	13.50
8"	21.63	13.50	10.16	2.39	14.18	2.00	15.50
10"	26.00	16.00	11.85	2.58	19.70	2.00	18.50
12"	29.88	19.00	13.11	3.03	19.70	2.00	21.75



WARNING: This product can expose you to chemicals including lead, which is known to the State of California to cause cancer, and lead, which is known to the State of California to cause birth defects or other reproductive harm. For more information go to www.P65Warnings.ca.gov.

LIT-HCI-TS 103018

Y-Strainer

Y-Strainer • Flange Connection • Class 125



Terminator Y

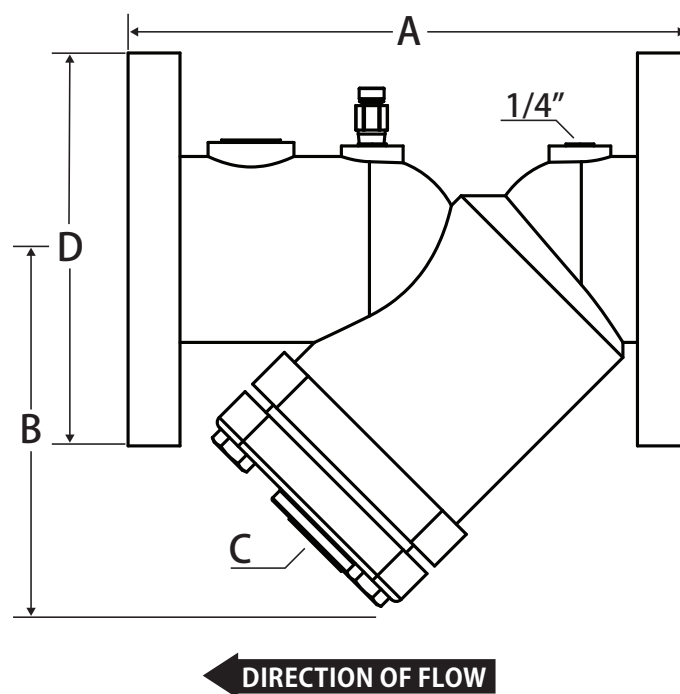
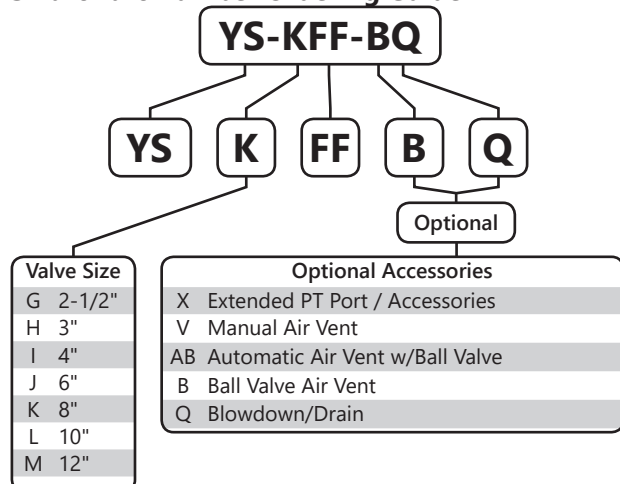
Features

- Three additional accessory taps
- Class 125 Flange
- 100% leak tested
- Standard Screens:
 - 2" - 4": 1/16" perforations
 - 6" - 8": 1/8" perforations
 - 10" - 12": 3/16" perforations

Pressure and Temperature Rating

- 200 WOG
- 150°F Max

Smart Part Number Ordering Guide



Material Specifications

Part	Material
Body	Ductile Iron
Service Cover	Ductile Iron
Bolt (4)	Carbon Steel - A307
Gasket	Non-Asbestos
Strainer	304 Stainless Steel

Dimensions

Size	A	B	C (NPT)	D
2-1/2"	10.00	6.50	1.00	7.00
3"	10.13	7.00	1.00	7.50
4"	12.13	8.25	1.50	9.00
6"	18.50	13.50	2.00	11.00
8"	21.63	15.50	2.00	13.50
10"	26.00	18.50	2.00	16.00
12"	29.88	21.75	2.00	19.00

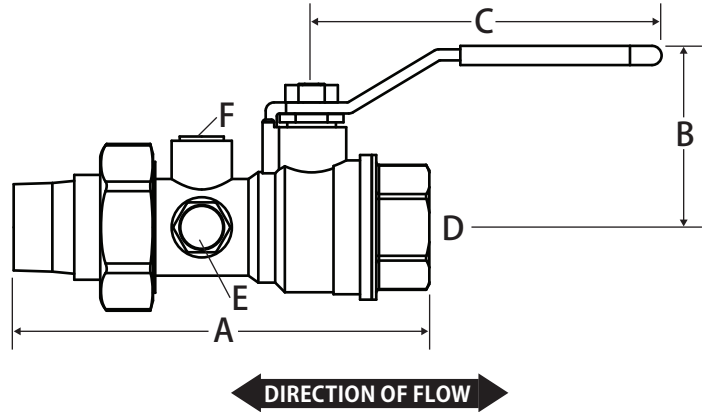
WARNING: This product can expose you to chemicals including lead, which is known to the State of California to cause cancer, and lead, which is known to the State of California to cause birth defects or other reproductive harm. For more information go to www.P65Warnings.ca.gov.

Combination Ball Valve

Isolation Ball Valve • Union • 600 WOG



Terminator N



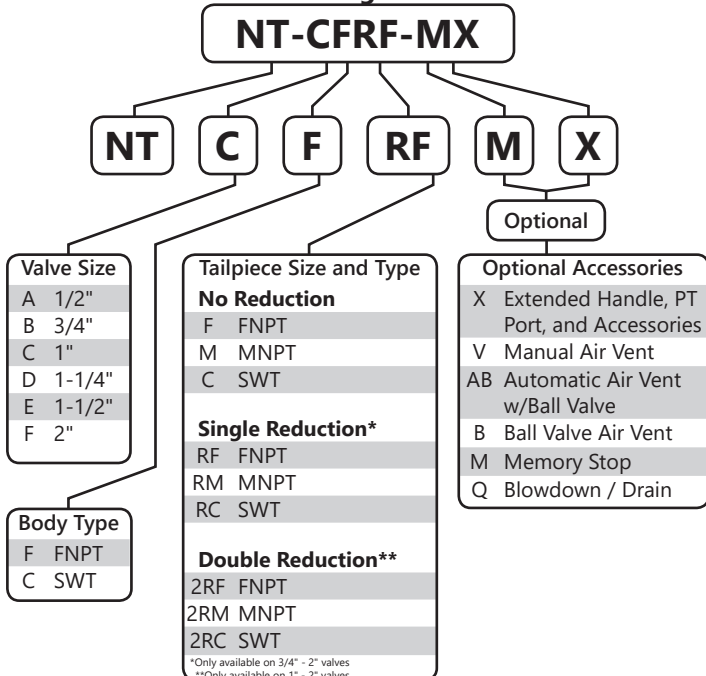
Features

- Pressure / temperature (PT) test ports
- Additional accessory tap
- Triple sealing stem with 2 Viton® o-rings and Teflon® seal
- Blow out proof stem
- 100% leak tested
- Made in Italy
- Leakproof steam - Lifetime warranty

Pressure and Temperature Rating

- 1/2" - 3/4" 600 WOG
- 1" - 2" 500 WOG
- 300°F Max

Smart Part Number Ordering Guide



Material Specifications

Part	Material
Body	Brass - CW617N
End Connection	Brass - CW617N
Ball	Chrome Plated Brass -CW617N
Seat (2)	Virgin PTFE
Stem	Brass - CW614N
Packing	Virgin PTFE
Stem O-ring (2)	Viton®
Packing Gland	Brass - CW614N
Handle	Steel - Geomet® Plated
Handle Nut	Steel - Geomet® Plated
Union O-ring	Viton®
Tail Piece	Brass - CW617N
Union Nut	Brass - CW617N

Dimensions

Size	A*	B	C	D	E	F	Cv
1/2"	4.68	1.53	2.95	0.59	0.25	0.25	16.82
3/4"	4.73	1.93	3.74	0.79	0.25	0.25	34.80
1"	5.44	2.40	4.72	1.00	0.25	0.25	52.20
1-1/4"	6.45	2.59	4.72	1.25	0.37	0.25	112.52
1-1/2"	7.10	3.22	5.90	1.57	0.37	0.25	174.00
2"	7.68	3.50	5.90	2.00	0.37	0.25	255.20

*Length is for a FNPT x MNPT valve, additional dimensions available upon request



WARNING: This product can expose you to chemicals including lead, which is known to the State of California to cause cancer, and lead, which is known to the State of California to cause birth defects or other reproductive harm. For more information go to www.P65Warnings.ca.gov.

LIT-HCI-TS-103018

Combination Ball Valve

Isolation Ball Valve • Union • Press Body Connection • 250 WOG



Terminator N Press

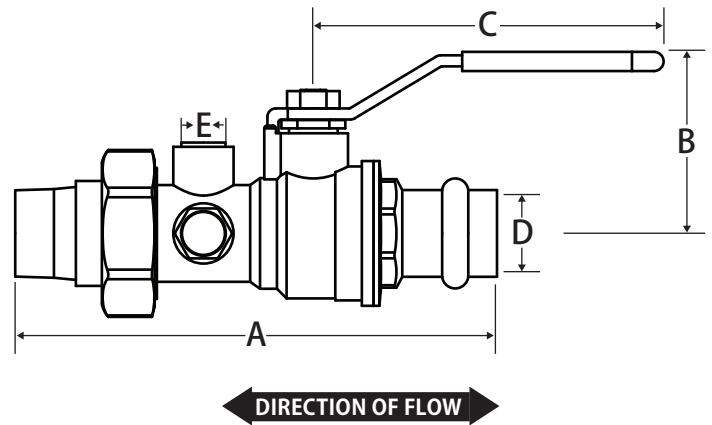
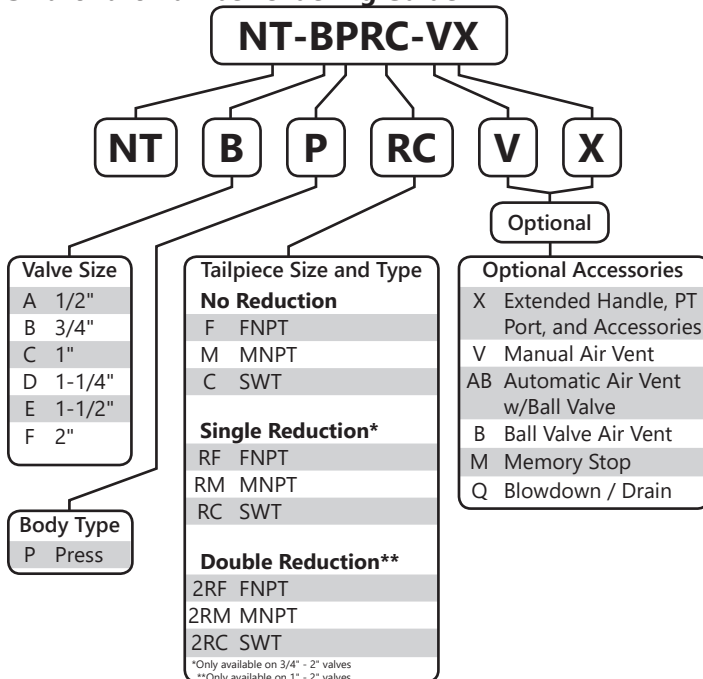
Features

- Pressure / temperature (PT) test ports
- Additional accessory tap
- Triple sealing stem with 2 Viton® o-rings and Teflon® seal
- Blow out proof stem
- 100% leak tested
- Leakproof stem - Lifetime warranty

Pressure and Temperature Rating

- 250 WOG
- 300°F Max

Smart Part Number Ordering Guide



Material Specifications

Part	Material
Body	Brass - CW617N
End Connection	Brass - CW617N
Press O-ring	EPDM
Ball	Chrome Plated Brass - CW617N
Seat (2)	Virgin PTFE
Stem	Brass - CW614N
Packing	Virgin PTFE
Stem O-ring (2)	Viton®
Packing Gland	Brass - CW614N
Handle	Steel - Geomet® Plated
Handle Nut	Steel - Geomet® Plated
Union O-ring	Viton®
Tail Piece	Brass - CW617N
Union Nut	Brass - CW617N

Dimensions

Size	A*	B	C	D	E	Cv
1/2"	5.29	1.53	2.95	0.59	0.25	20.25
3/4"	5.38	1.93	3.74	0.79	0.25	41.83
1"	-**	2.40	4.72	1.00	0.25	78.38
1-1/4"	-**	2.59	4.72	1.25	0.37	132.10
1-1/2"	-**	3.22	5.90	1.57	0.37	206.96
2"	-**	3.50	5.90	2.00	0.37	346.00

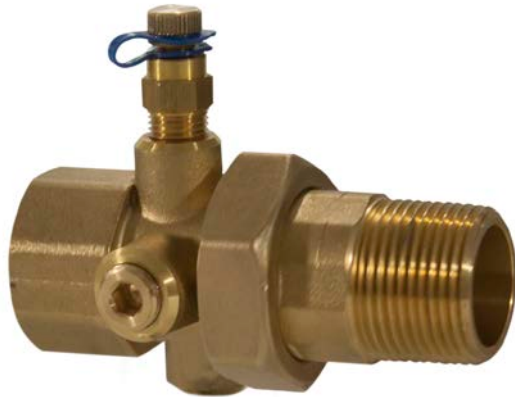
*Length is for a Press x FNPT valve, additional dimensions available upon request
**1" - 2" is FNPT body with MNPT x Press adapter



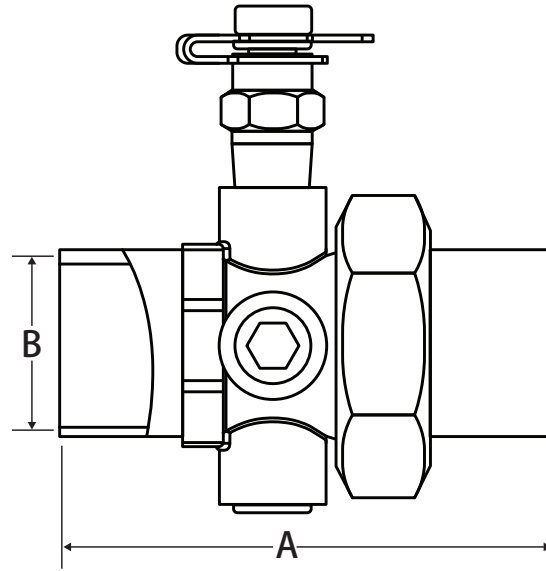
WARNING: This product can expose you to chemicals including lead, which is known to the State of California to cause cancer, and lead, which is known to the State of California to cause birth defects or other reproductive harm. For more information go to www.P65Warnings.ca.gov.

Hydronic Union

600 WOG



Terminator U



DIRECTION OF FLOW

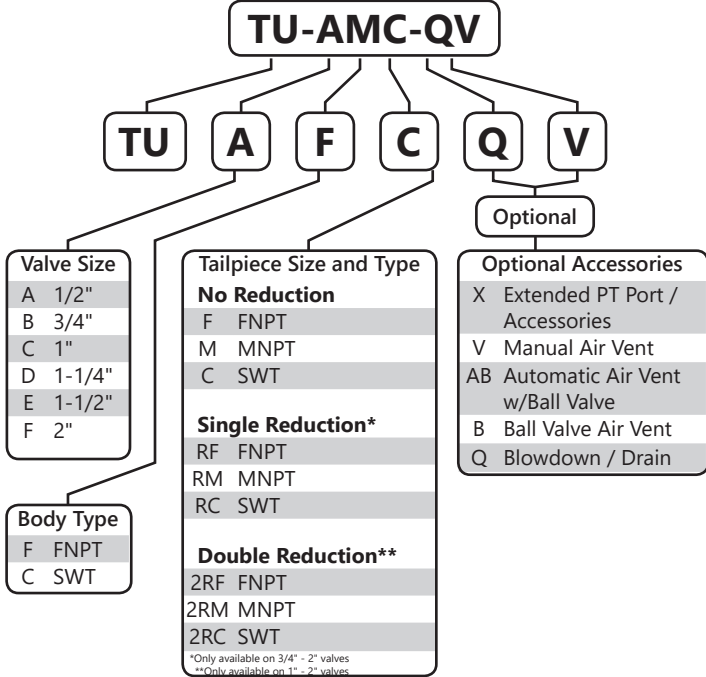
Features

- Pressure / temperature (PT) test ports
- Additional accessory taps
- 100% leak tested

Pressure and Temperature Rating

- 600 WOG
- 250°F Max

Smart Part Number Ordering Guide



Material Specifications

Part	Material
Body	Brass - CW617N
O-ring	EPDM
Tail Piece	Brass - CW617N
Union Nut	Brass - CW617N

Dimensions

Size	A	B
1/2"	2.30	0.63
3/4"	3.10	0.88
1"	3.28	1.13
1-1/4"	3.99	1.38
1-1/2"	3.86	1.63
2"	4.65	2.13

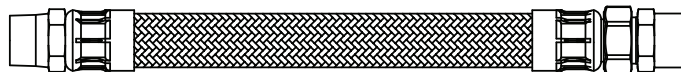
Note: Dimensions for a SWT x SWT valve, additional dimensions available upon request

WARNING: This product can expose you to chemicals including lead, which is known to the State of California to cause cancer, and lead, which is known to the State of California to cause birth defects or other reproductive harm. For more information go to www.P65Warnings.ca.gov.

LIT-HCI-TS-103018

Flexible Hose

Braided Stainless Steel Hose • EPDM Core • Union



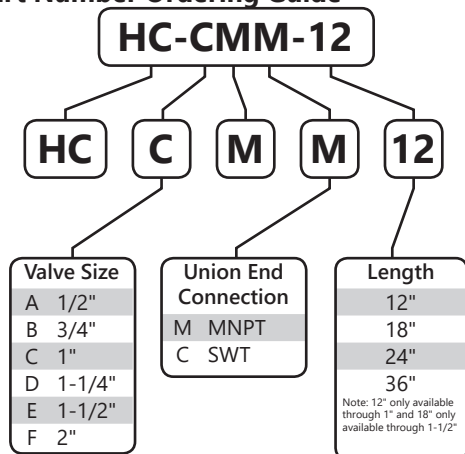
Features

- ASTM E84 Fire rated - meets 25/50
- Union Connection
 - 1/2" - 1" gasket-less cone connection
 - 1-1/4" - 2" flat connection with BA-U fiber gasket
- 100% leak tested

Temperature Rating

-5°F to 230°F

Smart Part Number Ordering Guide



WARNING: This product can expose you to chemicals including lead, which is known to the State of California to cause cancer, and lead, which is known to the State of California to cause birth defects or other reproductive harm. For more information go to www.P65Warnings.ca.gov.

Material Specifications

Part	Material
Hose Braiding	304 Stainless Steel
Crimping Ferrules	304 Stainless Steel
Core	EPDM
End Connection (2)	Brass - CW614N
Union Nut	Nickle Plated Brass - CW614N
Tail Piece	Brass - CW614N
Gasket*	BA-U Fiber

*Gasket only used on 1 1/4" - 2" hoses

Length	Cv					
	1/2"	3/4"	1"	1-1/4"	1-1/2"	2"
12"	3.3	11.0	20.9	N/A	N/A	N/A
18"	3.2	10.7	20.3	37.9	64.4	N/A
24"	3.1	9.9	19.5	36.9	61.0	110.7
36"	3.0	9.3	18.2	34.7	55.0	100.8

Max. Operating & Burst Pressure Rating		
Size	Operating (PSI)	Burst (PSI)
1/2"	375	1500
3/4"	300	1200
1"	225	900
1-1/4"	200	800
1-1/2"	175	600
2"	150	500

Installation Notes

- **ON INSTALLATION :** Avoid absolutely any tension due to stretching, twisting or torsion during the course of tightening the connectors.
 - Install and tighten the fixed male connector
 - Install and tighten the union adapter
 - Install and tighten the swivel nut
- Use two spanners in order to screw in the union: One to hold the hexagon of the adapter. The other to tighten the nut at the same time.

IMPORTANT - Do not re-screw the fixed connector or adaptor after tightening of the swivel nut; this will cause torsion on the flexible hose, with a risk of rapid deterioration. On removal, take the same precautions. Not applicable for gas applications. Before installing refer to the installation & operation instructions for complete details.

Drain and Blowdown Valve

Isolation Ball Valve • 600 WOG



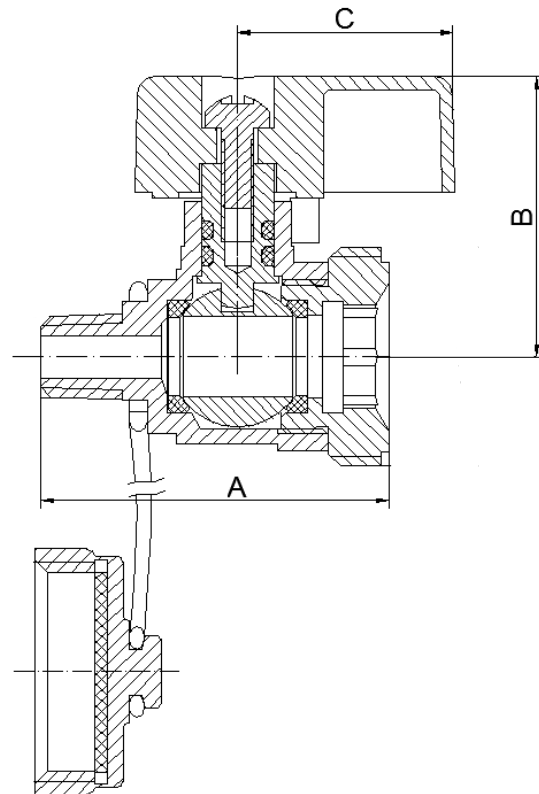
Features

- 3/4" garden hose drain connection
- Includes drain cap and retainer
- 100% leak tested

Pressure and Temperature Rating

- 600 WOG
- 300°F Max

WARNING: This product can expose you to chemicals including lead, which is known to the State of California to cause cancer, and lead, which is known to the State of California to cause birth defects or other reproductive harm. For more information go to www.P65Warnings.ca.gov.



Material Specifications

Part	Material
Body	Brass - CW617N
Retaining Ring	Brass - CW617N
Ball	Chrome Plated Brass - C3604DB
Seat (2)	PTFE
Stem	Brass - CW617N
Stem Sealing	EPDM
Handle	Painted Aluminum
Screw	Steel - Nickel Plated
Cap	Brass - CW617N
Retaining Strap	Plastic
Washer Ring	EPDM

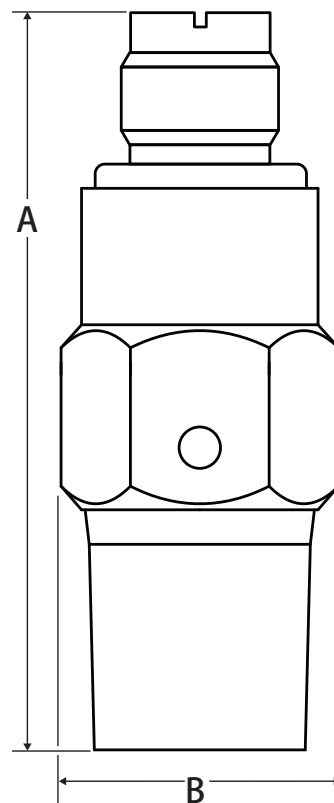
Dimensions

Part #	Inlet	Outlet	A	B	C
TQ-B1	1/4" MNPT	3/4" GH	1.76	1.37	1.06

LIT-HCI-TS-103018

Manual Air Vent

Coin Operated • 150 WOG



Features

- 100% leak tested

Pressure and Temperature Rating

- 125 WOG
- 250°F Max

Material Specifications

Part	Material
Body	Brass - C36000
Plug Screw	Brass - C36000

Dimensions

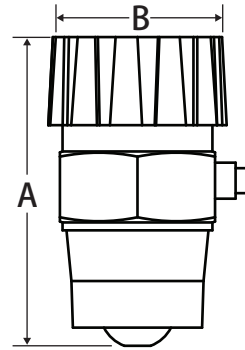
Part #	Size	A	B
TV-A2	1/4" MNPT	1.63	0.58
TVX-A2-N	1/4" MNPT	2.75	0.58



WARNING: This product can expose you to chemicals including lead, which is known to the State of California to cause cancer, and lead, which is known to the State of California to cause birth defects or other reproductive harm. For more information go to www.P65Warnings.ca.gov.

Automatic Air Vent

Hygroscopic Discs • 125 WOG



Features

- Manual Override
- 100% leak tested

Pressure and Temperature Rating

- 125 WOG
- 230°F Max

Material Specifications

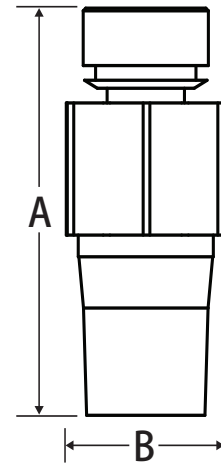
Part	Material
Body	Nickle Plated Brass - C36000
Disc Bearing Cover	Nickle Plated Brass - C36000
Disc Holder	Nickle Plated Brass - C36000
Hygroscopic Discs	Cellulose Fiber
O-Ring	Neoprene
Check Valve	304 Stainless Steel
Cap	ABS

Dimensions

Part #	Size	A	B
AAV-A1	1/4" MNPT	1.26	0.70

Pressure / Temperature Test Port

Dual Nordel Core • 1000 WOG • with PT Port Cap Retainer



Pressure and Temperature Rating

- 1000 WOG
- 350°F Max



WARNING: This product can expose you to chemicals including lead, which is known to the State of California to cause cancer, and lead, which is known to the State of California to cause birth defects or other reproductive harm. For more information go to www.P65Warnings.ca.gov.

Material Specifications

Part	Material
Body	Brass
Core	Nordel
Cap	Brass
Flat Washer	Buna-N

Dimensions

Part #	Size	Port Length	A	B
SP-B	1/4"	1-1/2"	1.55	.56
SP-BXL	1/4"	3"	3.03	.56

Memory Stop



Material Specifications

Part	Material
Metering Plate	Aluminum
Memory Stop	Brass - CW617N
Memory Stop Screw	Steel - Geomet® Plated

Dimensions

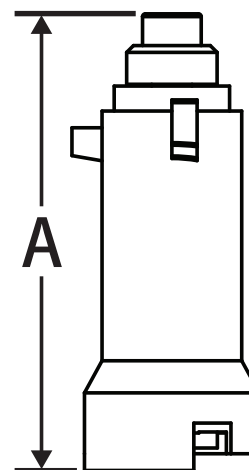
Part #	Size	Fits
MS-A	1/2"	NT, T-100 Series
MS-B	3/4"	NT, T-100 Series
MS-C	1" - 1-1/4"	NT, T-100 Series
MS-D	1-1/2" - 2"	NT, T-100 Series



WARNING: This product can expose you to chemicals including lead, which is known to the State of California to cause cancer, and lead, which is known to the State of California to cause birth defects or other reproductive harm. For more information go to www.P65Warnings.ca.gov.

Handle Extension

Compatible with Memory Stop



Features

- Allows for easy insulation

Material Specifications

Part	Material
Body	Brass - CW617N
Inner Rod	Brass - CW614N
Spacer	Steel
Screw	Steel - Geomet® Plated

Dimensions

Part #	Fits				A
	TB	NT	T100	TS	
TX-A-MS	1/2" - 3/4"	1/2"	1/2"		2.0
TX-B-MS	1"	3/4"	3/4"		2.0
TX-C-MS	1-1/4" - 1-1/2"	1" - 1-1/4"	1" - 1-1/4"	1/2" - 1"	2.0
TX-D-MS	2"	1-1/2", 2"	1-1/2", 2"	1-1/4" - 1-1/2"	2.0
TX-E*	-	-	-	2"	2.0

* Does not accommodate memory stop



WARNING: This product can expose you to chemicals including phthalates, which is known to the State of California to cause cancer, and phthalates, which is known to the State of California to cause birth defects or other reproductive harm. For more information go to www.P65Warnings.ca.gov.

Differential Metering Kit



Dimensions

Part #	DP IN. (WC) Range	Description
MK-50	0" - 50"	Differential Pressure In. of WC
MK-100	0" - 100"	Differential Pressure In. of WC

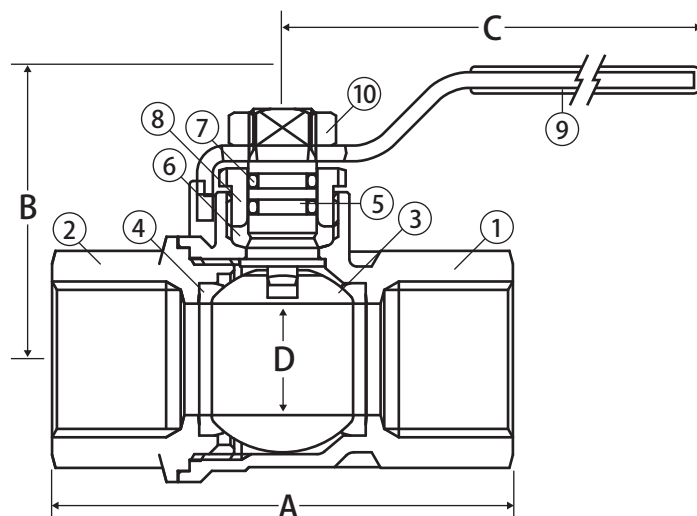
Brass Ball Valve

2 Piece • Full Port • Threaded Connections • 600 WOG



H100T

CRN# 0C16887.5469870YTN



Features

- Blow-out proof stem
- Triple sealing stem with 2 Viton® o-rings and Teflon® seal
- 100% leak tested
- 100% Made in Italy
- Leakproof stem - Lifetime Warranty
- 29 in-HG vacuum rating

Approvals

- UL Listed (1/4" - 2")
 - VQGU - Trim & drain
 - MHKZ - Manual valves
 - YQNZ - Compressed gas shut-off valves
 - YRBX - Flammable liquid shut-off valves
 - YRPV - Gas shut-off valves
 - YSDT - LP gas shut-off valves
 - SFJQ - Valves, refrigerant
- CSA Certified
 - ANSI Z21.15 (.5 PSIG) (1/4" - 3")
 - ASME B16.33 (125 PSIG) (1/2" - 2")
 - ASME B16.38 (125PSIG) (2-1/2" - 4")
 - CGA 3.16 (125 PSI) (1/4" - 4")
 - CGA 9.2 (1/4" - 3")
 - Delta C (3/8" - 3/4")
- FM Approval (1/4" - 2")
- MSS SP-110
- ANSI B1.20.1

Material Specifications

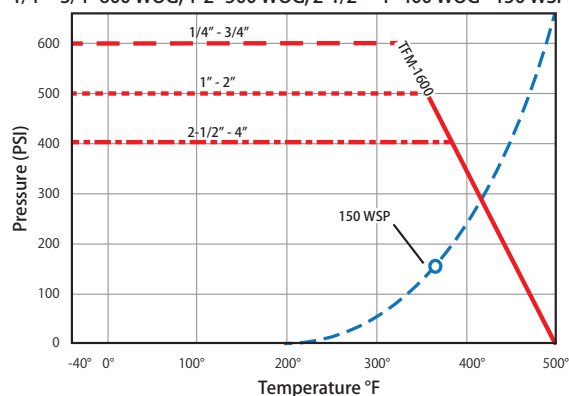
No.	Part	Material
1	Body	Brass - CW617N
2	End Connection	Brass - CW617N
3	Ball	T.E.A. Coated Brass - CW617N
4	Seat (2)	Hostafilon® TFM 1600
5	Stem	Brass - CW614N
6	Packing	Hostafilon® TFM 1600
7	Stem O-ring (2)	Viton®
8	Packing Gland	Brass - CW614N
9	Handle	Steel - Geomet® Plated
10	Handle Nut	Steel - Geomet® Plated

Dimensions

Part No.	Size	A	B	C	D	Cv
H100-701	1/4"	1.86	1.41	2.95	0.39	7.66
H100-702	3/8"	1.86	1.41	2.95	0.39	7.77
H100-703	1/2"	2.45	1.53	2.95	0.59	16.82
H100-704	3/4"	2.71	1.95	3.74	0.79	34.80
H100-705	1"	3.30	2.40	4.75	0.97	52.20
H100-706	1-1/4"	3.80	2.59	4.75	1.23	112.52
H100-707	1-1/2"	4.16	3.22	6.00	1.49	174.00
H100-708	2"	5.00	3.40	6.00	1.99	255.20
H100-709	2 1/2"	6.06	4.60	8.00	2.46	350.32
H100-710	3"	7.08	4.90	8.00	2.99	563.76
H100-711	4"	8.57	5.90	9.88	4.00	879.28

Valve Seat Rating

1/4" - 3/4" 600 WOG, 1-2" 500 WOG, 2-1/2" - 4" 400 WOG - 150 WSP



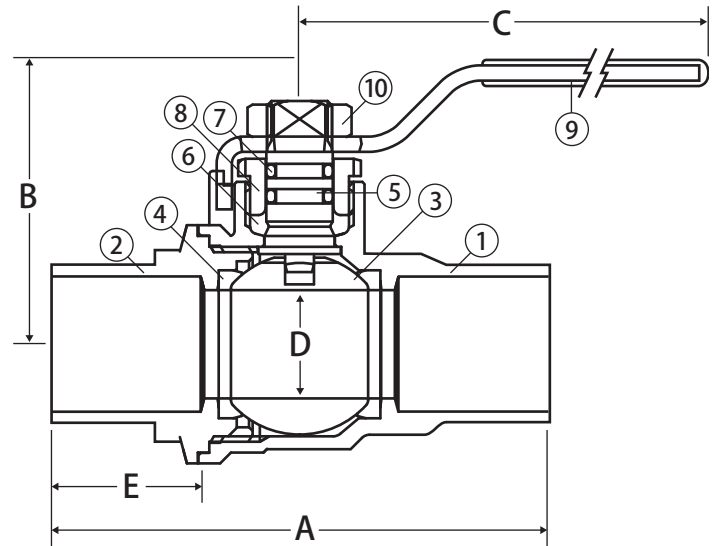
WARNING: This product can expose you to chemicals including lead, which is known to the State of California to cause cancer, and lead, which is known to the State of California to cause birth defects or other reproductive harm. For more information go to www.P65Warnings.ca.gov.

Brass Ball Valve

2 Piece • Full Port • Solder Connection • 600 WOG



H100S



Features

- Blow-out proof stem
- Triple sealing stem with 2 Viton® o-rings and Teflon® seal
- 100% leak tested
- 100% Made in Italy
- Leakproof stem - Lifetime Warranty
- 29 in-Hg vacuum rating

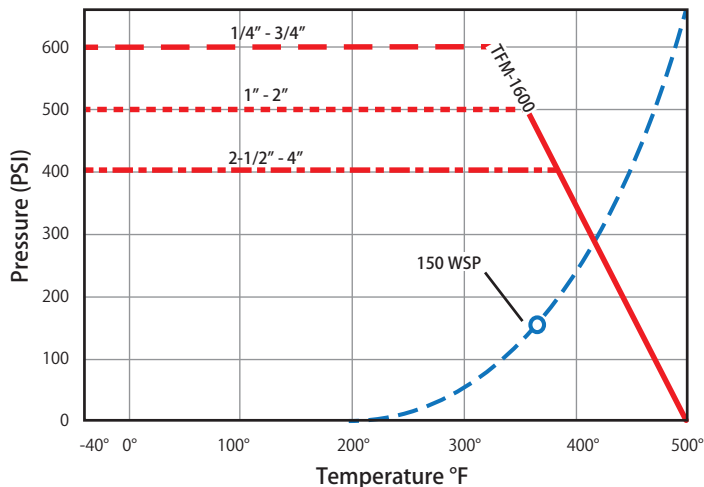
Approvals



- UL Listed (1/2" - 2")
 - VQGU - Trim & drain
- FM Approval (1/2" - 2")
- MSS SP-110
- ASME/ANSI B16.18

Valve Seat Rating

1/4" - 3/4" 600 WOG, 1-2" 500 WOG, 2-1/2" - 4" 400 WOG - 150 WSP



Material Specifications

No.	Part	Material
1	Body	Brass - CW617N
2	End Connection	Brass - CW617N
3	Ball	T.E.A. Coated Brass - CW617N
4	Seat (2)	Hostaflon® TFM 1600
5	Stem	Brass - CW614N
6	Packing	Hostaflon® TFM 1600
7	Stem O-ring (2)	Viton®
8	Packing Gland	Brass - CW614N
9	Handle	Steel - Geomet® Plated
10	Handle Nut	Steel - Geomet® Plated

Dimensions

Part No.	Size	A	B	C	D	E	Cv
H100-813	1/2"	2.48	1.56	2.95	0.59	0.51	16.82
H100-814	3/4"	3.26	2.05	3.74	0.79	0.76	34.80
H100-815	1"	3.94	2.55	4.75	0.97	0.92	52.20
H100-816	1-1/4"	4.50	2.66	4.75	1.23	0.98	112.52
H100-817	1-1/2"	5.07	3.31	6.00	1.49	1.10	174.00
H100-818	2"	6.22	3.60	6.00	1.99	1.34	255.20
H100-819	2 1/2"	7.28	4.74	8.00	2.46	1.45	350.32
H100-820	3"	8.48	5.05	8.00	2.99	1.63	563.76



WARNING: This product can expose you to chemicals including lead, which is known to the State of California to cause cancer, and lead, which is known to the State of California to cause birth defects or other reproductive harm. For more information go to www.P65Warnings.ca.gov.

LIT-HCI-TS 103018

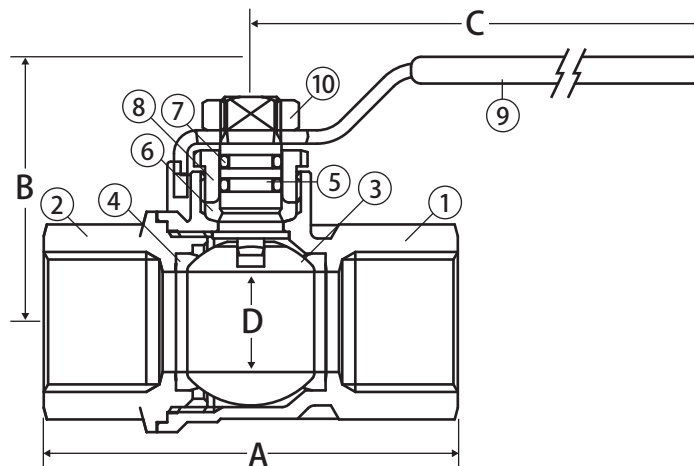
Brass Ball Valve

2 Piece • Full Port • Threaded Connection • 600 WOG • with Stainless Steel Ball and Stem



CRN# 0C16887.5469870YTN

H100TSS



Material Specifications

No.	Part	Material
1	Body	T.E.A. Coated Brass - CW617N
2	End Connection	T.E.A. Coated Brass - CW617N
3	Ball	316 Stainless Steel
4	Seat (2)	Hostaflon® TFM 1600
5	Stem	316 Stainless Steel
6	Packing	Hostaflon® TFM 1600
7	Stem O-ring (2)	Viton®
8	Packing Gland	Nickel Plated Brass - CW614N
9	Handle	Steel - Geomet® Plated
10	Handle Nut	Steel - Geomet® Plated

Features

- Blow-out proof stem
- T.E.A. Ternary Eco Alloy® coated body, which prevents dezincification and galvanic corrosion
- Triple sealing stem with 2 Viton® o-rings and Teflon® seal
- 100% leak tested
- 100% Made in Italy
- Leakproof stem - Lifetime Warranty
- 29 in-Hg vacuum rating

Approvals  

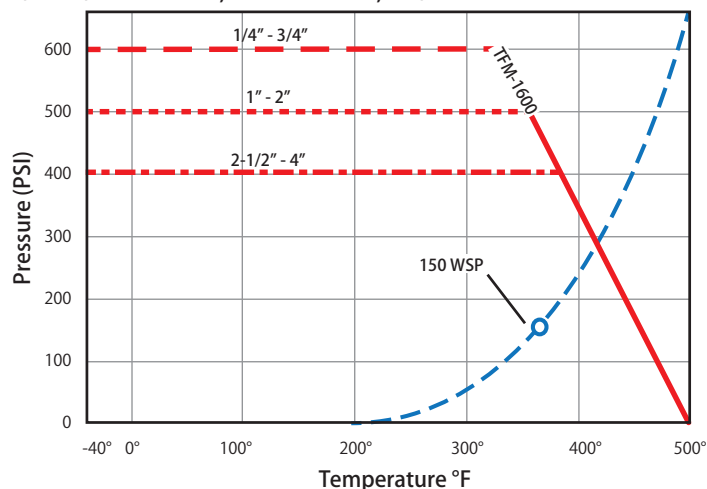
- CSA Certified
 - ASME B16.33 (125 PSIG) (1/2" - 2")
 - CGA 3.16 (125 PSIG) (1/4" - 2")
- FM Approval (1/4" - 2")
- ANSI B1.20.1
- MSS SP-110

Dimensions

Part No.	Size	A	B	C	D	Cv
H100-501	1/4"	1.86	1.41	2.95	0.39	7.66
H100-502	3/8"	1.86	1.41	2.95	0.39	7.77
H100-503	1/2"	2.45	1.53	2.95	0.59	16.82
H100-504	3/4"	2.71	1.95	3.74	0.79	34.80
H100-505	1"	3.30	2.40	4.75	0.97	52.20
H100-506	1-1/4"	3.80	2.59	4.75	1.23	112.52
H100-507	1-1/2"	4.16	3.22	6.00	1.49	174.00
H100-508	2"	5.00	3.40	6.00	1.99	255.20
H100-509	2 1/2"	6.06	4.60	8.00	2.46	350.32
H100-510	3"	7.08	4.90	8.00	2.99	563.76

Valve Seat Rating

1/4" - 3/4" 600 WOG, 1-2" 500 WOG, 2-1/2" - 4" 400 WOG - 150 WSP

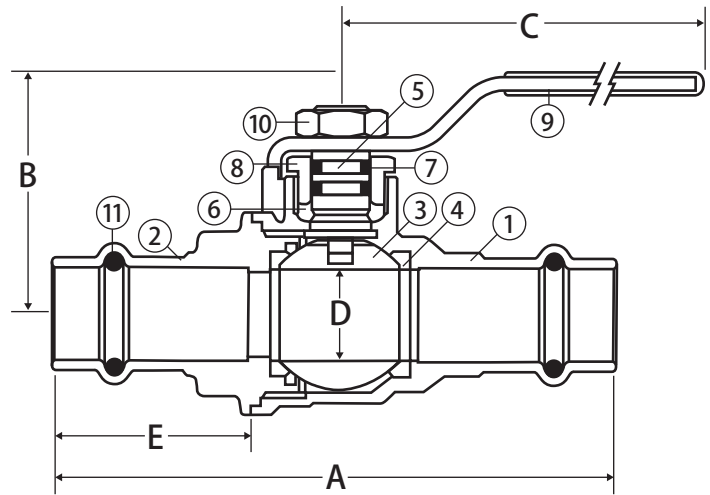


Brass Ball Valve

2 Piece • Full Port • Press Connection • 250 WOG



H100P



Features

- Blow-out proof stem
- Triple sealing stem with 2 Viton® o-rings and Teflon® seal
- Corrosion resistant brass
- 100% leak tested
- 100% Made in Italy
- Leakproof stem - Lifetime Warranty

Approvals

- Conforms to IAPMO PS 117

Pressure/Temperature Rating

- 250 WOG
- Max. 250°F

WARNING: This product can expose you to chemicals including lead, which is known to the State of California to cause cancer, and lead, which is known to the State of California to cause birth defects or other reproductive harm. For more information go to www.P65Warnings.ca.gov.

Material Specifications

No.	Part	Material
1	Body	Brass - CW602N
2	End Connection	Brass - CW602N
3	Ball	T.E.A. Coated Brass - CW617N
4	Seat (2)	Hostaflo® TFM 1600
5	Stem	Brass - CW602N
6	Packing	Hostaflo® TFM 1600
7	Stem O-ring (2)	Viton®
8	Packing Gland	Brass - CW602N
9	Handle	Steel - Geomet® Plated
10	Handle Nut	Steel - Geomet® Plated
11	O-ring (2)	EPDM

Dimensions

Part No.	Size	A	B	C	D	E	Cv
H100-203	1/2"	3.54	1.53	2.95	0.59	1.24	16.82
H100-204	3/4"	3.84	1.95	3.74	0.79	1.28	34.80
H100-205	1"	4.31	2.40	4.75	0.97	1.38	52.20
H100-206	1-1/4"	4.80	2.59	4.75	1.23	1.30	112.52
H100-207	1-1/2"	5.61	3.22	6.00	1.49	1.50	174.00
H100-208	2"	7.16	3.40	6.00	1.99	2.01	255.20

LIT-HCI-TS-103018

Brass Ball Valve

2 Piece • Full Port • Male x Female Threaded Connection • 600 WOG



CRN# 0C16887.5469870YTN

H100MF

Features

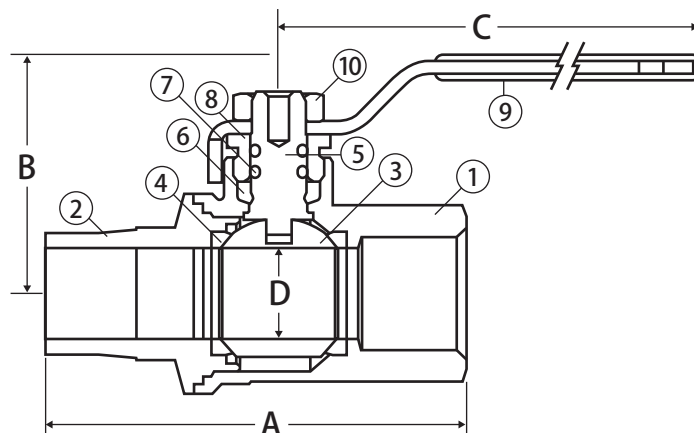
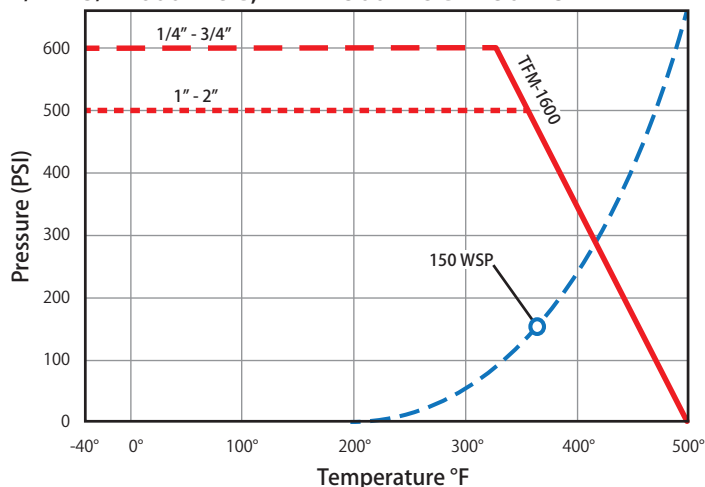
- Blow-out proof stem
- Triple sealing stem with 2 Viton® o-rings and Teflon® seal
- 100% leak tested
- 100% Made in Italy
- Leakproof stem - Lifetime Warranty
- 29 in-Hg vacuum rating

Approvals

- CSA Certified (1/4" - 1")
 - ASME B16.33 (125 PSIG)
 - CGA 3.16 (125 PSIG)
- MSS SP-110
- ANSI B1.20.1

Valve Seat Rating

1/4" - 3/4" 600 WOG, 1" - 2" 500 WOG - 150 WSP



Material Specifications

No.	Part	Material
1	Body	Brass - CW617N
2	End Connection	Brass - CW617N
3	Ball	Chrome Plated Brass - CW617N
4	Seat (2)	Hostaflon® TFM 1600
5	Stem	Brass - CW614N
6	Packing	Hostaflon® TFM 1600
7	Stem O-ring (2)	Viton®
8	Packing Gland	Brass - CW614N
9	Handle	Steel - Geomet® Plated
10	Handle Nut	Steel - Geomet® Plated

Dimensions

Part No.	Size	A	B	C	D	Cv
H100-601	1/4"	2.29	1.41	2.95	0.39	7.66
H100-602	3/8"	2.26	1.41	2.95	0.39	7.77
H100-603	1/2"	2.75	1.53	2.95	0.59	16.82
H100-604	3/4"	3.10	1.95	3.74	0.79	34.80
H100-605	1"	3.68	2.40	4.75	0.97	52.20



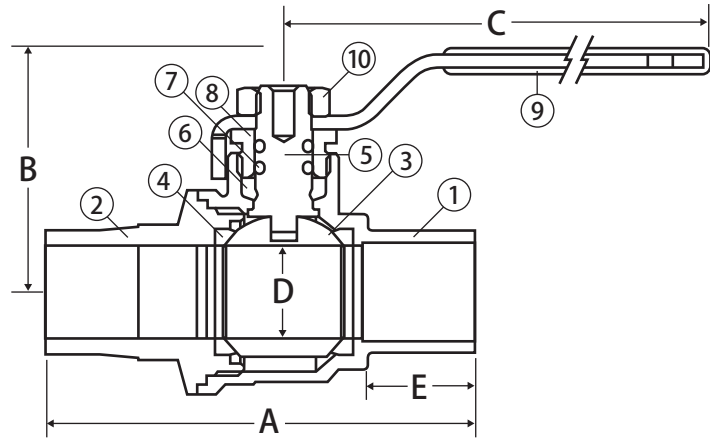
WARNING: This product can expose you to chemicals including lead, which is known to the State of California to cause cancer, and lead, which is known to the State of California to cause birth defects or other reproductive harm. For more information go to www.P65Warnings.ca.gov.

Brass Ball Valve

2 Piece • Full Port • Male x Solder Connection • 600 WOG



H100MS



Features

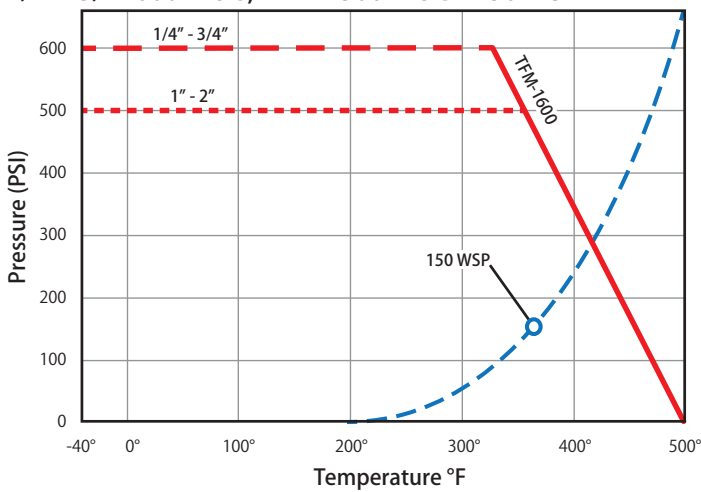
- Blow-out proof stem
- Triple sealing stem with 2 Viton® o-rings and Teflon® seal
- 100% leak tested
- 100% Made in Italy
- Leakproof stem - Lifetime Warranty
- 29 in-Hg vacuum rating

Approvals

- MSS SP-110
- ANSI B1.20.1
- ASME/ANSI B16.18

Valve Seat Rating

1/4" - 3/4" 600 WOG, 1" - 2" 500 WOG - 150 WSP



Material Specifications

No.	Part	Material
1	Body	Brass - CW617N
2	End Connection	Brass - CW617N
3	Ball	Chrome Plated Brass - CW617N
4	Seat (2)	Hostaflon® TFM 1600
5	Stem	Brass - CW614N
6	Packing	Hostaflon® TFM 1600
7	Stem O-ring (2)	Viton®
8	Packing Gland	Brass - CW614N
9	Handle	Steel - Geomet® Plated
10	Handle Nut	Steel - Geomet® Plated

Dimensions

Part No.	Size	A	B	C	D	E	Cv
H100-613	1/2"	2.76	1.53	2.95	0.59	0.51	16.82
H100-614	3/4"	3.37	1.95	3.74	0.79	0.76	34.80
H100-615	1"	4.02	2.40	4.75	0.97	0.92	52.20

WARNING: This product can expose you to chemicals including lead, which is known to the State of California to cause cancer, and lead, which is known to the State of California to cause birth defects or other reproductive harm. For more information go to www.P65Warnings.ca.gov.

LIT-HCI-TS 103018

Butterfly Valve

Lug Style • EPDM Seats • Epoxy-Coated Ductile Iron Body



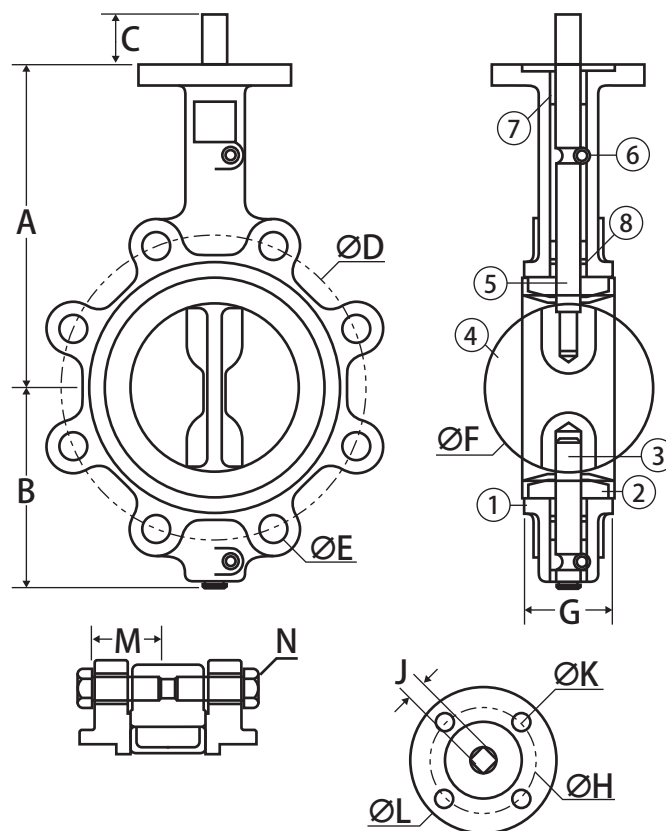
Terminator BFV

Features

- Designed for commercial and industrial applications up to 200 PSI
- Easily accepts actuator with ISO 5211 mounting flange
- Seat to flange seal eliminates the need for flange gaskets
- Series 600 Lug bodies are bidirectional for dead end service
- Epoxy coated finish
- Ideal for mounting pneumatic/electrical actuators
- Square stem for direct mount
- Wetted surfaces contain less than .25% lead content

Approvals

- API 609
- MSS SP-67



Seat Temperature Ranges

	EPDM
Temperature range (°F)	-30 to 250
Inline service (psi)	200
Dead end service w/down stream flange (psi)	200
Dead end service w/o down stream flange (psi)	100

Material Specifications

No.	Part	Materials
1	Body	Ductile Iron - Epoxy Coated
2	Seat	EPDM
3	Lower Shaft	410 Stainless Steel
4	Disc	CF8M Stainless Steel
5	Upper Shaft	410 Stainless Steel
6	Locating Pin (2)	Carbon Steel
7	Bushing (3)	PTFE
8	O-ring (2)	EPDM

Dimensions

Part No.	Size	A	B	C	D	E	F	G	H	J	K	L	M	N	Weight
BF-GLL	2-1/2"	6.89	3.5	1.26	5.5	4 : 5/8"	2.54	1.76	1.97	0.35	04:00.3	3.03	1.5	5/8-11UNC	9.26
BF-HLL	3"	7.13	3.74	1.26	6	4 : 5/8"	3.1	1.78	1.97	0.35	04:00.3	3.03	1.5	5/8-11UNC	10.36
BF-ILL	4"	7.87	4.49	1.26	7.5	8 : 5/8"	4.09	2.05	2.76	0.43	04:00.3	3.54	1.75	5/8-11UNC	19.84
BF-JLL	6"	8.9	5.47	1.26	9.51	8 : 3/4"	6.13	2.2	2.76	0.55	04:00.3	3.54	2	3/4-10UNC	31.31
BF-KLL	8"	10.24	6.89	1.61	11.75	8 : 3/4"	7.97	2.39	4.02	0.67	04:00.5	4.92	2	3/4-10UNC	40.12
BF-LLL	10"	11.5	7.99	1.61	14.25	12 : 7/8"	9.86	2.58	4.02	0.87	04:00.5	4.92	2.25	7/8-9UNC	59.08
BF-MLL	12"	13.27	9.53	1.61	17.01	12 : 7/8"	11.87	3.03	4.02	0.87	04:00.5	5.51	2.5	7/8-9UNC	88.18

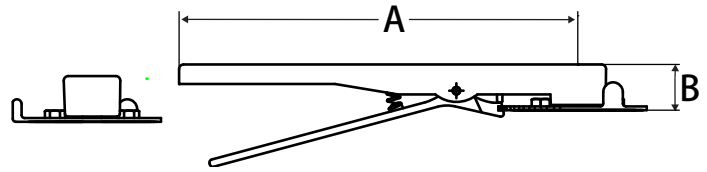
Butterfly Valve Handle

Ten-position Lockable Lever Handle



Terminator BFV Lever Handle

Comes standard with terminator BFV



Dimensions

Part No.	Size	A	B	C
BLH2-3	2-1/2" - 3"	2.00	1.26	10.64
BLH4	4"	2.00	1.26	10.64
BLH5-6	5" - 6"	2.00	1.26	10.64
BLH8	8"	4.30	1.77	14.18
BLH10	10"	5.84	1.77	19.7
BLH12	12"	5.8	1.77	19.7

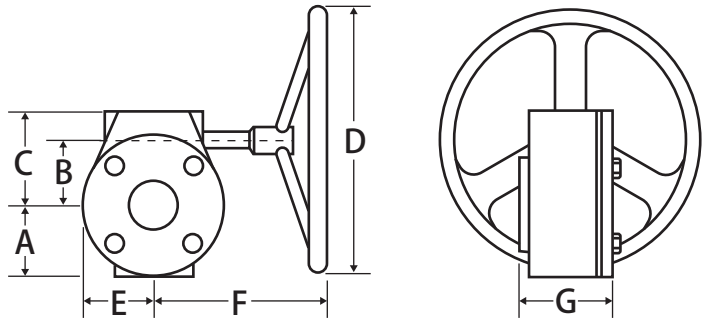
WARNING: This product can expose you to chemicals including lead, which is known to the State of California to cause birth defects or other reproductive harm. For more information go to www.P65Warnings.ca.gov.

Butterfly Valve Handle

Butterfly Gear Operator



Terminator BFV Gear Operator



Dimensions

Part No.	Size	A	B	C	D	E	F	G
2-14"								
BGO2-3	2-1/2" -3"	2.05	1.77	2.92	5.91	2.05	6.00	2.96
BGO4	4"	2.05	1.77	2.92	5.91	2.05	6.00	2.96
BGO5-6	5" - 6"	2.05	1.77	2.92	5.91	2.05	6.00	2.96
BGO8	8"	2.96	2.47	3.98	11.82	2.96	9.85	3.39
BGO10	10"	2.96	2.47	3.98	11.82	2.96	9.85	3.39
BGO12-14	12"-14"	3.19	3.15	4.65	11.82	3.19	8.94	3.27

WARNING: This product can expose you to chemicals including lead, which is known to the State of California to cause birth defects or other reproductive harm. For more information go to www.P65Warnings.ca.gov.

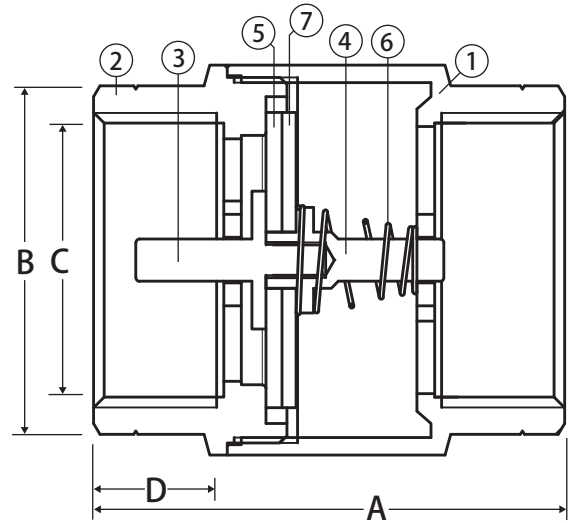
LIT-HCI-TS 103018

Lead Free Brass Inline Check Valve

Threaded Connection • 300 WOG • Class 150



T-521G



Features

- Forged Lead Free Brass Body
- Bubble tight Teflon seal
- Wetted surfaces contain less than .25% lead content

Approvals

- Lead Free Compliant
- ANSI B1.20.1

Pressure/Temperature Rating

- 300WOG
- Max. 250°F

Install 5 pipe diameter minimum downstream from pump discharge or changes in direction to avoid flow turbulence. Flow straighteners may be required in extreme cases.

Note: On pump discharge, the preferred check valves are: inline, spring assisted, center-guided, lift checks.

Jomar Check Valves may be installed in both horizontal and vertical lines with upward flow or in an intermediate position. They will operate satisfactory in a declining plane (no more than 15°).

Warning: Do Not Use For Reciprocating Air Compressor Service



WARNING: This product can expose you to chemicals including lead, which is known to the State of California to cause cancer, and lead, which is known to the State of California to cause birth defects or other reproductive harm. For more information go to www.P65Warnings.ca.gov.

Material Specifications

No.	Part	Materials
1	Body	Lead Free Brass
2	Tailpiece	Lead Free Brass
3	Disc Holder 1	Lead Free Brass
4	Disc Holder 2	Lead Free Brass
5	Disc	PTFE
6	Spring	304 Stainless Steel

Dimensions

Part No.	Size	A	B	C	D
105-603G	1/2"	1.28	1.91	0.50	0.49
105-604G	3/4"	1.54	2.06	0.75	0.59
105-605G	1"	1.77	2.30	1.00	0.59
105-606G	1-1/4"	2.17	2.64	1.25	0.73
105-607G	1-1/2"	2.34	2.74	1.50	0.71
105-608G	2"	3.15	3.31	2.00	0.83

Brass Mini Ball Valve

2 Piece • Full Port • Threaded Connection • Mini Valves • 600 WOG

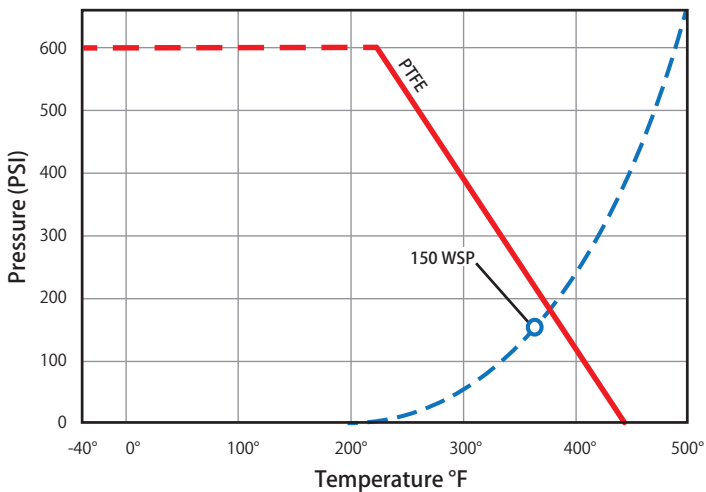


T-83C

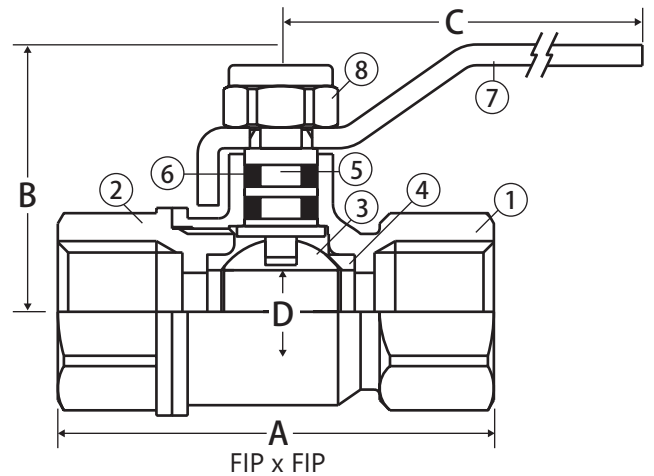
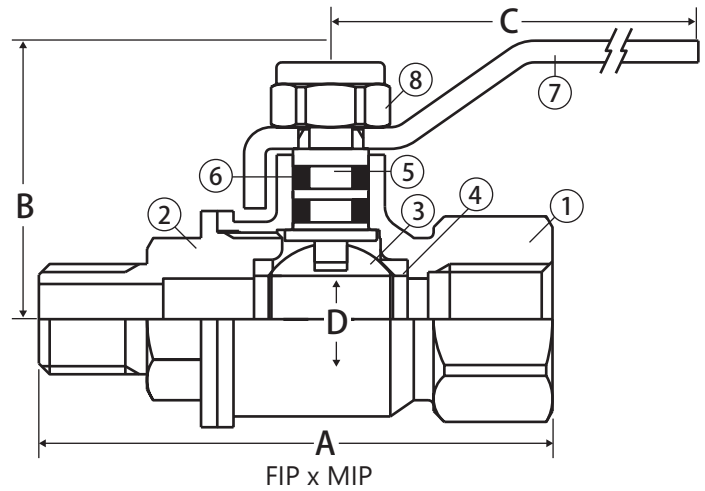
Features

- Large raised wrench flats
- 2 Buna-N o-rings
- 100% leak tested

Valve Seat Rating 600 WOG - 150 WSP



WARNING: This product can expose you to chemicals including lead, which is known to the State of California to cause cancer, and lead, which is known to the State of California to cause birth defects or other reproductive harm. For more information go to www.P65Warnings.ca.gov.



Material Specifications

No.	Part	Materials
1	Body	Brass - C37700
2	End Connection	Brass - C37700
3	Ball	Chrome Plated Brass - C37700
4	Seat (2)	PTFE
5	Stem	Brass - C37700
6	Stem O-ring (2)	Buna-N
7	Handle*	Steel - Chrome Plated or Aluminum
8	Handle Nut / Screw*	Steel - Chrome Plated

*Material depends on handle selection

Dimensions

Part No.	Size	A	B	C	D
H100-398	1/4" FIP x 1/8" MIP	1.93	1.07	1.77	0.28
H100-399	1/4" FIP x 1/4" MIP	2.01	1.07	1.77	0.28
H100-400	1/4" FIP x 1/4" FIP	1.65	1.07	1.77	0.28

LIT-HCI-TS-103018

Pressure Drop Chart

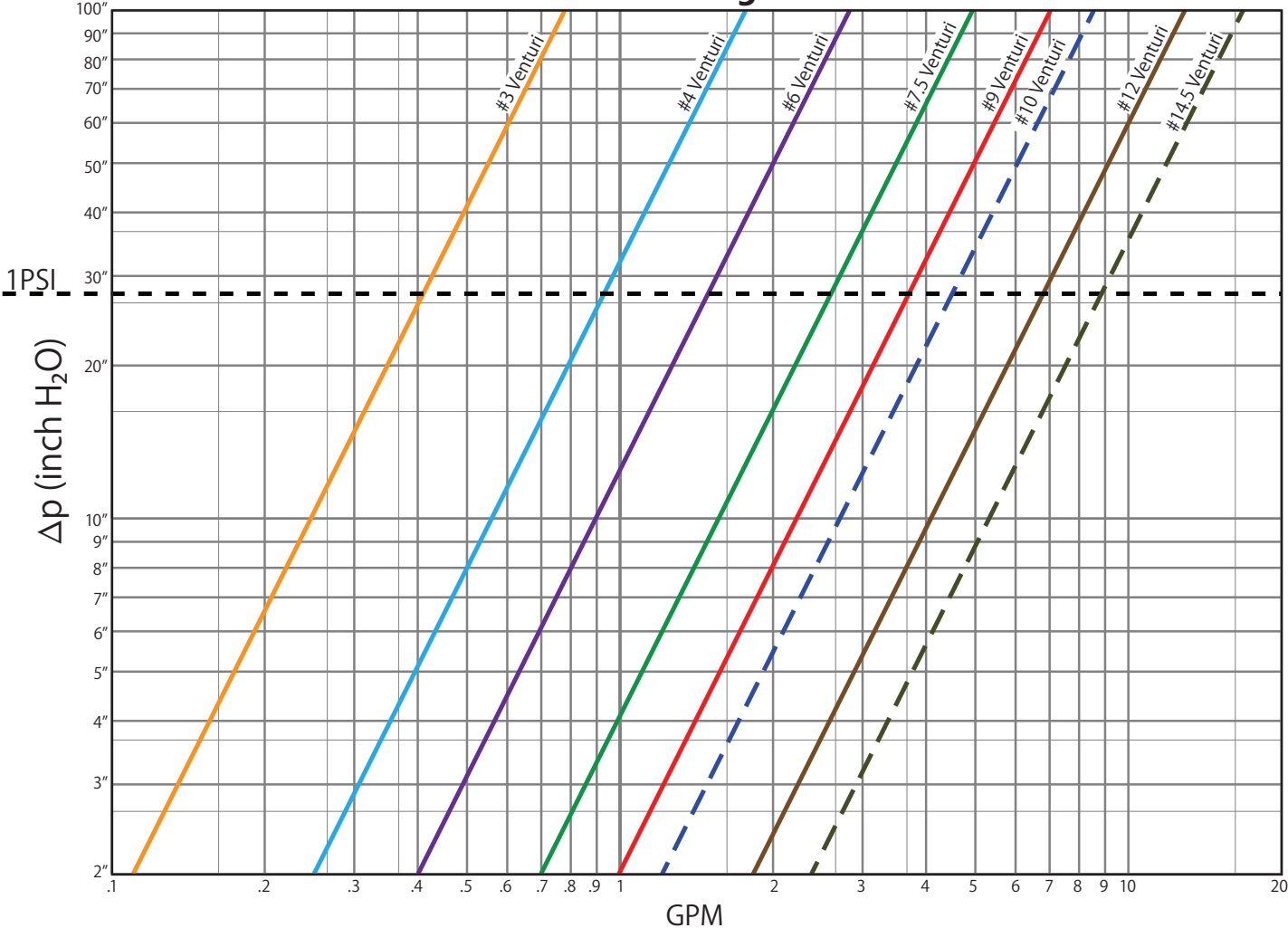
Terminator B (1/2" - 1")



CV of Valves

- 1/2" & 3/4" w/ #3 Venturi: **0.44**
- 1/2" & 3/4" w/ #4 Venturi: **1.30**
- 1/2" & 3/4" w/ #6 Venturi: **2.65**
- 1/2" & 3/4" w/ #7.5 Venturi: **3.61**
- 1/2" & 3/4" w/ #9 Venturi: **7.05**
- 1/2" & 3/4" w/ #12 Venturi: **11.40**
- 1" w/ #10 Venturi: **7.05**
- 1" w/ #14.5 Venturi: **17.6**

Venturi Signal



Pressure Drop Chart

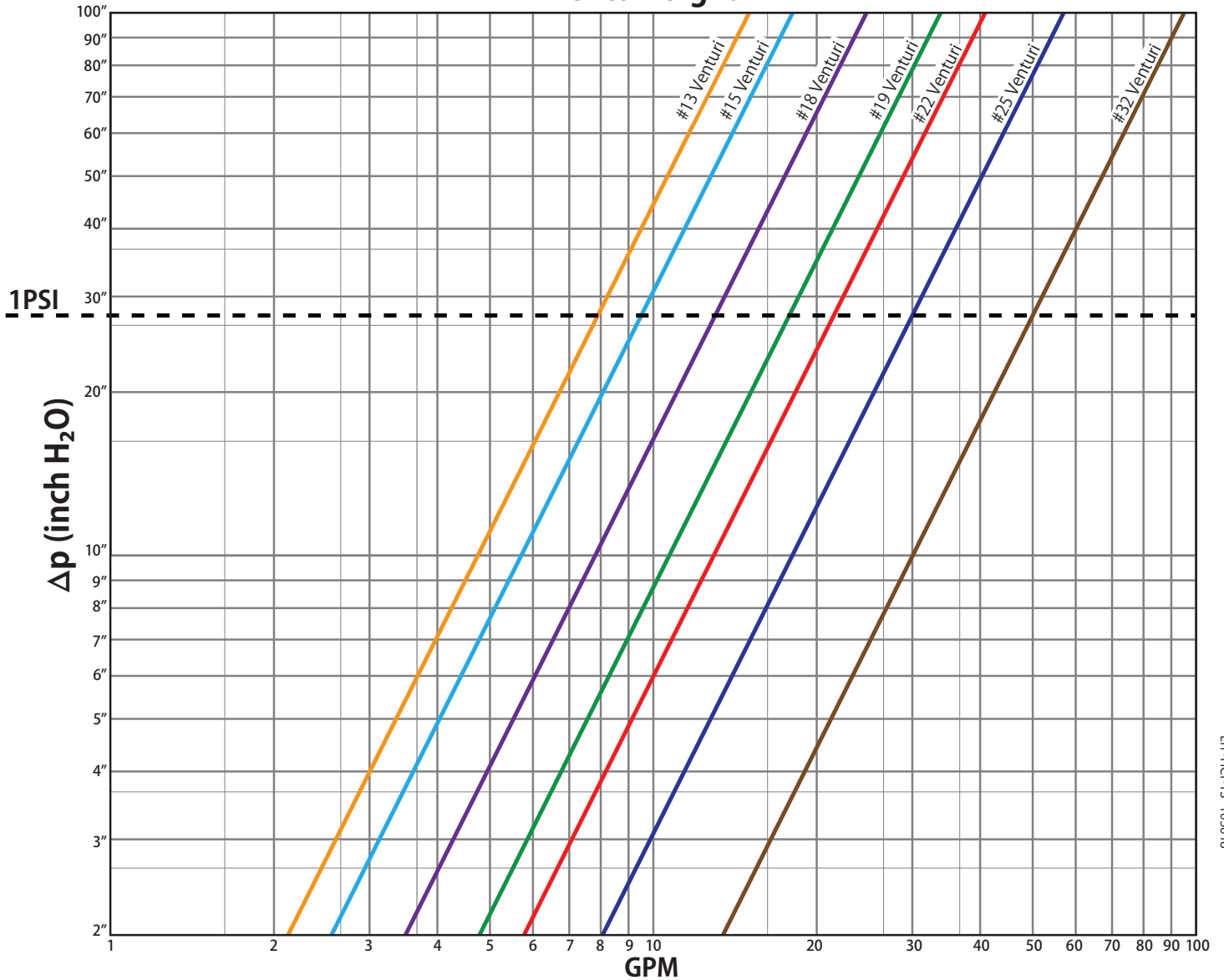
Terminator B (1-1/4" - 2")

CV of Valves

- 1-1/4" w/ #13 Venturi: **15.0**
- 1-1/4" w/ #19 Venturi: **34.0**
- 1-1/2" w/ #15 Venturi: **20.9**
- 1-1/2" w/ #22 Venturi: **57.0**
- 2" w/ #18 Venturi: **30.8**
- 2" w/ #25 Venturi: **57.0**
- 2" w/ #32 Venturi: **88.0**



Venturi Signal



LIT-HCI-TS-103018

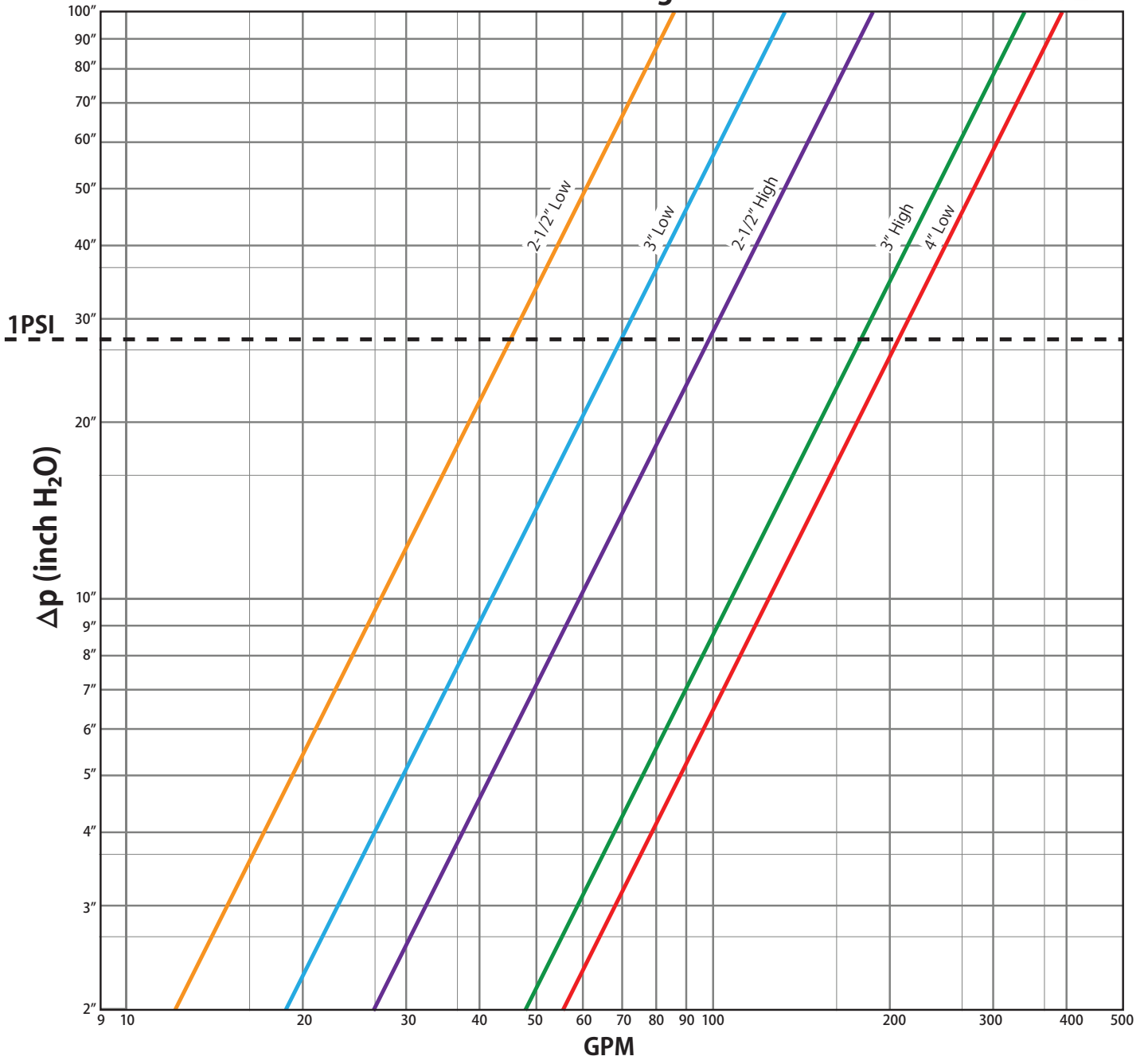
Pressure Drop Chart

Terminator B & MS (2-1/2" - 4")



Permanent pressure loss is 6% of the differential pressure

Venturi Signal

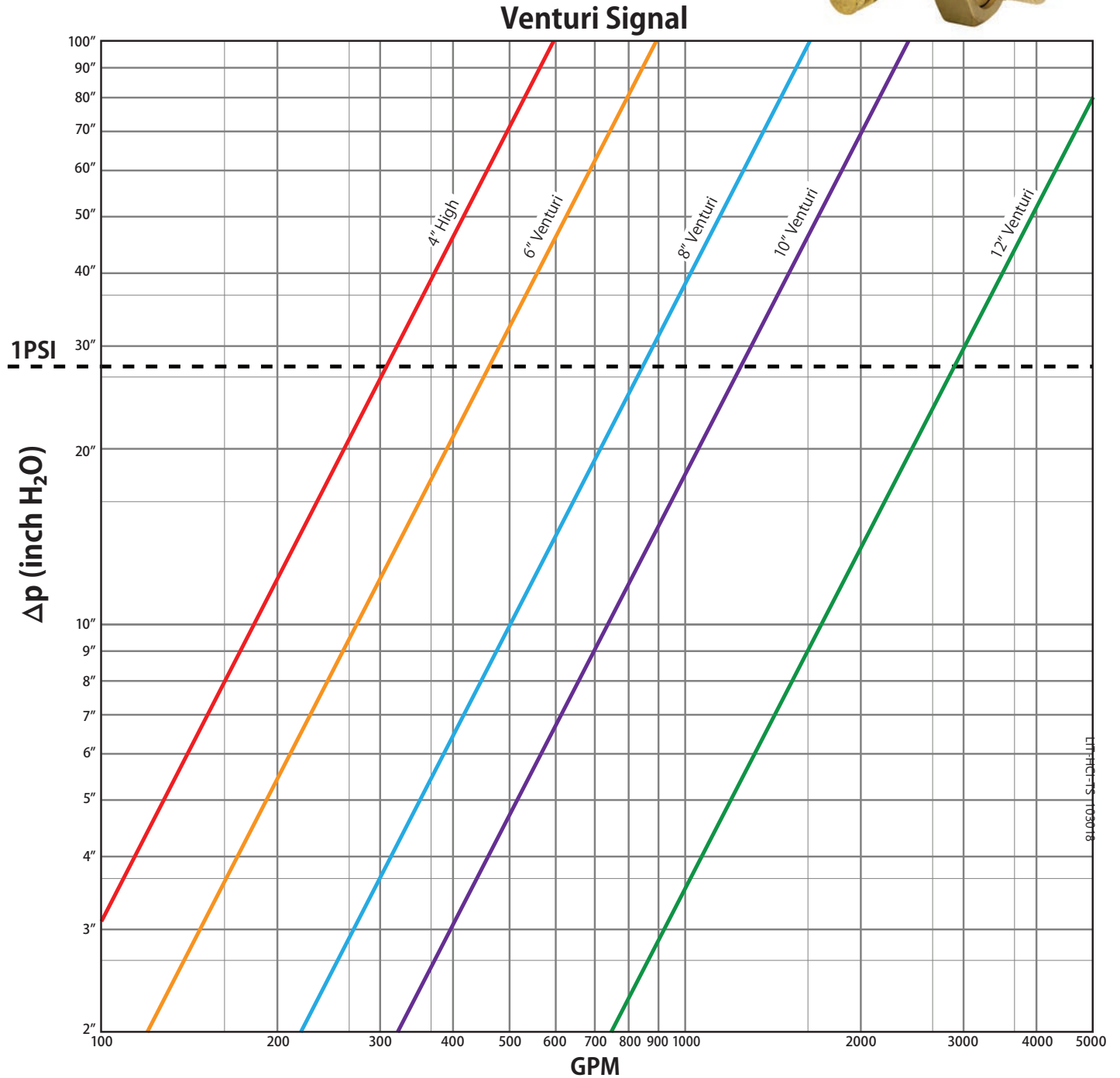


Pressure Drop Chart

Terminator B & MS (6" - 12")



Permanent pressure loss is 6% of the differential pressure



Pressure Drop Chart

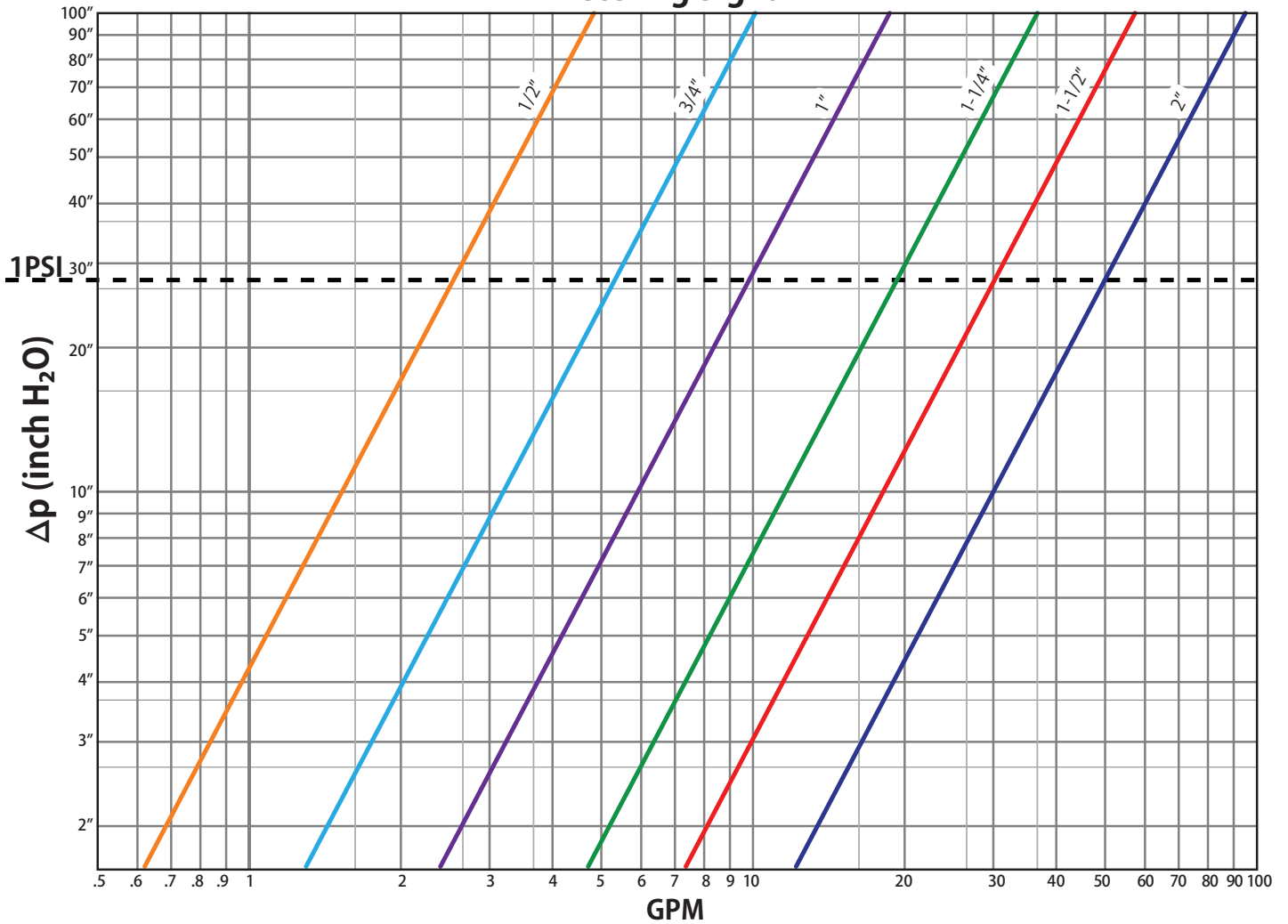
Terminator G (1/2" - 1")

CV of Valves

- 1/2" : 1.99
- 3/4" : 3.43
- 1" : 5.49
- 1-1/4" : 11.85
- 1-1/2" : 19.46
- 2" : 31.51



Metering Signal



Pressure Drop Chart

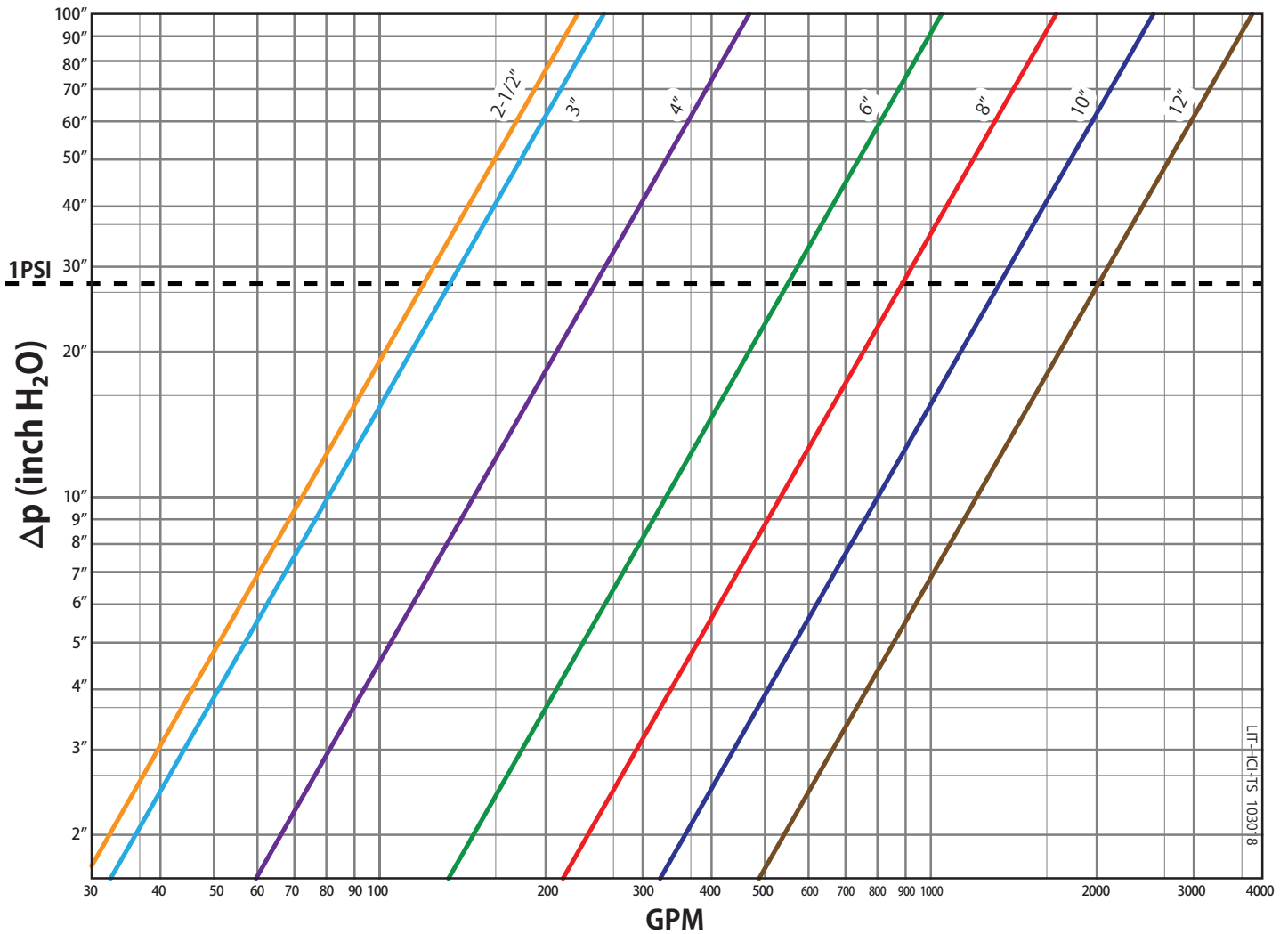
Terminator G (2-1/2" - 12")

CV of Valves

2-1/2"	: 120.22
3"	: 134.10
4"	: 246.23
6"	: 550.26
8"	: 887.81
10"	: 1332.87
12"	: 2014.91



Metering Signal



GPM Ordering Guide

Select a size and GPM, this will determine the cartridge type

TA-CFM-L-XV 2.0

Desired GPM

1/2"

2 - 32 PSI	5 - 60 PSI
C1-L	C1-H
0.33	4.0
0.5	5.0
0.75	
1.0	
1.5	
2.0	
2.5	
3.0	

3/4" and 1"

2 - 32 PSI	5 - 60 PSI
C2-L	C2-H
1.0	9.0
2.0	10.0
3.0	11.0
3.5	12.0
4.0	
4.5	
5.0	
6.0	
7.0	
8.0	

1-1/4" and 1-1/2"

2 - 32 PSI	5 - 60 PSI
C3-L	C3-H
9.0	20.0
10.0	22.0
11.0	24.0
12.0	26.0
13.0	
14.0	
15.0	
16.0	
18.0	

2"

2 - 32 PSI	5 - 60 PSI
C4-L	C4-H
20.0	52.0
24.0	58.0
28.0	64.0
32.0	70.0
36.0	
40.0	
44.0	
48.0	

Note: Custom Flow rates and pressure ranges available, please contact HCI for more information

Hci

Hydronic Components Inc.



7243 Miller Drive • Warren, MI 48092
phone: (586) 268-1640 • fax: (586) 979-8318
www.hciterminator.com