

GENERAL INFORMATION, INSTALLATION AND OPERATION SPECIFICATIONS

1.0 GENERAL REQUIREMENTS

- 1.1 Provide and install BoilerMag in accordance with manual specifications
- 1.2 All work is to be performed in neat workmanship like manner compliant with all local code authorities
- 1.3 BoilerMag is to be used in smaller premises where build-up of ferrous oxide and scale in central heating systems is prevalent

2.0 PRODUCT DATA

PERFORMANCE

Magnetic performance	4,000 Gauss
	Patented Micromag style core
Volume	0.13 gal (500 ml)
Pressure	43 psi (3 Bar) operating pressure
Flow rate	14 gpm (3 m ³ /h)
Collection Capacity	0.9 lbs (400 g)
Temperature	212°F (100°C)

MATERIALS/CONSTRUCTION

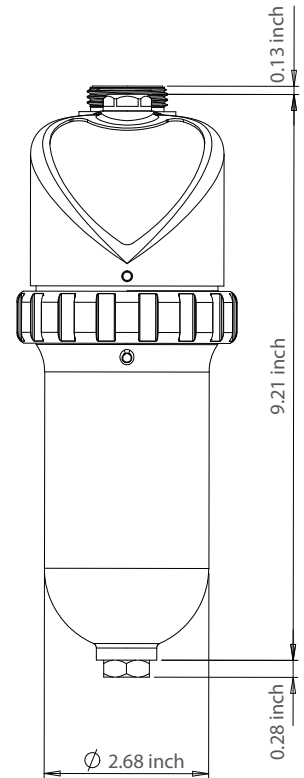
Construction material	Polyamide 66 (Nylon 66) product filled with 25% glass fiber
Magnet material	Rare Earth Neodymium Iron Boron
Mesh filter	0.5mm, quick release mesh (for cleaning)
Valves	1" NPT (1.25" NPT adaptors included in kit)

INCLUDES

Additional Automatic Air Vent that has been packaged along with unit separately.
The auto-vent will automatically release the trapped air maintaining heating efficiency

WARRANTY

Industry leading 3 years

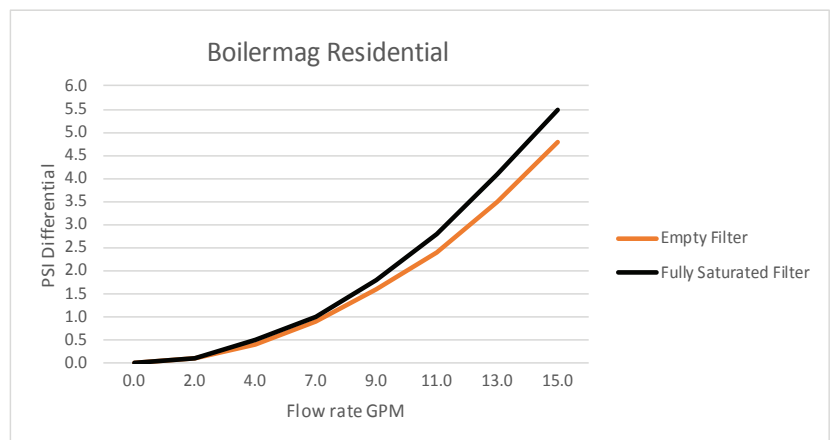


3.0 INSTALLATION

- 3.1 BoilerMag is typically installed after the radiator, prior to the boiler return
- 3.2 BoilerMag can be installed on any angle of pipework
- 3.3 Everything you need to fit and service BoilerMag is contained in a simple retail friendly off-the-shelf package

4.0 PRESSURE DROP DATA

BOILERMAG RESIDENTIAL		
FLOW RATE	EMPTY FILTER Pressure Differential	FULLY SATURATED FILTER Pressure Differential
gpm	psi	psi
0	0	0
2	0.1	0.1
4	0.4	0.5
7	0.9	1.0
9	1.6	1.8
11	2.4	2.8
13	3.5	4.1
15	4.8	5.5



***GAUSS: The gauss is the unit of measurement of magnetic flux density