



Bell & Gossett

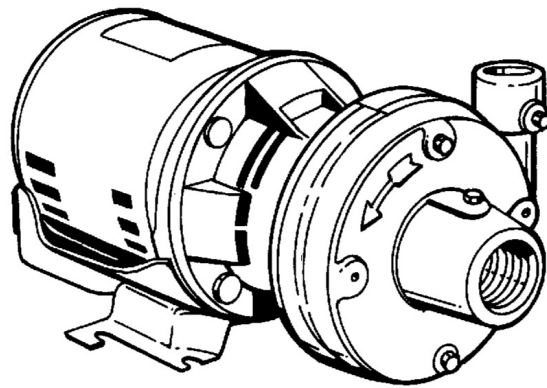
a xylem brand

CURVES

B-350C

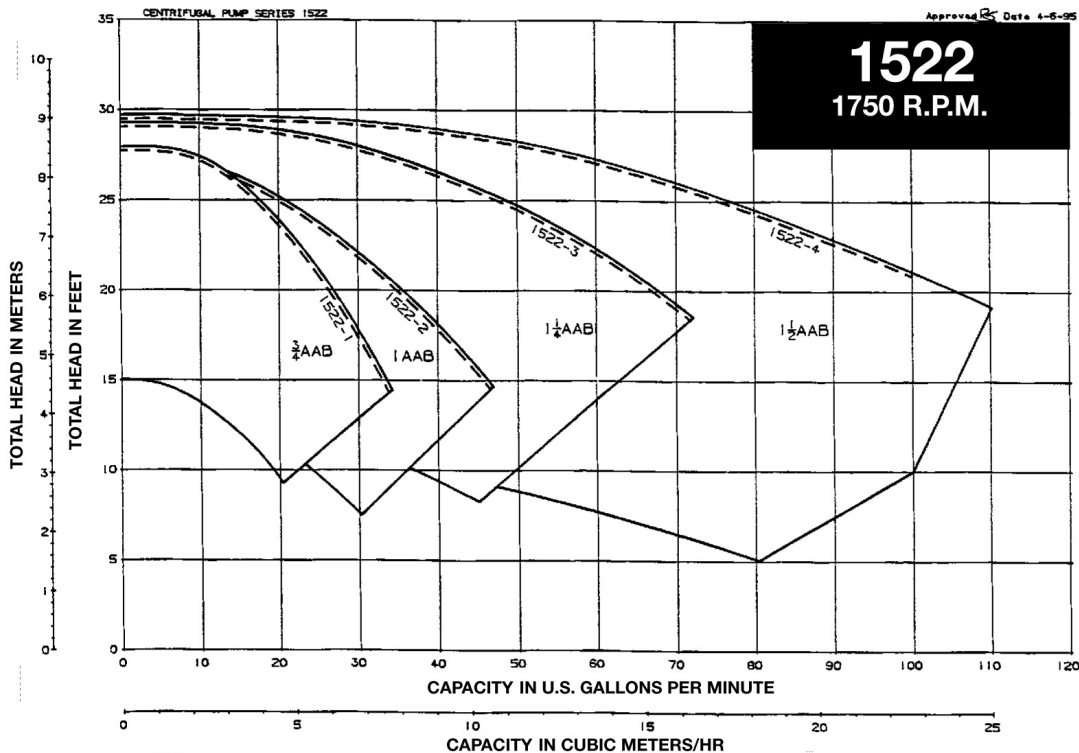
SERIES 1522

CLOSE-COUPLED CENTRIFUGAL PUMPS FOR 60 CYCLE -
1750 RPM MOTOR OPERATION



PERFORMANCE CURVE CHART

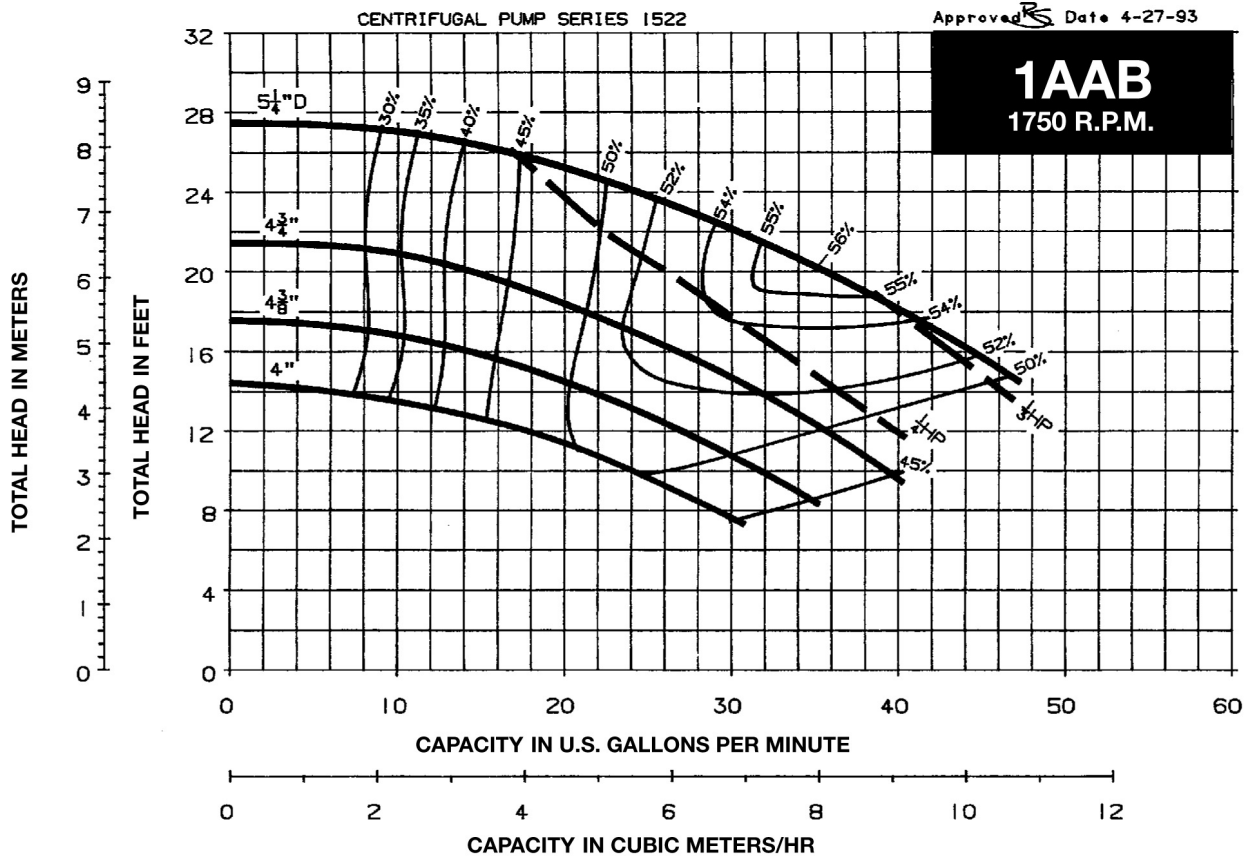
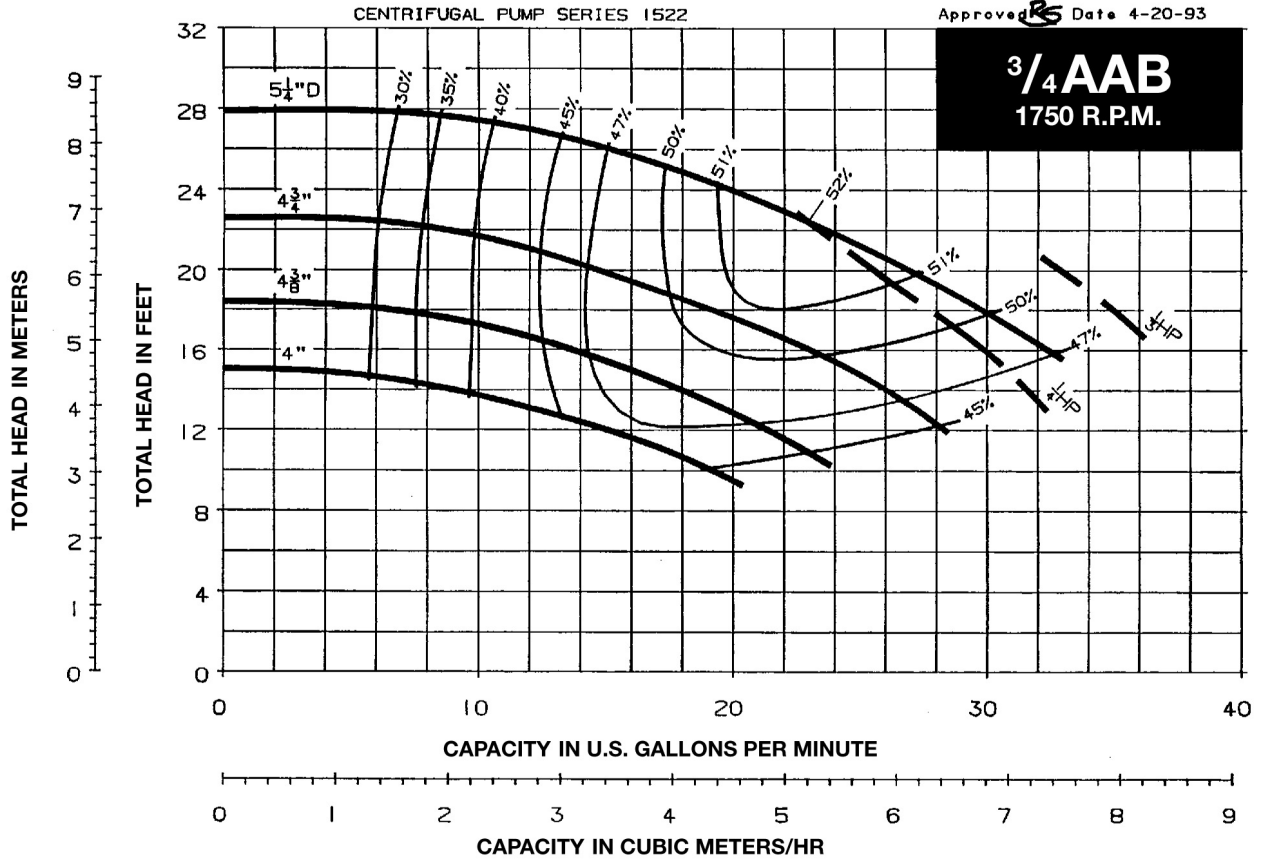
NOTE: Dotted lines represent sizes available from stock.



SERIES 1522

SERIES 1522 PUMP PERFORMANCE CURVES

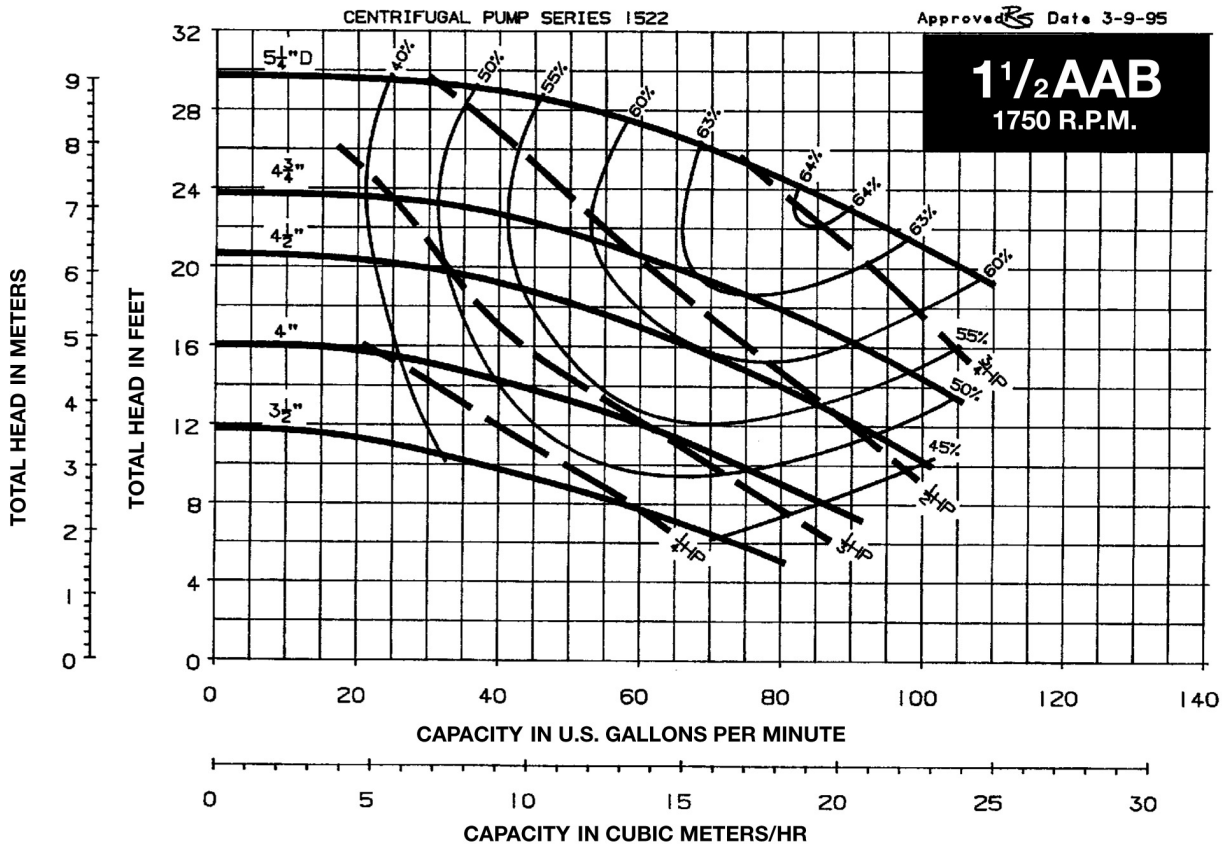
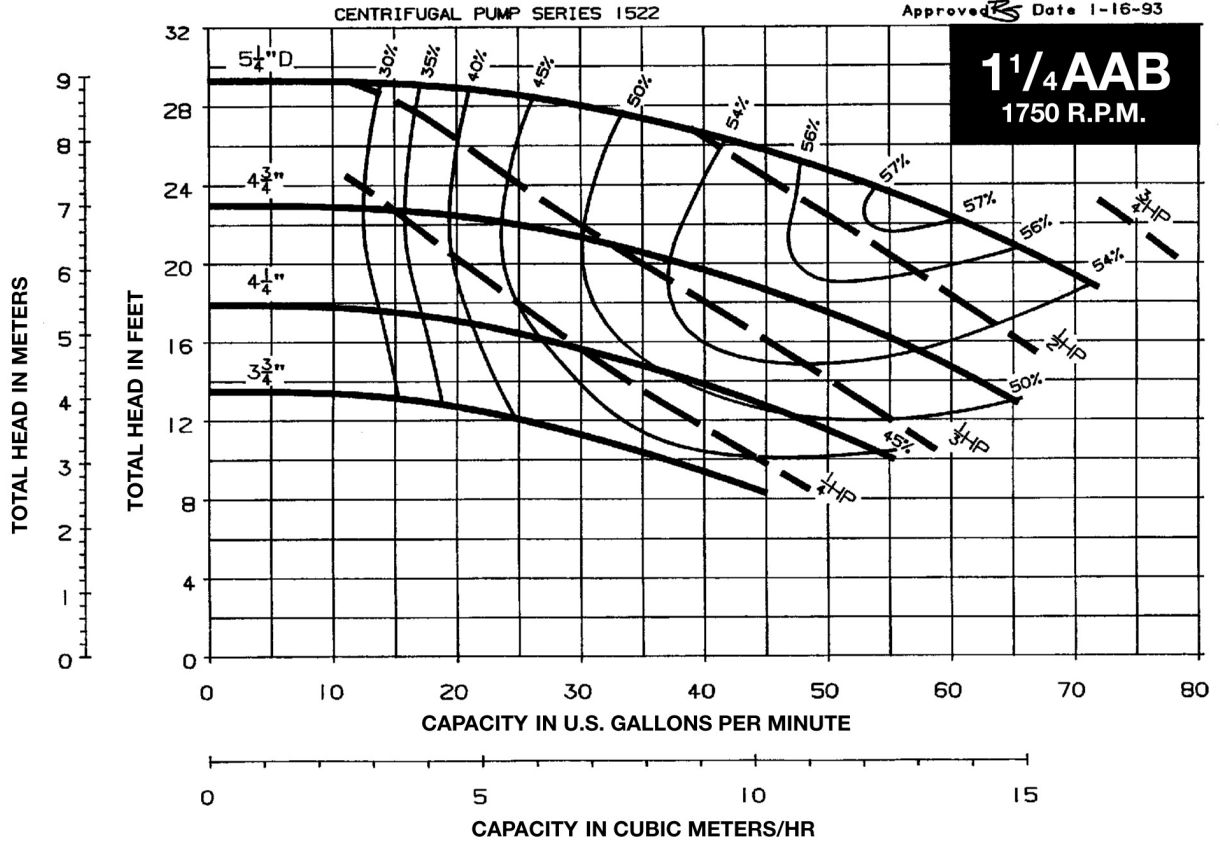
NOTE: Dotted lines represent sizes available from stock.



SERIES 1522

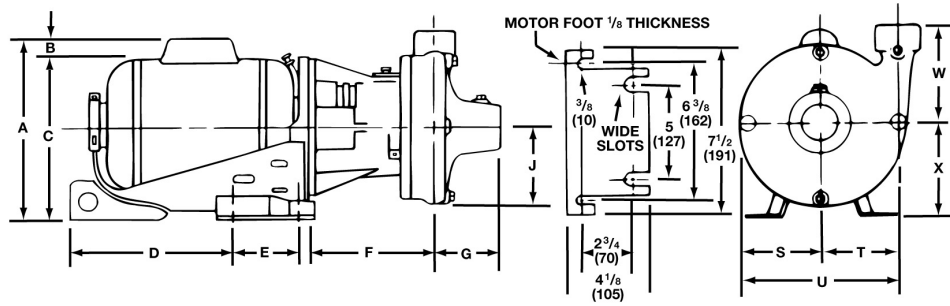
SERIES 1522 PUMP PERFORMANCE CURVES

NOTE: Dotted lines represent sizes available from stock.



Dimensions

BUILT TO ORDER PUMPS

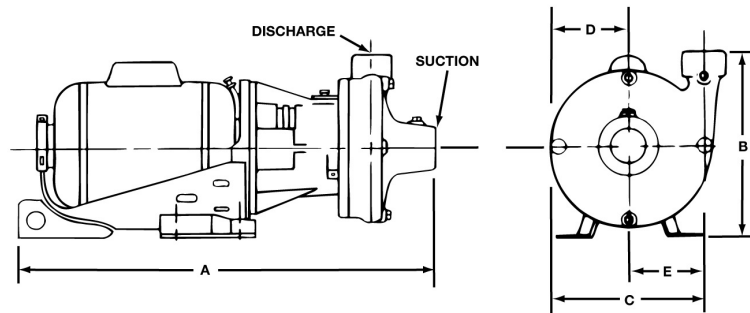


PUMP DIMENSIONS (MM)								
DISCHARGE	SUCTION	F	G	J	S	T	U	W
3/4 AAB	1 1/4	5 7/8 (149)	3 3/16 (81)	3 13/32 (87)	3 7/16 (87)	3 (76)	6 7/16 (164)	3 1/2 (89)
1 AAB	1 1/4	5 7/8 (149)	2 15/16 (75)	3 3/4 (95)	3 5/8 (92)	3 3/8 (86)	7 (178)	4 1/2 (114)
1 1/4 AAB	1 1/2	6 (152)	3 1/16 (78)	3 7/8 (98)	3 11/16 (94)	3 5/16 (84)	7 (178)	4 3/8 (111)
1 1/2 AAB	2	6 1/8 (156)	2 15/16 (75)	4 (102)	3 11/16 (94)	3 3/8 (86)	7 1/16 (179)	5 3/16 (132)

MOTOR DIMENSIONS — 1750 RPM (MM)								
H.P.	RPM	PHASE	A	B	C	D	E	X
1/4	1750	1	7 1/2 (191)	—	7 1/2 (191)	6 3/8 (162)	1 9/16 (21)	4 3/8 (111)
1/4	1750	3	7 1/2 (191)	—	7 1/2 (191)	6 1/8 (156)	1 9/16 (21)	4 3/8 (111)
1/3	1750	1	9 9/16 (243)	2 1/16 (52)	7 1/2 (191)	6 3/8 (162)	1 9/16 (21)	4 3/8 (111)
1/3	1750	3	7 1/2 (191)	—	7 1/2 (191)	7 3/8 (187)	1 9/16 (21)	4 3/8 (111)
1/2	1750	1	9 9/16 (243)	2 1/16 (52)	7 1/2 (191)	7 3/8 (187)	1 9/16 (21)	4 3/8 (111)
1/2	1750	3	7 1/2 (191)	—	7 1/2 (191)	7 3/8 (187)	1 9/16 (21)	4 3/8 (111)
3/4	1750	1	9 9/16 (243)	2 1/16 (52)	7 1/2 (191)	7 3/8 (187)	1 9/16 (21)	4 3/8 (111)
3/4	1750	3	7 1/2 (191)	—	7 1/2 (191)	7 7/8 (200)	1 9/16 (21)	4 3/8 (111)

Not to be used for construction purposes unless certified.

STOCK PUMPS



UNIT NO.	SUCTION SIZE INCHES NPT	DISCHARGE SIZE INCHES NPT	MOTOR SIZE		APPROXIMATE DIMENSIONS IN INCHES (MM) NOT TO BE USED FOR INSTALLATION				
			H.P.	SPEED RPM	A	B	C	D	E
1	1 1/4	3/4 AAB	1/4	1750	19 (483)	7 7/8 (200)	7 1/4 (184)	3 7/16 (87)	3 13/16 (91)
2	1 1/4	1 AAB	1/3	1750	19 3/4 (502)	8 7/8 (225)	8 (203)	3 5/8 (219)	4 3/8 (111)
3	1 1/2	1 1/4 AAB	1/2	1750	20 (508)	8 3/4 (222)	8 3/16 (208)	3 11/16 (94)	4 1/2 (114)
4	2	1 1/2 AAB	3/4	1750	20 1/2 (521)	9 9/16 (243)	8 3/8 (213)	3 11/16 (94)	4 11/16 (119)

For further information, contact ITT Bell & Gossett, 8200 N. Austin Avenue, Morton Grove, IL 60053, Phone (847) 966-3700 – Facsimile (847) 966-8366.

Xylem Inc.

8200 N. Austin Avenue, Morton Grove, Illinois 60053

Phone: (847) 966-3700 Fax: (847) 965-8379

www.xylem.com/brands/bellgossett



Bell & Gossett

a xylem brand