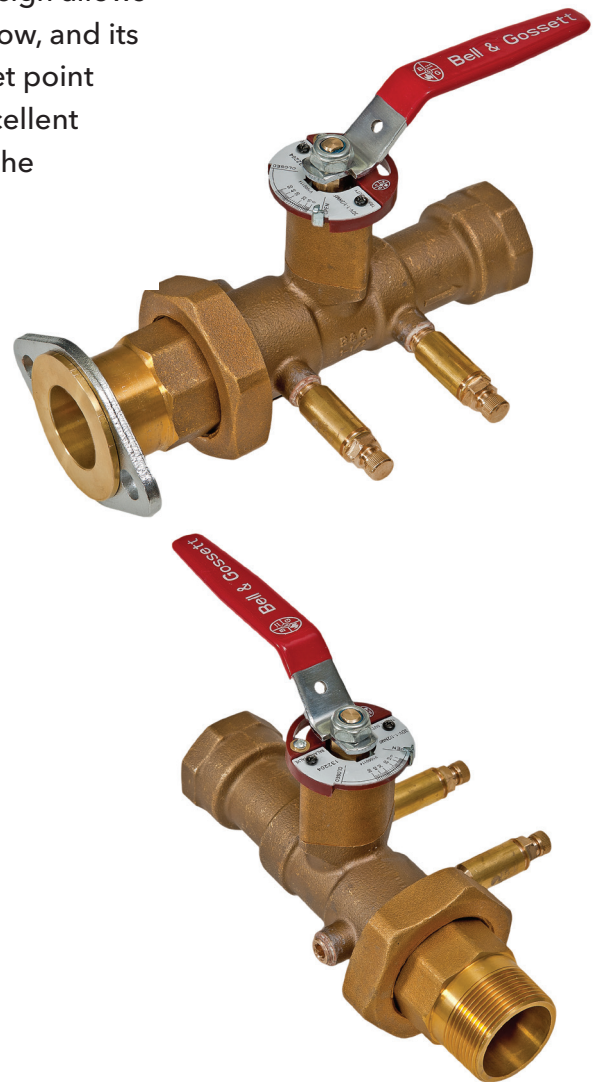


# Triple Duty<sup>®</sup> Valve

Three valves in one.

The Bell & Gossett Model 3DV Triple Duty Valve is three valves in one: a calibrated balance valve, a check valve, and an isolation/ shut-off valve, providing all of the functions normally required on the discharge side of a pump in most HVAC systems. Its calibrated ball design allows you to accurately balance your system and throttle excess flow, and its memory stop provides the ability to return the valve to its set point after shut-off. In addition, its flow characteristic provides excellent system control. With its range of sizes and connections, it's the perfect compliment for your pump and system needs.

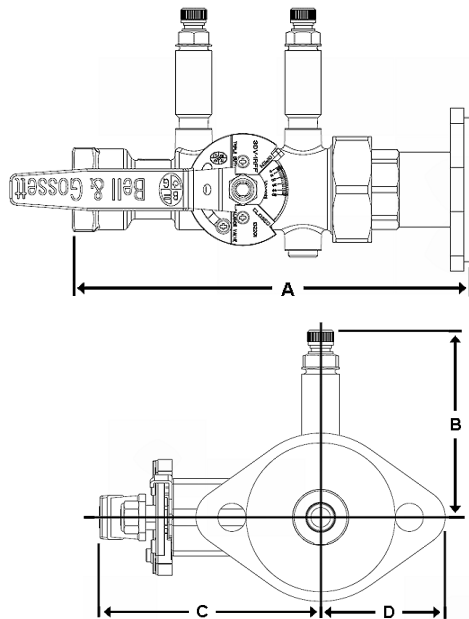
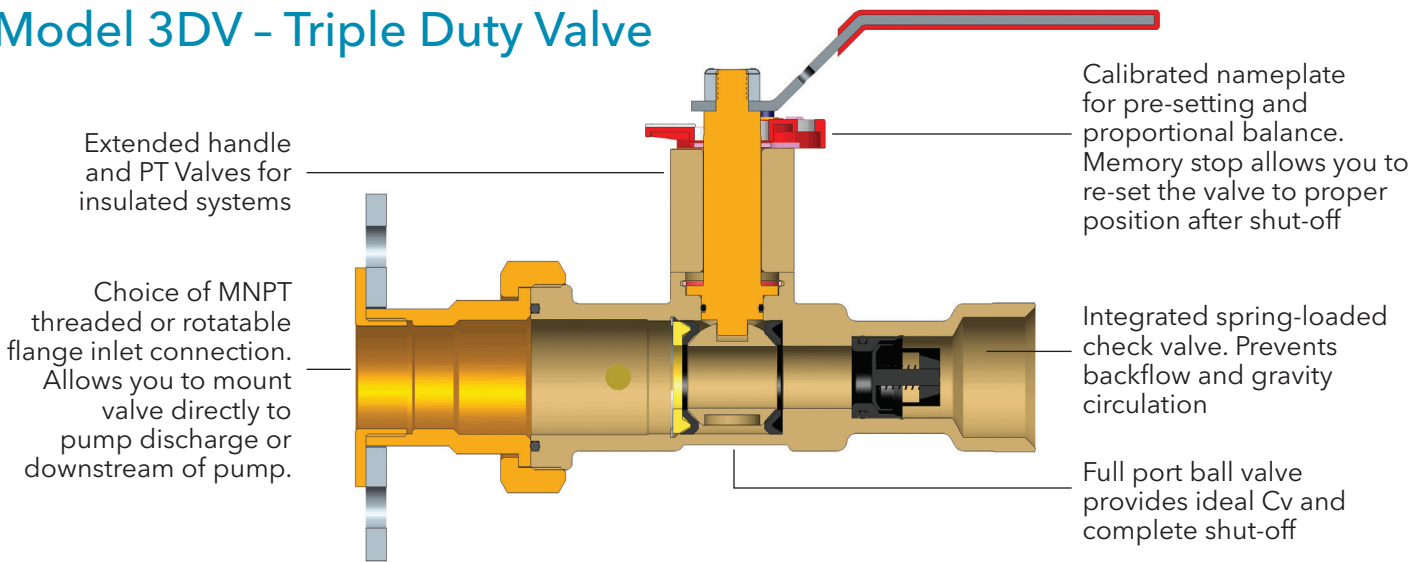
- Calibrated nameplate and ball valve design provides accurate balance for your HVAC system.
- Integrated spring-loaded check valve prevents gravity circulation and backflow.
- Full port ball valve provides complete shut-off, allowing your pump to be removed without draining down your system.
- Extended handle and extended PT valves allow for easy installation of insulation while still allowing  $\Delta P$  to be measured and valve to be adjusted.
- Cv ratings from 9 to 28, ideal for size and application.
- Sizes 1" through 2".
- Pressure/temperature valves standard to allow for easy pressure drop and flow measurement.



**Bell & Gossett**

a xylem brand

# Model 3DV - Triple Duty Valve



## Materials of Construction

### Valve

- Body:** C37700 Brass
- Ball:** Chrome Plated C36000 Brass
- Stem:** C37700 Brass
- Seating Rings:** Glass and Carbon Filled PTFE
- PT Valves:** C37700 Brass w/ EPDM Seals

### Check Valve

- Body:** Glass Filled Noryl
- Seals:** EPDM
- Spring:** Stainless Steel

## Operating Limits

- Max. Operating Pressure:** 200 psi (1,378 kPa)
- Temperature Range:** -4°F (-20°C) to 250°F (120°C)

### Accuracy

- +/- 5% (when installed with w/ recommended pipe lengths\*)
- +/- 10% (when installed directly at pump discharge)

\*see IOM V1000188 for recommended pipe lengths

MODEL NUMBER	SIZE	INLET CONNECTION TYPE	DIMENSIONS* in inches (mm)				Cv	APPROX. WEIGHT in lbs. (kg)
			A	B	C	D		
3DV-1NMF	1"	NPT Male	7.22 (183.4)	3.34 (84.8)	3.93 (99.8)	0.77 (19.6)	9	3.5 (1.6)
3DV-1RFF	1"	Rotatable Flange	7.34 (186.4)	3.34 (84.8)	3.93 (99.8)	2.22 (56.4)	9	3.5 (1.6)
3DV-1¼NMF	1¼"	NPT Male	8.11 (206.0)	3.48 (88.4)	4.46 (113.3)	0.90 (22.9)	14	4.6 (2.1)
3DV-1¼RFF	1¼"	Rotatable Flange	8.24 (209.3)	3.48 (88.4)	4.46 (113.3)	2.22 (56.4)	14	4.6 (2.1)
3DV-1½NMF	1½"	NPT Male	8.91 (226.3)	3.61 (91.7)	4.52 (114.8)	1.02 (25.9)	25	5.2 (2.4)
3DV-1½RFF	1½"	Rotatable Flange	9.07 (230.4)	3.61 (91.7)	4.52 (114.8)	2.22 (56.4)	25	5.2 (2.4)
3DV-2NMF	2"	NPT Male	10.53 (267.5)	3.86 (98.0)	4.82 (122.4)	1.34 (34.0)	28	8.3 (3.8)
3DV-2RFF	2"	Rotatable Flange	11.15 (283.2)	3.86 (98.0)	4.82 (122.4)	3.00 (76.2)	28	8.3 (3.8)

\* All dimensions +/-0.125 (3.2 mm) tolerance. Dimensions are subject to change. Not to be used for construction purposes unless certified.



Xylem Inc.  
 8200 N. Austin Avenue  
 Morton Grove, Illinois 60053  
 Phone: (847) 966-3700  
 Fax: (847) 965-8379  
 www.bellgossett.com

Bell & Gossett is a trademark of Xylem Inc. or one of its subsidiaries.  
 © 2013 Xylem Inc. A-631 February 2011