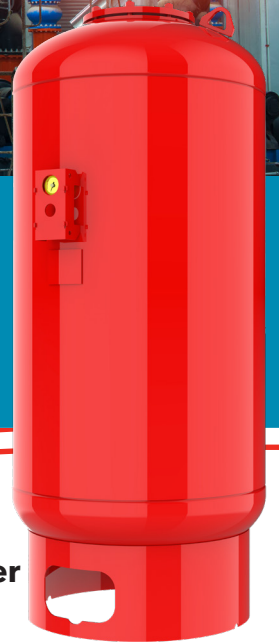


ASME Expansion Tanks

SERIES WTA PRE-CHARGED TANKS

**Designed for Potable Well Water
and Booster Pump Systems**



DESCRIPTION

The Series WTA expansion tank is an ASME constructed precharged vessel. The WTA tanks will help protect the pump and pressure switches against short cycling. The well tank delivers adequate water under pressure between pump cycles to meet the required demand. It will provide economical system operation by minimizing pump starts, extending the life of the pump motor, and saving energy. The WTA tank will also assist the pump in meeting peak demand.

- Commercial applications
- Designed and built according to ASME Section VIII, Division 1 standards
- Minimize pump run times, extends life of pump
- Integrated bladder integrity monitor on all models
- FDA approved materials
- High maximum operating temperatures
- 125 PSI maximum working pressure
- Higher working pressures available



Bell & Gossett

a xylem brand

WTA Well Water Tanks (ASME Construction)

WTA-401 THROUGH WTA-405 DIAPHRAGM TANKS

Maximum Working Pressure: 200 PSI (1,379 kPa)

Maximum Operating Temperature: 240°F (116°C)

Materials: Butyl Liner, Butyl Diaphragm, Steel Shell, Carbon Steel System Connection

Factory Precharge: 30 PSI (207 kPa)

WTA-447 THROUGH WTA-457 BLADDER TANKS

Maximum Working Pressure: 125 PSI (862 kPa)

Maximum Operating Temperature: 240°F (115°C)

Materials: Butyl Replaceable Bladder, Steel Shell, Malleable Iron System Connection

Factory Precharge: 25 PSI (172 kPa)

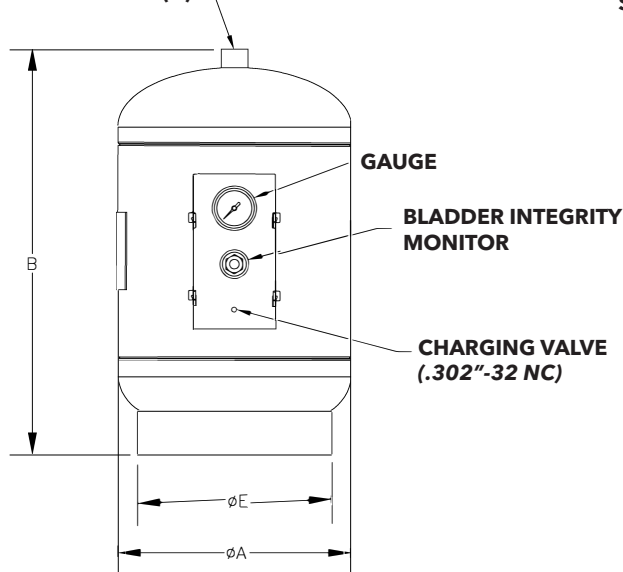
All tanks designed and constructed per ASME Section VIII Division 1.

Dimensions

Model	Tank and Acceptance		A	B	C	D	E	K	Ship Wt.	Flooded Wt.
	Gallons (Liters)		Height	Diameter	(NPT)	(NPT)	Inches (mm)			
WTA-401	17 (64)	12 (45)	25 (635)	16 (406)	1	N/A	14 (356)	N/A	64 (29)	206 (93)
WTA-402	25 (95)	17.5 (66)	34 (864)	16 (406)	1	N/A	14 (356)	N/A	84 (38)	292 (132)
WTA-403	34 (129)	23.5 (89)	45 (1,143)	16 (406)	1	N/A	14 (356)	N/A	97 (44)	380 (172)
WTA-404	78 (295)	53 (200)	47 (1,194)	24 (610)	1-1/2	N/A	20 (508)	N/A	259 (118)	909 (412)
WTA-405	90 (340)	60 (227)	53 (1,346)	24 (610)	1-1/2	N/A	20 (508)	N/A	283 (129)	1,033 (469)
WTA-447	53 (200)	53 (200)	43 (1,092)	24 (610)	1-1/2	3/4	20 (508)	5.25 (133)	210 (95)	651 (295)
WTA-448	80 (300)	79 (300)	55 (1,397)	24 (610)	1-1/2	3/4	20 (508)	5.25 (133)	225 (102)	891 (404)
WTA-449	106 (400)	106 (400)	49 (1,245)	30 (762)	1-1/2	3/4	24 (610)	5.25 (133)	300 (136)	1,183 (537)
WTA-450	132 (500)	132 (500)	57 (1,448)	30 (762)	2	3/4	24 (610)	5.25 (133)	335 (152)	1,435 (651)
WTA-451	158 (600)	158 (600)	65 (1,651)	30 (762)	2	3/4	24 (610)	5.25 (133)	360 (164)	1,676 (760)
WTA-452	211 (800)	211 (800)	76 (1,930)	32 (813)	2	3/4	28 (711)	5.25 (133)	475 (216)	2,233 (1,013)
WTA-453	264 (1,000)	264 (1,000)	87 (2,210)	36 (914)	3	N/A	30 (762)	9.13 (232)	735 (334)	2,934 (1,331)
WTA-454	317 (1,200)	317 (1,200)	98.5 (2,510)	36 (914)	3	N/A	30 (762)	9.13 (232)	745 (339)	3,386 (1,536)
WTA-455	370 (1,400)	370 (1,400)	110.5 (2,807)	36 (914)	3	N/A	30 (762)	8.88 (225)	900 (409)	3,982 (1,806)
WTA-456	422 (1,600)	422 (1,600)	84 (2,134)	48 (1,219)	3	N/A	42 (1,067)	9.13 (232)	1,210 (550)	4,725 (2,143)
WTA-457	528 (2,000)	528 (2,000)	96 (2,438)	48 (1,219)	3	N/A	42 (1,067)	9.13 (232)	1,305 (593)	5,703 (2,587)

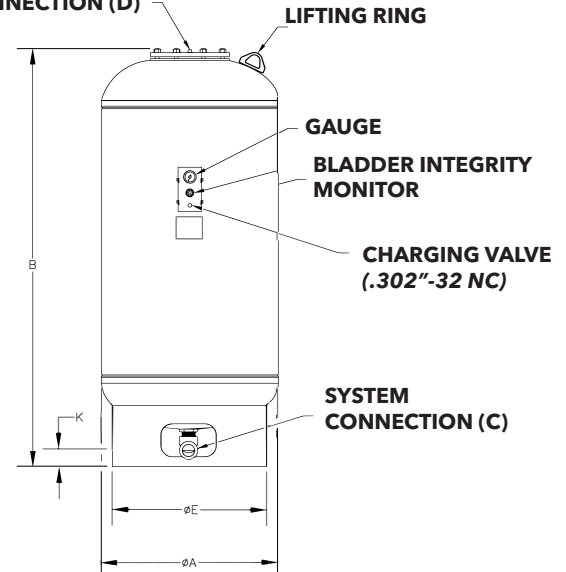
Dimensions subject to change. Not to be used for construction purposes.

SYSTEM CONNECTION (C)



WTA-401 thru WTA-405

SYSTEM CONNECTION (D)



WTA-447 thru WTA-457



Xylem Inc.
8200 N. Austin Avenue
Morton Grove, Illinois 60053
Phone: (847) 966-3700
Fax: (847) 965-8379
www.xylem.com/bellgossett