



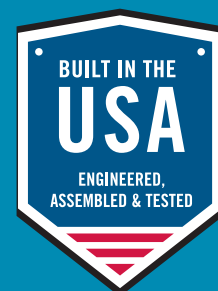
Quiet, Reliable Inline Circulators for Heating/Cooling & Plumbing Systems

- Maintenance-free
- Easily handles dirty water conditions
- Rugged, compact design
- 25% more efficient than competition
- Close-coupled dry motor



Series PL™

A SUPERIOR ALTERNATIVE TO WET ROTOR PUMPS



Series PL

A Superior Alternative to Wet Rotor Pumps

Description

The Series PL close coupled booster pumps are specifically designed for quiet operation in hydronic, radiant and geothermal heating and cooling systems. These inline permanently lubricated pumps are available in cast iron or lead-free* bronze body construction.

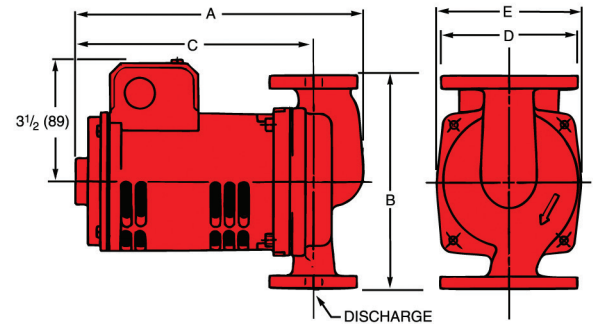
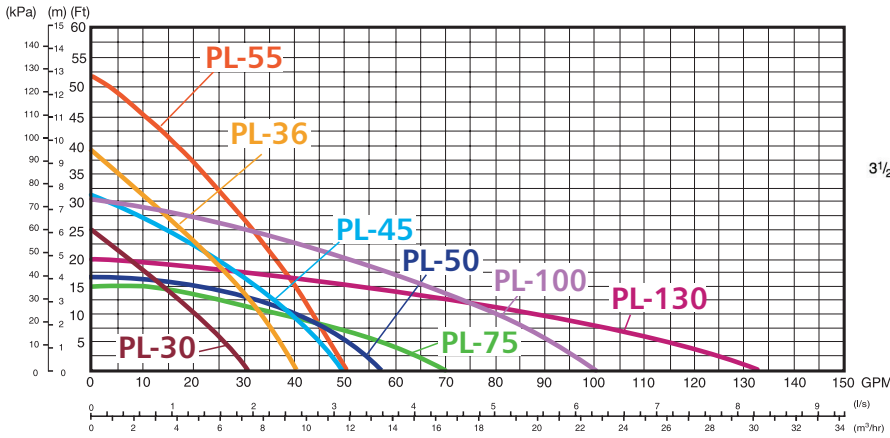
Operating Data

Maximum Working Pressure: 150 PSI (10.3 bar)
 Maximum Operating Temperature: 225°F (107°C)

Materials of Construction

Pump Body: Cast Iron or Lead-Free* Bronze
 Face Plate: Stainless Steel
 Impeller: PL-55, PL-100 and PL-130 are Glass Filled PPS.
 PL30, PL-36, PL-45, PL-50, PL-75 are 30% Glass Filled Noryl®
 Shaft : PL-55, PL-100 and PL-130 are Stainless Steel.
 PL30, PL-36, PL-45, PL-50, PL-75 are Carbon Steel with a Stainless Steel Shaft Sleeve
 Seal: Mechanical, Carbon on Silicon Carbide
 Motor Bearings: Sealed Precision Steel Ball Bearing
 Permanently Lubricated
 Motor Type: ODP Elastomers: EPDM

*CSA certified to NSF/ANSI 372 that product contains less than 0.25% lead content by weight on wetted surface.



Specifications

Cast Iron		Lead Free		Flange Sizes Inches - NPT	Motor Characteristics*			Dimension Inches (mm) @ 60Hz					Approx. Shpg. Wt. lbs (Kg)	
Model Number	Part Number	Model Number	Part Number		HP	Ø	Voltage	RPM	A	B	C	D		E
PL-30	1BL012	PL-30B	1BL013LF	3/4", 1", 1-1/4", 1 1/2"	1/12th	1	115	2650	8-5/8" (219)	6-3/8" (162)	7-1/8" (181)	4-3/16" (106)	4-3/8" (111)	11.6 (5.3)
PL-36	1BL001	PL-36B	1BL003LF	3/4", 1", 1-1/4", 1 1/2"	1/6th			3300	8-5/8" (219)	6-3/8" (162)	7-1/8" (181)	4-3/16" (106)	4-3/8" (111)	13.1 (6.0)
PL-45	1BL002	PL-45B	1BL004LF	1", 1-1/4", 1-1/2"	1/6th			3300	9-1/8" (232)	8-1/2" (216)	7-1/4" (184)	4-5/8" (117)	4-1/2" (114)	14.5 (6.6)
PL-50	1BL016	PL-50B	1BL017LF	1", 1-1/4", 1-1/2"	1/6th			3300	9-1/8" (232)	8-1/2" (216)	7-1/4" (184)	4-5/8" (117)	4-1/2" (114)	14.5 (6.6)
PL-55	1BL032	PL-55B	1BL068LF	3/4", 1", 1-1/4", 1 1/2"	2/5th			3250	9-9/16" (243)	6-3/8" (162)	7-15/16" (202)	4-3/16" (106)	4-3/4" (121)	13.1 (6.0)
PL-75	1BL034	PL-75B	1BL035LF	2"	1/6th			3400	9-15/16" (252)	8-1/2" (216)	7-3/8" (187)	5-3/16" (132)	4-5/8" (117)	18.5 (8.4)
PL-100	1BL134	PL-100B	1BL136LF	1", 1-1/4", 1-1/2"	2/5th			3250	9-1/8" (232)	8-1/2" (216)	7-1/4" (184)	4-5/8" (117)	4-1/2" (114)	14.5 (6.6)
PL-130/ 2"	1BL063	PL-130B/ 2"	1BL065LF	2"	2/5th			3200	10-3/4" (273)	8-1/2" (216)	8-1/4" (210)	5-3/16" (132)	5-1/8" (130)	22 (10)
PL-130/ 3"	1BL070	PL-130B/ 3"	1BL072LF	3"	2/5th			3200	10-3/4" (273)	8-1/2" (216)	8-1/4" (210)	6" (152)	5-1/8" (130)	27 (12.2)

* 230/60/1 motors available upon request. Models PL-75 and PL-130 have four bolt hole flange connection, all others have two bolt hole flange connectors. Dimensions are approximate and subject to changes. Contact factory for certified dimensions.



Xylem Inc.
 8200 N. Austin Avenue
 Morton Grove, Illinois 60053
 Phone: (847) 966-3700
 Fax: (847) 965-8379
www.xylem.com/bellgossett