

- Commercial Applications
- Minimizes Pump Run Time, Extends Life of Pump
- FDA Approved Materials
- High Maximum Operating Temperatures
- High Maximum Working Pressures



**Designed for Potable Well Water  
and Booster Pump Systems**

# Non-ASME Pre-Pressurized Tanks

## SERIES WT PRE-CHARGED TANKS

A-362B

 **Bell & Gossett**  
a xylem brand

# Series WT Potable Well Water Tanks

## DESCRIPTION

The Series WT expansion tank will help protect the pump and pressure switches against short cycling. The Potable well tank delivers adequate water under pressure between pump cycles to meet the required demand. It will provide economical system operation by minimizing pump starts, extending pump motor life, and saving energy. The WT tank will also assist the pump in meeting peak demand.

## CONSTRUCTION

Shell ..... Steel  
 System Connection ..... Malleable Iron  
 WT-401-WT-405 .... Butyl Diaphragm, Polypropylene Liner  
 WT-421-WT-457 ..... Butyl Bladder

## CONSTRUCTION (cont'd.)

Factory Precharge:  
 WT-401 - WT-405 .....30 PSIG  
 WT-421 - WT-457 .....25 PSIG

## PERFORMANCE LIMITATIONS

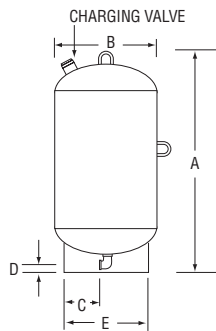
Maximum Design Pressure:  
 WT-401 - WT-405 .....150 PSIG (1035kPa)  
 WT-421 - WT-427 .....100 PSIG (689kPa)  
 WT-447 - WT-457 .....150 PSIG (1035kPa)

Maximum Design Temperature:  
 WT-401 - WT-405 ..... 200°F (93°C)  
 WT-421 - WT-457 ..... 240°F (116°C)

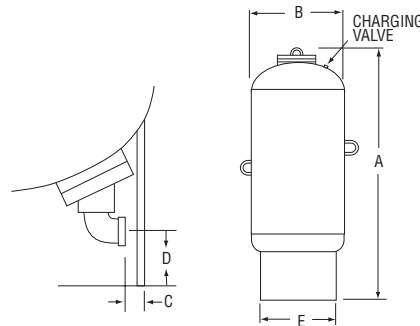
## Dimensions: Gallons (Ltrs.), Inches (mm), Weights: LBS (KG)

MODEL NUMBER	PART NUMBER	TANK VOLUME	ACCEPTANCE FACTOR	A HEIGHT	B DIAMETER	C	D	E	SYSTEM CONNECTION	APPROX. SHPG. WT.
WT-401	1BN101LF	18 (68)	0.65	31 <sup>1</sup> / <sub>4</sub> (794)	16 <sup>1</sup> / <sub>4</sub> (413)	4 (124)	1 <sup>1</sup> / <sub>2</sub> (38)	12 <sup>3</sup> / <sub>4</sub> (324)	1	95 (43)
WT-402	1BN102LF	25 (95)	0.45	39 <sup>3</sup> / <sub>4</sub> (1010)	16 <sup>1</sup> / <sub>4</sub> (413)	4 (124)	1 <sup>1</sup> / <sub>2</sub> (38)	12 <sup>3</sup> / <sub>4</sub> (324)	1	112 (51)
WT-403	1BN103LF	34 (129)	0.33	49 <sup>1</sup> / <sub>4</sub> (1251)	16 <sup>1</sup> / <sub>4</sub> (413)	4 (124)	1 <sup>1</sup> / <sub>2</sub> (38)	12 <sup>3</sup> / <sub>4</sub> (324)	1	123 (56)
WT-404	1BN104LF	68 (258)	0.50	47 <sup>1</sup> / <sub>4</sub> (1200)	24 (610)	6 <sup>1</sup> / <sub>4</sub> (159)	1 (41)	16 (406)	1 <sup>1</sup> / <sub>4</sub>	210 (95)
WT-405	1BN105LF	90 (341)	0.39	59 <sup>1</sup> / <sub>4</sub> (1505)	24 (610)	6 <sup>1</sup> / <sub>4</sub> (159)	1 (41)	16 (406)	1 <sup>1</sup> / <sub>4</sub>	280 (127)
WT-421	1BN106LF	158 (600)	0.65	74 (1895)	30 (762)	3 <sup>1</sup> / <sub>4</sub> (83)	4 <sup>1</sup> / <sub>4</sub> (108)	24 (610)	2	308 (140)
WT-422	1BN107LF	211 (800)	0.65	92 (2353)	30 (762)	3 <sup>1</sup> / <sub>4</sub> (83)	4 <sup>1</sup> / <sub>4</sub> (108)	24 (610)	2	431 (195)
WT-423	1BN108LF	264 (1000)	0.65	82 <sup>1</sup> / <sub>2</sub> (2086)	36 (914)	4 <sup>1</sup> / <sub>2</sub> (114)	5 <sup>1</sup> / <sub>16</sub> (128)	30 (762)	3	503 (229)
WT-424	1BN109LF	317 (1200)	0.65	94 <sup>1</sup> / <sub>2</sub> (2400)	36 (914)	4 <sup>1</sup> / <sub>2</sub> (114)	5 <sup>1</sup> / <sub>16</sub> (128)	30 (762)	3	567 (258)
WT-426	1BN110LF	422 (1600)	0.65	81 (2073)	48 (1220)	7 (187)	6 (156)	42 (1067)	3	906 (412)
WT-427	1BN111LF	528 (2000)	0.65	95 (2435)	48 (1220)	7 (187)	6 (156)	42 (1067)	3	1026 (466)
WT-447	1BN112LF	53 (200)	0.65	45 <sup>1</sup> / <sub>4</sub> (1150)	24 (610)	2 (51)	3 <sup>3</sup> / <sub>4</sub> (95)	19 (483)	2	263 (120)
WT-448	1BN113LF	80 (300)	0.65	59 (1502)	24 (610)	2 (51)	3 <sup>3</sup> / <sub>4</sub> (95)	19 (483)	2	308 (140)
WT-449	1BN114LF	106 (400)	0.65	73 (1857)	24 (610)	2 (51)	3 <sup>3</sup> / <sub>4</sub> (95)	19 (483)	2	352 (160)
WT-450	1BN115LF	132 (500)	0.65	86 (2200)	24 (610)	2 (51)	3 <sup>3</sup> / <sub>4</sub> (95)	19 (483)	2	392 (178)
WT-451	1BN116LF	158 (600)	0.65	73 <sup>1</sup> / <sub>4</sub> (1867)	30 (762)	3 <sup>1</sup> / <sub>2</sub> (89)	5 <sup>1</sup> / <sub>2</sub> (140)	24 (610)	2	513 (233)
WT-452	1BN117LF	211 (800)	0.65	91 (2312)	30 (762)	3 <sup>1</sup> / <sub>2</sub> (89)	5 <sup>1</sup> / <sub>2</sub> (140)	24 (610)	2	760 (345)
WT-453	1BN118LF	264 (1000)	0.65	89 (2184)	36 (914)	4 <sup>1</sup> / <sub>2</sub> (102)	7 (178)	30 (762)	3	810 (367)
WT-454	1BN119LF	317 (1200)	0.65	98 (2489)	36 (914)	4 <sup>1</sup> / <sub>2</sub> (102)	7 (178)	30 (762)	3	914 (415)
WT-455	1BN120LF	370 (1400)	0.65	110 (2804)	36 (914)	4 <sup>1</sup> / <sub>2</sub> (102)	7 (178)	30 (762)	3	1018 (462)
WT-456	1BN121LF	422 (1600)	0.65	81 (2080)	48 (1220)	7 <sup>1</sup> / <sub>2</sub> (191)	7 <sup>1</sup> / <sub>8</sub> (181)	42 (1067)	3	1655 (750)
WT-457	1BN122LF	528 (2000)	0.65	97 <sup>1</sup> / <sub>4</sub> (2470)	48 (1220)	7 <sup>1</sup> / <sub>2</sub> (191)	7 <sup>1</sup> / <sub>8</sub> (181)	42 (1067)	3	1925 (873)

Dimensions subject to change. Not to be used for construction purposes.



**WT-401 THROUGH WT-405**



**WT-421 THROUGH WT-457**



Xylem Inc.  
 8200 N. Austin Avenue  
 Morton Grove, Illinois 60053  
 Phone: (847) 966-3700  
 Fax: (847) 965-8379  
 www.bellgossett.com