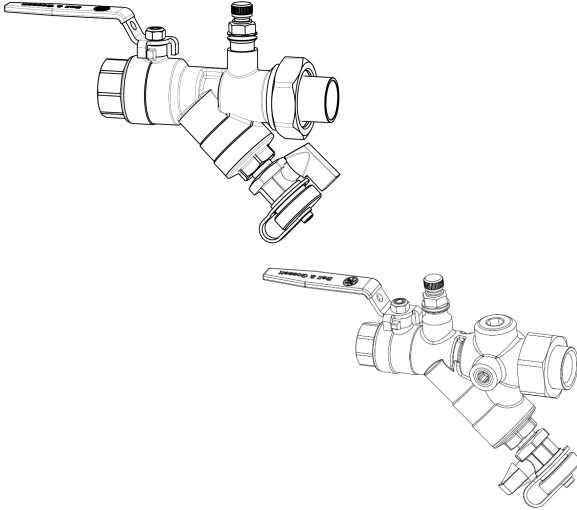


<b>JOB:</b>	<b>REPRESENTATIVE:</b>	
<b>UNIT TAG:</b>	<b>ORDER NO.:</b>	<b>DATE:</b>
<b>ENGINEER:</b>	<b>SUBMITTED BY:</b>	<b>DATE:</b>
<b>CONTRACTOR:</b>	<b>APPROVED BY:</b>	<b>DATE:</b>



# Model UBY

## Combination Ball Valve & Strainer

**DESCRIPTION**

The Bell & Gossett UBYC is a combination wye strainer, full port shut-off valve and union for use in HVAC systems. Strainers are furnished with a 20 mesh stainless steel screen, hose end drain valve for purging, and one pressure/temperature port for commissioning. A variety of pipe connections are available on both the fixed and union ends. An optional valve with Bypass port and additional pressure/temperature ports is available.

**CONSTRUCTION**

- Body: Brass
- Ball: Full Port Chrome Plated
- Ball Seal: PTFE
- Stem: Stainless Steel (Explosion Proof)
- O-Rings: EPDM
- Strainer: 20 Mesh Stainless Steel
- Bypass Port Tap Size (optional):
  - 1/2" FNPT for sizes 1/2", 3/4" and 1"
  - 3/4" FNPT for sizes 1 1/4" and 1 1/2"
  - 1" FNPT for 2"

**MAX. WORKING PRESSURE**

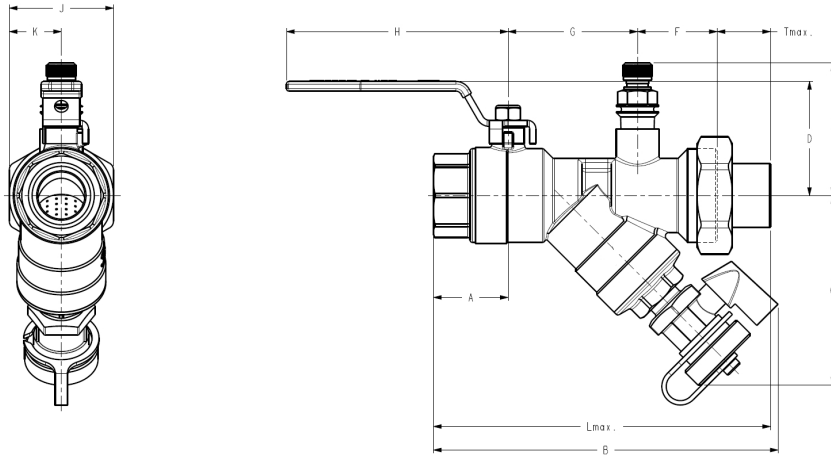
400 psig (2,758 kPa)

**MAX. OPERATING TEMPERATURE**

-4°F (-20°C) to 250°F (121°C)

**SCHEDULE**

VALVE SIZE FIXED END	TAGGING INFORMATION	QUANTITY (NO PORT)	QUANTITY (WITH PORT)
1/2" Sweat Female			
1/2" NPT Female			
3/4" Sweat Female			
3/4" NPT Female			
1" Sweat Female			
1" NPT Female			
1 1/4" Sweat Female			
1 1/4" NPT Female			
1 1/2" Sweat Female			
1 1/2" NPT Female			
2" Sweat Female			
2" NPT Female			



**NOTE: THIS IS THE DEFAULT MODEL IF NO ADDITIONAL PT PORTS OR BYPASS IS REQUIRED.**

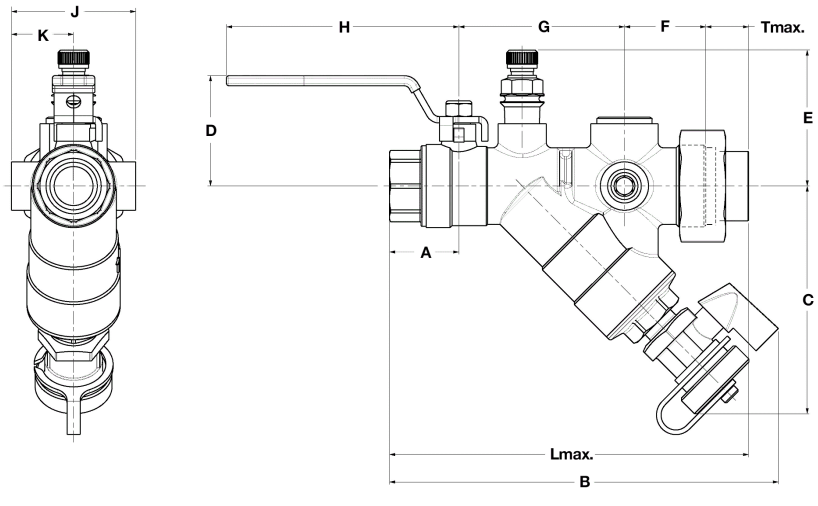
Valve Size Fixed End	Connection Fixed End	Cv	DIMENSIONS* INCH (mm)												Approx. Weight Lbs. (kg)
			A	B	C	D	E	F	G	H	J	K	T (Max)	L (Max)	
½"	Sweat Female	7.4	1.303 (33.1)	5.417 (137.59)	2.918 (74.12)	1.672 (42.46)	1.92 (48.77)	1.135 (28.82)	1.872 (47.56)	3.533 (89.74)	1.375 (34.93)	0.688 (17.46)	.6 (15.24)	7.140 (181.24)	1.5 (.68)
½"	NPT Female	7.4	1.055 (26.8)	5.169 (131.29)	2.918 (74.12)	1.672 (42.46)	1.92 (48.77)	1.135 (28.82)	1.872 (47.56)	3.533 (89.74)	1.375 (34.93)	0.688 (17.46)	.650 (16.51)	7.19 (182.63)	1.5 (.68)
¾"	Sweat Female	8	1.559 (39.6)	5.865 (148.96)	3.024 (76.82)	1.819 (46.2)	2.114 (53.7)	1.27 (32.25)	2.064 (52.43)	3.533 (89.74)	1.66 (42.16)	0.83 (21.08)	.85 (21.59)	7.717 (196)	1.81 (.82)
¾"	NPT Female	8	1.189 (30.2)	5.494 (139.56)	3.024 (76.82)	1.819 (46.2)	2.114 (53.7)	1.27 (32.25)	2.064 (52.43)	3.533 (89.74)	1.66 (42.16)	0.83 (21.08)	.8 (20.32)	7.667 (194.74)	1.81 (.82)
1"	Sweat Female	16	1.846 (46.9)	7.13 (181.1)	4.029 (102.33)	2.126 (54)	2.323 (59)	1.332 (33.83)	2.603 (66.11)	4.288 (108.93)	1.910 (48.51)	.955 (24.26)	1.010 (25.65)	9.233 (234.52)	3.06 (1.63)
1"	NPT Female	16	1.421 (36.1)	6.704 (170.29)	4.029 (102.33)	2.126 (54)	2.323 (59)	1.332 (33.83)	2.603 (66.11)	4.288 (108.93)	1.910 (48.51)	.955 (24.26)	.900 (22.86)	9.123 (231.72)	3.06 (1.63)
1¼"	Sweat Female	18	2.17 (55)	7.89 (200.4)	4.374 (111.1)	2.882 (73.2)	2.475 (62.87)	1.561 (39.65)	3.105 (78.87)	5.158 (131.02)	2.43 (61.72)	1.215 (30.86)	1.070 (27.18)	10.894 (276.71)	4.44 (2.01)
1¼"	NPT Female	18	1.634 (41.5)	7.357 (186.87)	4.374 (111.1)	2.882 (73.2)	2.475 (62.87)	1.561 (39.65)	3.105 (78.87)	5.158 (131.02)	2.43 (61.72)	1.215 (30.86)	1.00 (25.4)	10.824 (274.93)	4.44 (2.01)
1½"	Sweat Female	46	2.41 (61.2)	9.16 (232.6)	4.923 (125.04)	3.12 (79.12)	2.72 (69)	1.815 (46.11)	4.227 (107.37)	5.16 (131)	2.82 (71.63)	1.41 (35.81)	1.23 (31.24)	12.432 (315.77)	7.25 (3.29)
1½"	NPT Female	46	1.83 (46.5)	8.58 (217.9)	4.923 (125.04)	3.12 (79.12)	2.72 (69.)	1.815 (46.11)	4.227 (107.37)	5.16 (131)	2.82 (71.63)	1.41 (35.81)	1.250 (31.75)	12.452 (316.28)	7.25 (3.29)
2"	Sweat Female	54	2.943 (74.74)	10.16 (258.1)	5.368 (136.35)	3.72 (94.5)	2.961 (75.21)	1.897 (48.19)	4.441 (112.81)	6.58 (167.13)	3.5 (88.9)	1.75 (44.45)	1.48 (37.59)	14.398 (365.71)	10 (4.54)
2"	NPT Female	54	2.185 (55.5)	9.4 (238.8)	5.368 (136.35)	3.72 (94.5)	2.961 (75.21)	1.897 (48.19)	4.441 (112.81)	6.58 (167.13)	3.50 (88.9)	1.75 (44.45)	1.170 (29.72)	14.088 (357.84)	10 (4.54)

\*All dimensions +/- 0.125 (3.2 mm) tolerance. Dimensions are subject to change. Not to be used for construction purposes unless certified.

Xylem Inc.  
8200 N. Austin Avenue  
Morton Grove, IL 60053  
Phone: (847)966-3700  
Fax: (847)965-8379  
www.bellgossett.com



Bell & Gossett is a trademark of Xylem Inc. or one of its subsidiaries.  
© 2014 Xylem Inc.



**NOTE: THIS MODEL WILL BE SELECTED IF ADDITIONAL PT PORTS OR BYPASS IS REQUIRED.**

Valve Size Fixed End	Connection Fixed End	Cv	DIMENSIONS* INCH (mm)												Approx. Weight Lbs. (kg)
			A	B	C	D	E	F	G	H	J	K	T (Max)	L (Max)	
½"	Sweat Female	4.1	1.303 (33.1)	6.162 (156.52)	3.447 (87.56)	1.672 (42.46)	2.060 (52.32)	1.238 (31.45)	2.518 (63.95)	3.533 (89.74)	1.890 (48)	0.945 (24)	0.600 (15.24)	5.659 (143.74)	1.5 (.68)
½"	NPT Female	4.1	1.055 (26.8)	5.914 (150.22)	3.447 (87.56)	1.672 (42.46)	2.060 (52.32)	1.238 (31.45)	2.518 (63.95)	3.533 (89.74)	1.890 (48)	0.945 (24)	0.650 (16.51)	5.461 (138.71)	1.5 (.68)
¾"	Sweat Female	6.8	1.559 (39.6)	6.733 (171.03)	3.670 (93.22)	1.819 (46.2)	2.114 (53.7)	1.220 (31)	2.827 (71.8)	3.533 (89.74)	2.126 (54)	1.063 (27)	0.850 (21.59)	6.456 (163.99)	1.81 (.82)
¾"	NPT Female	6.8	1.189 (30.2)	6.363 (161.63)	3.670 (93.22)	1.819 (46.2)	2.114 (53.7)	1.220 (31)	2.827 (71.8)	3.533 (89.74)	2.126 (54)	1.063 (27)	0.800 (20.32)	6.036 (153.32)	1.81 (.82)
1"	Sweat Female	8.8	1.846 (46.9)	7.933 (201.49)	4.519 (114.79)	2.224 (56.5)	2.323 (59)	1.772 (45)	3.520 (89.4)	4.290 (108.96)	2.480 (63)	1.240 (31.5)	1.010 (25.65)	8.148 (206.95)	3.06 (1.63)
1"	NPT Female	8.8	1.421 (36.1)	7.508 (190.69)	4.519 (114.79)	2.224 (56.5)	2.323 (59)	1.772 (45)	3.520 (89.4)	4.290 (108.96)	2.480 (63)	1.240 (31.5)	0.900 (22.86)	7.613 (193.36)	3.06 (1.63)
1¼"	Sweat Female	14	2.167 (55.03)	8.672 (220.27)	4.714 (119.74)	2.882 (73.2)	2.475 (62.87)	1.587 (40.3)	3.831 (97.3)	5.158 (131.02)	2.953 (75)	1.476 (37.5)	1.070 (27.18)	8.654 (219.81)	4.44 (2.01)
1¼"	NPT Female	14	1.634 (41.5)	8.139 (206.74)	4.714 (119.74)	2.882 (73.2)	2.475 (62.87)	1.587 (40.3)	3.831 (97.3)	5.158 (131.02)	2.953 (75)	1.476 (37.5)	1.000 (25.4)	8.051 (204.5)	4.44 (2.01)
1½"	Sweat Female	31	2.408 (61.17)	9.434 (239.61)	4.923 (125.04)	3.118 (79.2)	2.715 (68.96)	2.244 (57)	4.449 (113)	5.158 (131.02)	3.307 (84)	1.654 (42)	1.230 (31.24)	10.331 (262.41)	7.25 (3.29)
1½"	NPT Female	31	1.831 (46.5)	8.856 (224.94)	4.923 (125.04)	3.118 (79.2)	2.715 (68.96)	2.24 (57.0)	4.449 (113)	5.158 (131.02)	3.307 (84)	1.654 (42)	1.250 (31.75)	9.774 (248.25)	7.25 (3.29)
2"	Sweat Female	34	2.943 (74.74)	10.630 (270)	5.368 (136.35)	3.602 (91.5)	2.961 (75.21)	2.087 (53)	5.098 (129.5)	6.580 (167.13)	3.977 (101.01)	1.988 (50.5)	1.480 (37.59)	11.608 (294.83)	10 (4.54)
2"	NPT Female	34	2.185 (55.5)	9.872 (250.76)	5.368 (136.35)	3.602 (91.5)	2.961 (75.21)	2.087 (53)	5.098 (129.5)	6.580 (167.13)	3.977 (101.01)	1.988 (50.5)	1.170 (29.72)	10.540 (267.72)	10 (4.54)

\*All dimensions +/- 0.125 (3.2 mm) tolerance. Dimensions are subject to change. Not to be used for construction purposes unless certified.

Xylem Inc.  
8200 N. Austin Avenue  
Morton Grove, IL 60053  
Phone: (847)966-3700  
Fax: (847)965-8379  
www.bellgossett.com



Bell & Gossett is a trademark of Xylem Inc. or one of its subsidiaries.  
© 2014 Xylem Inc.