

JOB:	REPRESENTATIVE:
UNIT TAG:	ORDER NO.
ENGINEER:	SUBMITTED BY:
CONTRACTOR:	APPROVED BY:
	DATE:
	DATE:
	DATE:



Series e-90 Inline Pump with Electronically Commutated Motor (ECM)

MATERIALS OF CONSTRUCTION/FEATURES

BRONZE FITTED CONSTRUCTION
1765 RPM ODP, ELECTRONICALLY COMMUTATED MOTOR/PERMANENT MAGNET
INTERNAL SELF-FLUSHING MECHANICAL SEAL
EPR/CARBON/SILICON CARBIDE (-10°F TO 250°F)
175 PSI (12 bar) MAXIMUM WORKING PRESSURE

SPECIFICATIONS

MODEL NO. _____

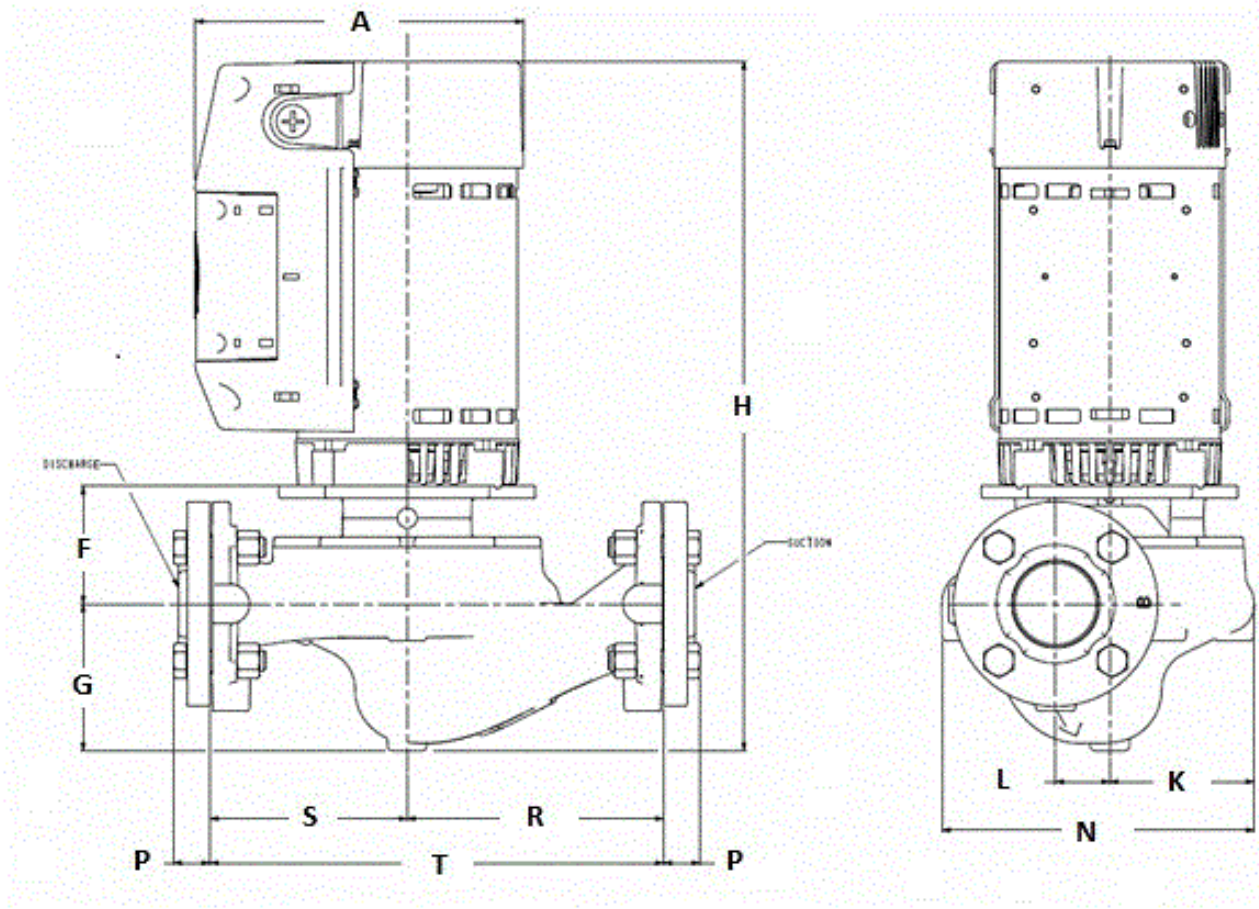
FLOW _____ HEAD _____

HP _____ RPM _____

VOLTAGE _____ CYCLE _____ PHASE _____

Series e-90 ECM				RATED MOTOR CHARACTERISTICS									
PUMP DESCRIPTION	MODEL NUMBER	PART NUMBER	FLANGE SIZE	HP	VOLTAGE	PHASE	Hz	AMPS	MIN RPM	MAX RPM	MOTOR MODEL #	WEIGHT	
SERIES e90 ECM - 1AAB, .50 HP, 115V	e9050S-ECM	179209LF	1"	0.50	115V	1	50/60	6.1 & 6.5	350	1765	SM2129	53	
SERIES e90 ECM - 1.25AAB, .50 HP, 115V	e9051S-ECM	179210LF	1.25"	0.50	115V	1	50/60	6.1 & 6.5	350	1765	SM2129	55	
SERIES e90 ECM - 1AAB, .50 HP, 230V	e9052S-ECM	179211LF	1"	0.50	230V	1	50/60	3.4-3.2 & 3.5-3.3	350	1765	SM2130	53	
SERIES e90 ECM - 1.25AAB, .50 HP, 230V	e9053S-ECM	179212LF	1.25"	0.50	230V	1	50/60	3.4-3.2 & 3.5-3.3	350	1765	SM2130	55	
SERIES e90 ECM - 1.5AAB, 1 HP, 230V	e9054S-ECM	179213LF	1.5"	1	230V	1	50/60	6.8-6.4 & 6.9-6.5	350	1765	SM2131	58	
SERIES e90 ECM - 2AAB, 1 HP, 230V	e9055S-ECM	179214LF	2"	1	230V	1	50/60	6.8-6.4 & 6.9-6.5	350	1765	SM2131	65	
SERIES e90 ECM - 3AAB, 1 HP, 230V	e9056S-ECM	179215LF	3"	1	230V	1	50/60	6.8-6.4 & 6.9-6.5	350	1765	SM2131	70	

SERIES e-90 WITH ECM	PUMP DIMENSIONS IN INCHES (MM)										
	A	F	G	H	K	L	N	P	R	S	T
179209LF	8-5/16 [211]	2-3/4 (70)	4 (102)	16-15/16 [430]	3-5/8 (92)	1-3/8 (35)	7-1/2 (190)	11/16 (17)	5 (127)	6 (152)	11 (279)
179210LF	8-5/16 [211]	2-3/4 (70)	4 (120)	16-15/16 [430]	3-5/8 (92)	1-3/8 (35)	7-1/2 (190)	3/4 (19)	5 (127)	6 (152)	11 (279)
179211LF	8-5/16 [211]	2-3/4 (70)	4 (120)	16-15/16 [430]	3-5/8 (92)	1-3/8 (35)	7-1/2 (190)	11/16 (17)	5 (127)	6 (152)	11 (279)
179212LF	8-5/16 [211]	2-3/4 (70)	4 (102)	16-15/16 [430]	3-5/8 (92)	1-3/8 (35)	7-1/2 (190)	3/4 (19)	5 (127)	6 (152)	11 (279)
179213LF	8-5/16 [211]	2-7/8 (73)	4 (102)	17-5/16 [440]	3-3/4 (95)	1-3/8 (35)	7-7/8 (200)	3/4 (19)	5 (127)	6-1/2 (165)	11-1/2 (292)
179214LF	8-5/16 [211]	3 (76)	4-7/16 (111)	17-15/32 [444]	3-3/4 (95)	1-3/8 (35)	8 (203)	13/16 (21)	5 (127)	6-1/2 (165)	11-1/2 (292)
179215LF	8-5/16 [211]	3 (76)	4-7/16 (111)	17-1/8 [435]	3-3/4 (95)	1-3/8 (35)	8 (203)	1-1/16 (27)	5-3/4 (146)	6-1/4 (159)	12 (305)



Xylem Inc.
 8200 N. Austin Avenue
 Morton Grove, IL 60053
 Phone: (847)966-3700
 Fax: (847)965-8379
 www.bellgossett.com



DESCRIPTION

The e-90 pump is a versatile in-line pump that offers wide hydraulic coverage well suited for the commercial HVAC market.

The newly incorporated electronically commutated motor (ECM), delivers smooth, quiet, consistent operating performance.

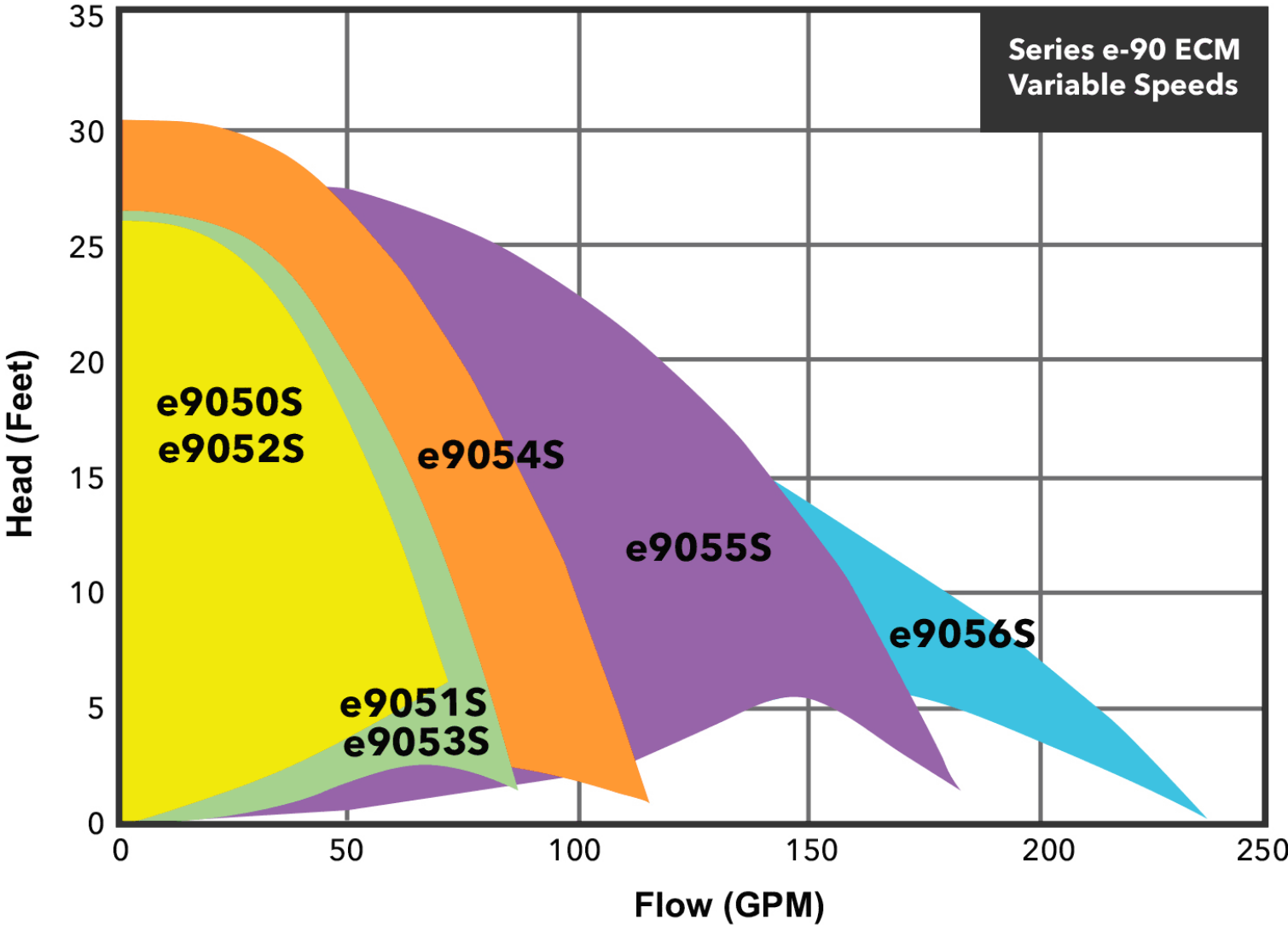
INPUT SIGNALS

- Onboard variable speed control potentiometer allows up to 5/1 turndown
- Adjust pump speed to satisfy specific hydraulic requirements to avoid over or under pumping
- Allows for an adjustable minimum speed to establish specific operating speed ranges

REMOTE BUILDING MANAGEMENT SYSTEM CAPABILITIES

- 0-10VDC input allows speed control from BMS or analog output controller
- Allows pump speed to be regulated by an external controller

Hydraulic Curve Performance Range Series e-90 ECM



Xylem Inc.
 8200 N. Austin Avenue
 Morton Grove, IL 60053
 Phone: (847)966-3700
 Fax: (847)965-8379
 www.bellgossett.com

