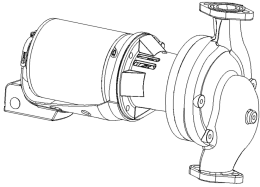


JOB:	REPRESENTATIVE:	
UNIT TAG:	ORDER NO.	DATE:
ENGINEER:	SUBMITTED BY:	DATE:
CONTRACTOR:	APPROVED BY:	DATE:



3x3x5.25 Series e-60[®] Maintenance Free In-Line Mounted Pump

SPECIFICATIONS

FLOW _____ HEAD _____
 HP _____ RPM _____
 VOLTS _____
 CYCLE _____ PHASE _____
 ENCLOSURE _____
 APPROX. WEIGHT _____
 SPECIALS _____

MATERIALS OF CONSTRUCTION

BRONZE FITTED ALL BRONZE

FEATURES

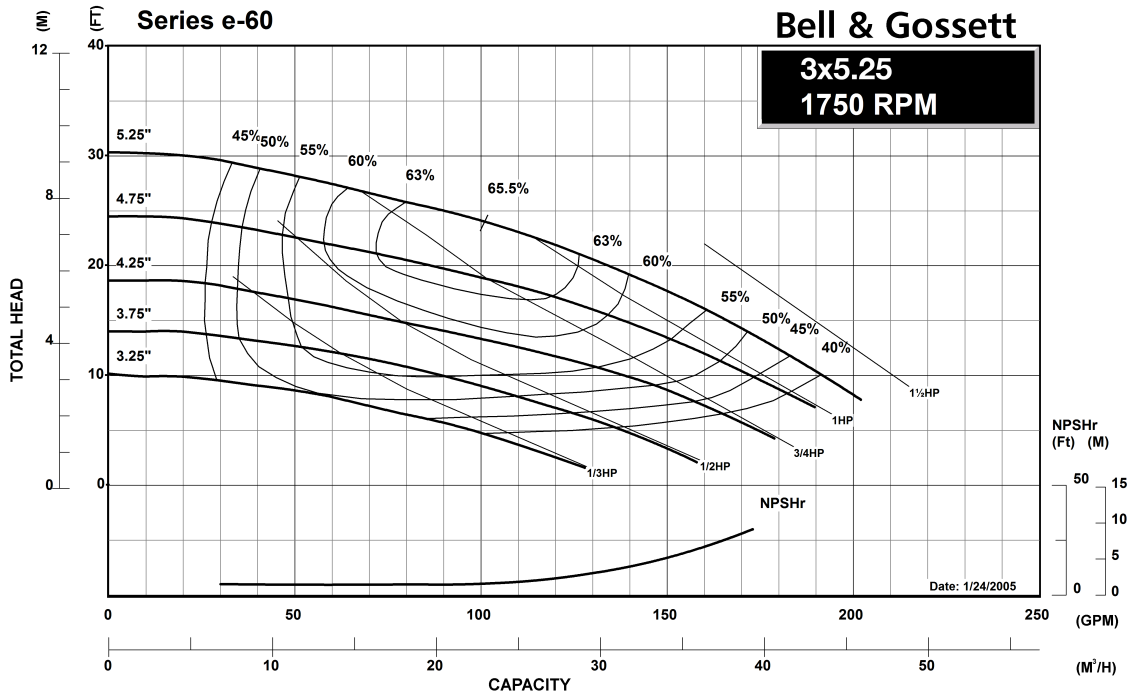
- MAINTENANCE FREE PUMP
- UNITIZED INTERNALLY SELF-FLUSHING MECHANICAL SEAL
- XLI[®] BEARING LUBRICATION SYSTEM
- THREE YEAR WARRANTY
- FACTORY TEST

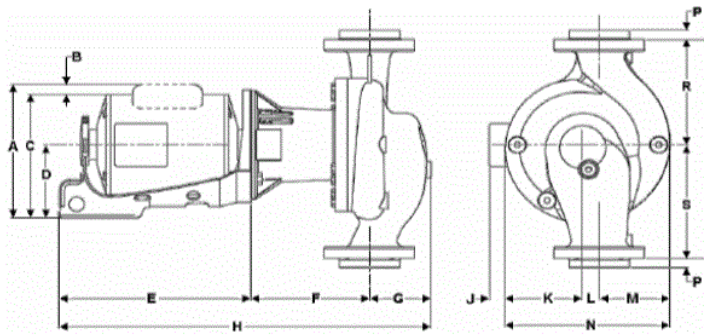
WORKING PRESSURE

- 175 psi (12 bar) W.P.

TYPE OF SEAL

- Standard Seal**
EPR/Carbon/Silicon Carbide
-20 °F TO 250 °F(-29 °C TO 121 °C)
- Optional Seal**
FKM/Carbon/Silicon Carbide
-20 °F TO 225 °F(-29 °C TO 107 °C)
- Optional Seal**
EPR/Graphite loaded Silicon Carbide on Graphite loaded Silicon Carbide
-20 °F TO 250 °F(-29 °C TO 121 °C)





SUCTION AND DISCHARGE SIZE INCHES NPT	PUMP DIMENSIONS IN INCHES (MM)									
	F	G	K	L	M	N	P	R	S	T
3	6.69 (170)	3.5 (89)	3.75 (95)	1.38 (35)	2.88 (73)	8 (203)	1.06 (27)	5.75 (146)	6.25 (159)	12 (305)

MAXIMUM WORKING PRESSURE 175PSI (12BAR)

ALL MOTORS 1750RPM

(254)

DIMENSIONS - INCHES (MM)

MOTOR HP		MOTOR DIMENSIONS - INCHES (MM)					
HP	PHASE	A (max)	B	C	D	E	H
1/3	1	10.12 (257)	2.25 (57)	7.88 (200)	4.38 (111)	10 (254)	20.44 (519)
1/3	3	7.88 (200)	-	7.88 (200)	4.38 (111)	10 (254)	20.44 (519)
1/2	1	10.12 (257)	2.25 (57)	7.88 (200)	4.38 (111)	11 (279)	20.44 (519)
1/2	3	7.88 (200)	-	7.88 (200)	4.38 (111)	11 (279)	20.44 (519)
3/4	1	10.12 (257)	2.25 (57)	7.88 (200)	4.38 (111)	11 (279)	20.44 (519)
3/4	3	7.88 (200)	-	7.88 (200)	4.38 (111)	11 (279)	20.44 (519)
1	1	10.12 (257)	2.25 (57)	7.88 (200)	4.38 (111)	11 (279)	23.38 (594)
1	3	7.88 (200)	-	7.88 (200)	4.38 (111)	11 (279)	23.38 (594)
1.5	1	8.75 (222)	2.25 (57)	6.5 (165)	3.25 (83)	10.75 (273)	21.12 (536)
1.5	3	6.5 (165)	-	6.5 (165)	3.25 (83)	10.75 (273)	21.12 (536)

DIMENSIONS ARE SUBJECT TO CHANGE. NOT TO BE USED FOR CONSTRUCTION PURPOSES UNLESS CERTIFIED.

INCLUDES COMPANION FLANGES.