

JOB:	REPRESENTATIVE:
UNIT TAG:	ORDER NO.
ENGINEER:	SUBMITTED BY:
CONTRACTOR:	APPROVED BY:
	DATE:
	DATE:
	DATE:



Series e-60 Inline Pump with Electronically Commutated Motor (ECM)

MATERIALS OF CONSTRUCTION/FEATURES

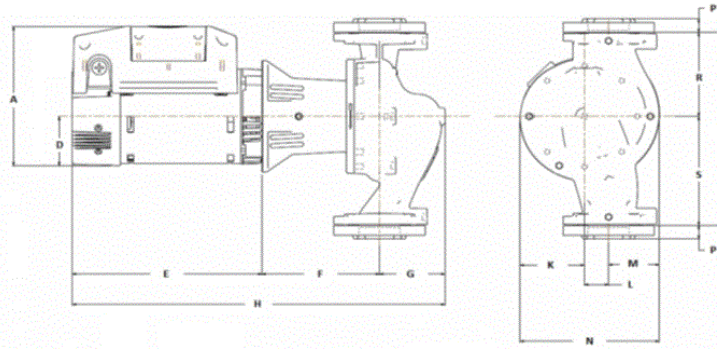
BRONZE FITTED CONSTRUCTION
1725 RPM ODP, ELECTRONICALLY COMMUTATED MOTOR/PERMANENT MAGNET
UNITIZED INTERNAL SELF-FLUSHING MECHANICAL SEAL
EPR/CARBON/SILICON CARBIDE SEAL (-20°F TO 225°F)
175 PSI (12 bar) MAXIMUM WORKING PRESSURE
 BRONZE FITTED ALL BRONZE

SPECIFICATIONS

MODEL NO. _____
FLOW _____ HEAD _____
HP _____ RPM _____
VOLTAGE _____ CYCLE _____ PHASE _____

Series e-60 ECM Bronze Fitted				RATED MOTOR CHARACTERISTICS								
PUMP DESCRIPTION	MODEL NUMBER	PART NUMBER	FLANGE SIZE	HP	VOLTAGE	PHASE	Hz	AMPS	MIN RPM	MAX RPM	MOTOR MODEL #	WEIGHT
Series e-60 ECM - 1x1x5.25, .50 HP, 115V	e650S-ECM BF	1EF151LF	1"	0.50	115V	1	50/60	6.1 & 6.5	350	1725	SM2126	53
Series e-60 ECM - 1.25x1.25x5.25, .50 HP, 115V	e651S-ECM BF	1EF152LF	1.25"	0.50	115V	1	50/60	6.1 & 6.5	350	1725	SM2126	55
Series e-60 ECM - 1x1x5.25, .50 HP, 230V	e652S-ECM BF	1EF153LF	1"	0.50	230V	1	50/60	3.4-3.2 & 3.5-3.3	350	1725	SM2127	53
Series e-60 ECM - 1.25x1.25x5.25, .50 HP, 230V	e653S-ECM BF	1EF154LF	1.25"	0.50	230V	1	50/60	3.4-3.2 & 3.5-3.3	350	1725	SM2127	55
Series e-60 ECM - 1.5x1.5x5.25, 1 HP, 230V	e654S-ECM BF	1EF155LF	1.5"	1	230V	1	50/60	6.8-6.4 & 6.9-6.5	350	1725	SM2128	59
Series e-60 ECM - 2x2x5.25, 1 HP, 230V	e655S-ECM BF	1EF156LF	2"	1	230V	1	50/60	6.8-6.4 & 6.9-6.5	350	1725	SM2128	65
Series e-60 ECM - 3x3x5.25, 1 HP, 230V	e656S-ECM BF	1EF157LF	3"	1	230V	1	50/60	6.8-6.4 & 6.9-6.5	350	1725	SM2128	79

Series e-60 ECM All Bronze				RATED MOTOR CHARACTERISTICS								
PUMP DESCRIPTION	MODEL NUMBER	PART NUMBER	FLANGE SIZE	HP	VOLTAGE	PHASE	Hz	AMPS	MIN RPM	MAX RPM	MOTOR MODEL #	WEIGHT
Series e-60 ECM - 1x1x5.25, .50 HP, 115V	Be650S-ECM AB	1EF158LF	1"	0.50	115V	1	50/60	6.1 & 6.5	350	1725	SM2126	53
Series e-60 ECM - 1.25x1.25x5.25, .50 HP, 115V	Be651S-ECM AB	1EF159LF	1.25"	0.50	115V	1	50/60	6.1 & 6.5	350	1725	SM2126	55
Series e-60 ECM - 1x1x5.25, .50 HP, 230V	Be652S-ECM AB	1EF160LF	1"	0.50	230V	1	50/60	3.4-3.2 & 3.5-3.3	350	1725	SM2127	53
Series e-60 ECM - 1.25x1.25x5.25, .50 HP, 230V	Be653S-ECM AB	1EF161LF	1.25"	0.50	230V	1	50/60	3.4-3.2 & 3.5-3.3	350	1725	SM2127	55
Series e-60 ECM - 1.5x1.5x5.25, 1 HP, 230V	Be654S-ECM AB	1EF162LF	1.5"	1	230V	1	50/60	6.8-6.4 & 6.9-6.5	350	1725	SM2128	59
Series e-60 ECM - 2x2x5.25, 1 HP, 230V	Be655S-ECM AB	1EF163LF	2"	1	230V	1	50/60	6.8-6.4 & 6.9-6.5	350	1725	SM2128	65
Series e-60 ECM - 3x3x5.25, 1 HP, 230V	Be656S-ECM AB	1EF164LF	3"	1	230V	1	50/60	6.8-6.4 & 6.9-6.5	350	1725	SM2128	79



Series e-60 ECM BRONZE FITTED				RATED MOTOR CHARACTERISTICS								
PUMP DESCRIPTION	MODEL NUMBER	PART NUMBER	FLANGE SIZE	HP	VOLTAGE	PHASE	Hz	AMPS	MIN RPM	MAX RPM	MOTOR MODEL #	WEIGHT
SERIES e-60 ECM - 1x1x5.25, .50 HP, 115V	e650S-ECM	1EF151LF	1	0.5	115V	1	50/60	6.1 & 6.5	350	1725	SM2126	53
SERIES e-60 ECM - 1.25x1.25x5.25, .50 HP, 115V	e651S-ECM	1EF152LF	1.25	0.5	115V	1	50/60	6.1 & 6.5	350	1725	SM2126	55
SERIES e-60 ECM - 1x1x5.25, .50 HP, 230V	e652S-ECM	1EF153LF	1	0.5	230V	1	50/60	3.4-3.2 & 3.5-3.3	350	1725	SM2127	53
SERIES e-60 ECM - 1.25x1.25x5.25, .50 HP, 230V	e653S-ECM	1EF154LF	1.25	0.5	230V	1	50/60	3.4-3.2 & 3.5-3.3	350	1725	SM2127	55
SERIES e-60 ECM - 1.5x1.5x5.25, 1 HP, 230V	e654S-ECM	1EF155LF	1.5	1	230V	1	50/60	6.8-6.4 & 6.9-6.5	350	1725	SM2128	59
SERIES e-60 ECM - 2x2x5.25, 1 HP, 230V	e655S-ECM	1EF156LF	2	1	230V	1	50/60	6.8-6.4 & 6.9-6.5	350	1725	SM2128	65
SERIES e-60 ECM - 3x3x5.25, 1 HP, 230V	e656S-ECM	1EF157LF	3	1	230V	1	50/60	6.8-6.4 & 6.9-6.5	350	1725	SM2128	79

Series e-60 ECM ALL BRONZE				RATED MOTOR CHARACTERISTICS								
PUMP DESCRIPTION	MODEL NUMBER	PART NUMBER	FLANGE SIZE	HP	VOLTAGE	PHASE	Hz	AMPS	MIN RPM	MAX RPM	MOTOR MODEL #	WEIGHT
SERIES e-60 ECM - 1x1x5.25, .50 HP, 115V	Be650S-ECM	1EF158LF	1	0.5	115V	1	50/60	6.1 & 6.5	350	1725	SM2126	53
SERIES e-60 ECM - 1.25x1.25x5.25, .50 HP, 115V	Be651S-ECM	1EF159LF	1.25	0.5	115V	1	50/60	6.1 & 6.5	350	1725	SM2126	55
SERIES e-60 ECM - 1x1x5.25, .50 HP, 230V	Be652S-ECM	1EF160LF	1	0.5	230V	1	50/60	3.4-3.2 & 3.5-3.3	350	1725	SM2127	53
SERIES e-60 ECM - 1.25x1.25x5.25, .50 HP, 230V	Be653S-ECM	1EF161LF	1.25	0.5	230V	1	50/60	3.4-3.2 & 3.5-3.3	350	1725	SM2127	55
SERIES e-60 ECM - 1.5x1.5x5.25, 1 HP, 230V	Be654S-ECM	1EF162LF	1.5	1	230V	1	50/60	6.8-6.4 & 6.9-6.5	350	1725	SM2128	59
SERIES e-60 ECM - 2x2x5.25, 1 HP, 230V	Be655S-ECM	1EF163LF	2	1	230V	1	50/60	6.8-6.4 & 6.9-6.5	350	1725	SM2128	65
SERIES e-60 ECM - 3x3x5.25, 1 HP, 230V	Be656S-ECM	1EF164LF	3	1	230V	1	50/60	6.8-6.4 & 6.9-6.5	350	1725	SM2128	79

Series e-60 WITH ECM BRONZE FITTED	PUMP DIMENSIONS IN INCHES (MM)													
	A	D	E	F	G	H	K	L	M	N	P	R	S	T
1EF151LF	8.31 (211)	2.94 (75)	10.78 (274)	6.44 (164)	3.44 (87)	20.66 (525)	3.62 (92)	1.38 (35)	2.5 (64)	7.5 (191)	0.69 (18)	5 (127)	6 (152)	11 (279)
1EF152LF	8.31 (211)	2.94 (75)	10.78 (274)	6.44 (164)	3.44 (87)	20.66 (525)	3.62 (92)	1.38 (35)	2.5 (64)	7.5 (191)	0.75 (19)	5 (127)	6 (152)	11 (279)
1EF153LF	8.31 (211)	2.94 (75)	10.78 (274)	6.44 (164)	3.44 (87)	20.66 (525)	3.62 (92)	1.38 (35)	2.5 (64)	7.5 (191)	0.69 (18)	5 (127)	6 (152)	11 (279)
1EF154LF	8.31 (211)	2.94 (75)	10.78 (274)	6.44 (164)	3.44 (87)	20.66 (525)	3.62 (92)	1.38 (35)	2.5 (64)	7.5 (191)	0.75 (19)	5 (127)	6 (152)	11 (279)
1EF155LF	8.31 (211)	2.94 (75)	10.78 (274)	6.56 (167)	3.625 (92)	21.03 (534)	3.75 (95)	1.38 (35)	2.75 (70)	7.88 (200)	0.75 (19)	5 (127)	6.5 (165)	11.5 (292)
1EF156LF	8.31 (211)	2.94 (75)	10.78 (274)	6.69 (170)	3.75 (95)	21.19 (538)	3.75 (95)	1.38 (35)	2.88 (73)	8 (203)	0.81 (21)	5 (127)	6.5 (165)	11.5 (292)
1EF157LF	8.31 (211)	2.94 (75)	10.78 (274)	6.69 (170)	3.5 (89)	20.81 (529)	3.75 (95)	1.38 (35)	2.88 (73)	8 (203)	1.06 (27)	5 (127)	6.25 (159)	12 (305)

Series e-60 WITH ECM ALL BRONZE	PUMP DIMENSIONS IN INCHES (MM)													
	A	D	E	F	G	H	K	L	M	N	P	R	S	T
1EF158LF	8.31 (211)	2.94 (75)	10.78 (274)	6.44 (164)	3.44 (87)	20.66 (525)	3.62 (92)	1.38 (35)	2.5 (64)	7.5 (191)	0.69 (18)	5 (127)	6 (152)	11 (279)
1EF159LF	8.31 (211)	2.94 (75)	10.78 (274)	6.44 (164)	3.44 (87)	20.66 (525)	3.62 (92)	1.38 (35)	2.5 (64)	7.5 (191)	0.75 (19)	5 (127)	6 (152)	11 (279)

1EF160LF	8.31 (211)	2.94 (75)	10.78 (274)	6.44 (164)	3.44 (87)	20.66 (525)	3.62 (92)	1.38 (35)	2.5 (64)	7.5 (191)	0.69 (18)	5 (127)	6 (152)	11 (279)
1EF161LF	8.31 (211)	2.94 (75)	10.78 (274)	6.44 (164)	3.44 (87)	20.66 (525)	3.62 (92)	1.38 (35)	2.5 (64)	7.5 (191)	0.75 (19)	5 (127)	6 (152)	11 (279)
1EF162LF	8.31 (211)	2.94 (75)	10.78 (274)	6.56 (167)	3.625 (92)	21.03 (534)	3.75 (95)	1.38 (35)	2.75 (70)	7.88 (200)	0.75 (19)	5 (127)	6.5 (165)	11.5 (292)
1EF163LF	8.31 (211)	2.94 (75)	10.78 (274)	6.69 (170)	3.75 (95)	21.19 (538)	3.75 (95)	1.38 (35)	2.88 (73)	8 (203)	0.81 (21)	5 (127)	6.5 (165)	11.5 (292)
1EF164LF	8.31 (211)	2.94 (75)	10.78 (274)	6.69 (170)	3.5 (89)	20.81 (529)	3.75 (95)	1.38 (35)	2.88 (73)	8 (203)	1.06 (27)	5 (127)	6.25 (159)	12 (305)

DESCRIPTION

The Series e-60 is a maintenance-free cast iron pump engineered for HVAC systems.

The newly incorporated electronically commutated motor (ECM), delivers smooth, quiet, consistent operating performance.

INPUT SIGNALS

- Onboard variable speed control potentiometer allows up to 5/1 turndown
- Adjust pump speed to satisfy specific hydraulic requirements to avoid over or under pumping
- Allows for an adjustable minimum speed to establish specific operating speed ranges

REMOTE BUILDING MANAGEMENT SYSTEM

CAPABILITIES

- 0-10VDC input allows speed control from BMS or analog output controller
- Allows pump speed to be regulated by an external controller

Hydraulic Curve Performance Range e-60 ECM

