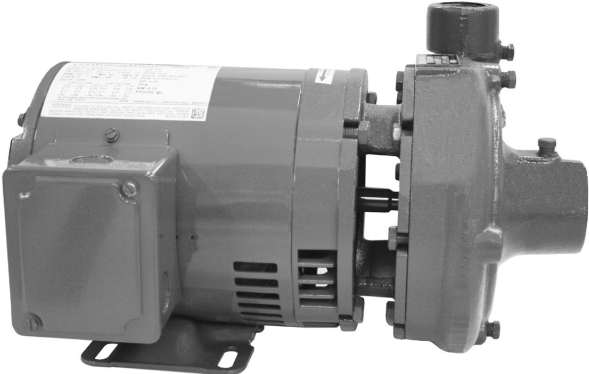


Series e-1535

Close Coupled Centrifugal Pumps

Replacement Parts





Index

How to use this Parts List..... Page 3

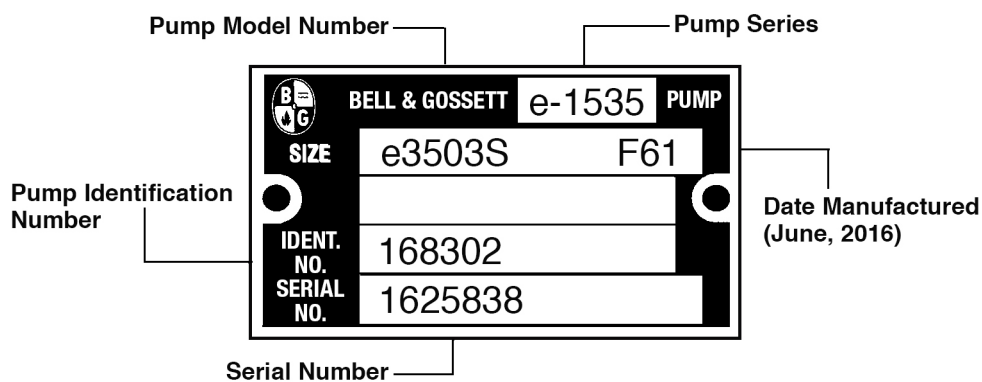
e-1535 Pump Exploded View..... Page 4

Replacement Parts for Stock Pumps..... Page 5-6

Replacement Parts for BTO Pumps..... Page 7

How to use this PARTS LIST

The pump nameplate identifies the pump series, pump model number and identification number as shown below.

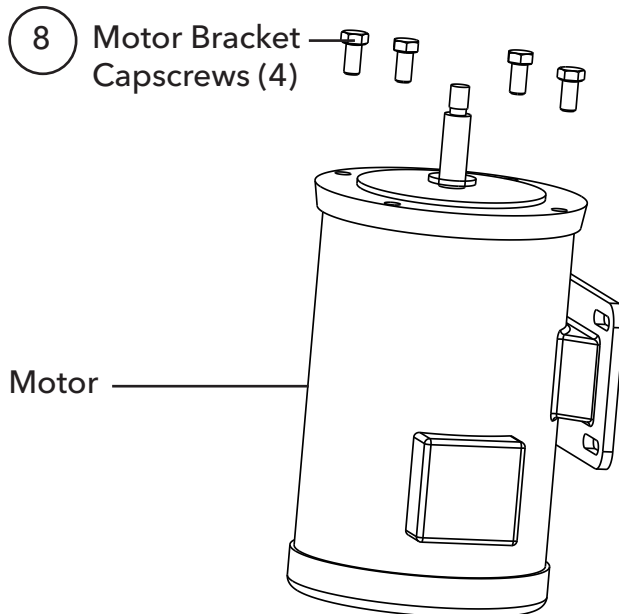
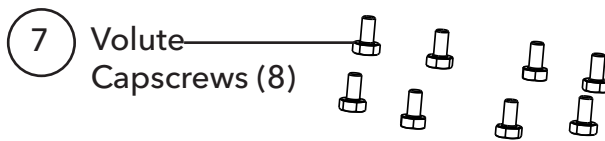
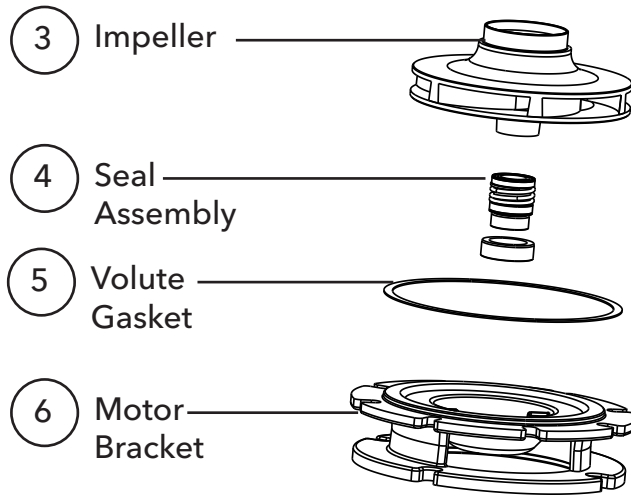
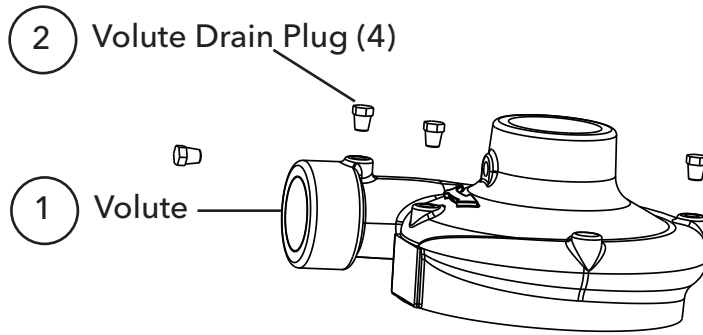


The nameplate above identifies the pump as a e-1535, model number e3503s, with an identification number of 168023. The serial number specifically identifies the unit for future reference. **DO NOT REMOVE THE NAMEPLATE.** It is important when ordering replacement parts to furnish complete nameplate data.

To ensure the correct parts will be selected, follow the procedure below:

1. Determine from the nameplate the pump series and the pump model number.
2. Refer to the index for the page number of the parts breakdown for the specific model pump.
3. Find the proper column in the parts breakdown for the model number involved.
4. Select parts numbers using the drawing on page 4 for parts identification.
5. When replacing the motor, secure all information from the motor nameplate and use to select the proper motor. Always supply complete motor nameplate data when ordering replacement motors.

Series e-1535 Pump Exploded View



e-1535 STOCK PUMPS**.75AAC STOCK PUMPS**

ITEM NO.	DESCRIPTION	e3501	e3502	e3503	e3517	e3504
1	Volute	P41110	P41110	P41110	P41110	P41110
2	Volute Drain Plug (4)	P39020	P39020	P39020	P39020	P39020
5	Volute Gasket	P57410	P57410	P57410	P57410	P57410
7	Volute Capscrew (8)	P10359	P10359	P10359	P10359	P10359
3	Impeller(Brz)	P2001376	P2000812	P2001372	P2001389	P2000812
4	Seal Assembly	P2000805	P2000805	P2000805	P2000805	P2000805
6	Motor Bracket	P2001335	P2001335	P2001335	P2001335	P2001335
8	Motor Bracket Capscrew (4)	DJ0063	DJ0063	DJ0063	DJ0063	DJ0063

1AAC STOCK PUMPS

ITEM NO.	DESCRIPTION	e3505	e3506	e3507	e3508
1	Volute	P41140	P41140	P41140	P41140
2	Volute Drain Plug (4)	P39020	P39020	P39020	P39020
5	Volute Gasket	P57410	P57410	P57410	P57410
7	Volute Capscrew (8)	P10359	P10359	P10359	P10359
3	Impeller(Brz)	P2001376	P2000812	P2001372	P2000812
4	Seal Assembly	P2000805	P2000805	P2000805	P2000805
6	Motor Bracket	P2001335	P2001335	P2001335	P2001335
8	Motor Bracket Capscrew (4)	DJ0063	DJ0063	DJ0063	DJ0063

1.25AAC STOCK PUMPS

ITEM NO.	DESCRIPTION	e3509	e3510	e3511	e3512
1	Volute	P41280	P41280	P41280	P41280
2	Volute Drain Plug (4)	P39020	P39020	P39020	P39020
5	Volute Gasket	P57410	P57410	P57410	P57410
7	Volute Capscrew (8)	P10359	P10359	P10359	P10359
3	Impeller(Brz)	P2001366	P2000814	P2001367	P2000814
4	Seal Assembly	P2000805	P2000805	P2000805	P2000805
6	Motor Bracket	P2001335	P2001335	P2001335	P2001335
8	Motor Bracket Capscrew (4)	DJ0063	DJ0063	DJ0063	DJ0063

Factory Recommended Spare Parts

1.5AAC STOCK PUMPS

ITEM NO.	DESCRIPTION	e3513	e3514	e3515	e3516
1	Volute	P41650	P41650	P41650	P41650
2	Volute Drain Plug (4)	P39020	P39020	P39020	P39020
5	Volute Gasket	P57410	P57410	P57410	P57410
7	Volute Capscrew (8)	P10359	P10359	P10359	P10359
3	Impeller(Brz)	P2002571	P2000818	P2002572	P2002570
4	Seal Assembly	P2000805	P2000805	P2000805	P2000805
6	Motor Bracket	P2001335	P2001335	P2001335	P2001335
8	Motor Bracket Capscrew (4)	DJ0063	DJ0063	DJ0063	DJ0063

REPLACEMENT MOTORS

PUMP MODEL	PUMP SIZE	IMPELLER DIAMETER	1 PHASE	3 PHASE	HP
e3501S	.75AAC	5"	SM2093		1/4
e3502S	.75AAC	5.25"	SM2094		1/3
e3503S & e3503T	.75AAC	4.5"	SM2087	SM2104	1 1/2
e3517S & e3517T	.75AAC	4.8"	SM2088	SM2105	2
e3504S & e3504T	.75AAC	5.25"	SM2089	SM2106	3
e3505S	1AAC	5"	SM2094		1/3
e3506S & e3506T	1AAC	5.25"	SM2081	SM2108	1/2
e3507S & e3507T	1AAC	4.5"	SM2088	SM2105	2
e3508S & e3508T	1AAC	5.25"	SM2089	SM2106	3
e3509S & e3509T	1.25AAC	5"	SM2081	SM2108	1/2
e3510S & e3510T	1.25AAC	5.25"	SM2083	SM2109	3/4
e3511S & e3511T	1.25AAC	4.5"	SM2089	SM2106	3
e3512T	1.25AAC	5.25"		SM2107	5
e3513S & e3513T	1.5AAC	4.75"	SM2081	SM2108	1/2
e3514S & e3514T	1.5AAC	5.25"	SM2083	SM2109	3/4
e3515S & e3515T	1.5AAC	4.38"	SM2089	SM2106	3
e3516T	1.5AAC	5.12"		SM2107	5

 Factory Recommended Spare Parts

e-1535 BTO Pumps

ITEM NO.	DESCRIPTION	.75 AAC		1AAC	
		BRONZE FITTED	ALL BRONZE	BRONZE FITTED	ALL BRONZE
1	Volute	P41110	P2000026	P41140	P2000016
2	Volute Drain Plug	P39020	P39470	P39020	P39470
7	Volute Capscrew (8)	P10359	P10359	P10359	P10359
5	Volute Gasket	P57410	P57410	P57410	P57410
3	Impeller	P2000812	P2000812	P2000812	P2000812
4	Seal (EPR/C/SiC)	P2000805	P2000805	P2000805	P2000805
4	Seal (FKM/C/SiC)	P2000806	P2000806	P2000806	P2000806
4	Seal (E/GSiC/GSiC)	P2000807	P2000807	P2000807	P2000807
6	Motor Brkt/Coverplate	P2001335	P2001318	P2001335	P2001318
6	Motor Brkt/Coverplate -F	P2001360	P2001359	P2001360	P2001359
8	Motor Bracket Capscrew (4)	DJ0063	DJ0063	DJ0063	DJ0063

ITEM NO.	DESCRIPTION	1.25AAC		1.5AAC	
		BRONZE FITTED	ALL BRONZE	BRONZE FITTED	ALL BRONZE
1	Volute	P41280	P2000018	P41650	P2000028
2	Volute Drain Plug	P39020	P39470	P39020	P39470
7	Volute Capscrew (8)	P10359	P10359	P10359	P10359
5	Volute Gasket	P57410	P57410	P57410	P57410
3	Impeller	P2000814	P2000814	P2000818	P2000818
4	Seal (EPR/C/SiC)	P2000805	P2000805	P2000805	P2000805
4	Seal (FKM/C/SiC)	P2000806	P2000806	P2000806	P2000806
4	Seal (E/GSiC/GSiC)	P2000807	P2000807	P2000807	P2000807
6	Motor Brkt/Coverplate	P2001335	P2001318	P2001335	P2001318
6	Motor Brkt/Coverplate -F	P2001360	P2001359	P2001360	P2001359
8	Motor Bracket Capscrew (4)	DJ0063	DJ0063	DJ0063	DJ0063

 Factory Recommended Spare Parts

Xylem |'zīləm|

- 1) The tissue in plants that brings water upward from the roots;
- 2) a leading global water technology company.

We're a global team unified in a common purpose: creating advanced technology solutions to the world's water challenges. Developing new technologies that will improve the way water is used, conserved, and re-used in the future is central to our work. Our products and services move, treat, analyze, monitor and return water to the environment, in public utility, industrial, residential and commercial building services, and agricultural settings. With its October 2016 acquisition of Sensus, Xylem added smart metering, network technologies and advanced data analytics for water, gas and electric utilities to its portfolio of solutions. In more than 150 countries, we have strong, long-standing relationships with customers who know us for our powerful combination of leading product brands and applications expertise with a strong focus on developing comprehensive, sustainable solutions.

For more information on how Xylem can help you, go to www.xyleminc.com

We value your feedback. Please take our 3 question survey at **bellgossett.com/survey** to let us know how we are doing.



Xylem Inc.
8200 N. Austin Avenue
Morton Grove, Illinois 60053
Phone: (847) 966-3700
Fax: (847) 965-8379
www.bellgossett.com

Bell & Gossett is a trademark of Xylem Inc. or one of its subsidiaries.
© 2016 Xylem Inc. CP-210-PL December 2016