

Parts list

Series 4302 dualArm Vertical In-line pumps

File No: 6043D.101
Date: SEPTEMBER 03, 2013
Supersedes: 6043D.101
Date: SEPTEMBER 27, 2005

Model 4302

dualArm Vertical in-line pump - Split coupling

TC MOTORS - SINGLE SUCTION

All shaft and mechanical seal sizes

DUALARM SIZE	GROUP NO.	FRAMES										TECHNICAL DATA	
		143	182	213	254	284	324	364	404	444	447	SEAL SIZE (inch)	IMPELLER BORE (inch)
		145	184	215	256	286	326	365	405	445	449		
3 × 3 × 6	1	TC										1.125	0.875
3 × 3 × 6	2		TC									1.125	0.875
3 × 3 × 6	3			TC								1.125	0.875
4 × 4 × 6	1	TC										1.125	0.875
4 × 4 × 6	2		TC									1.125	0.875
4 × 4 × 6	3			TC								1.125	0.875
6 × 6 × 6	1	TC										1.125	0.875
6 × 6 × 6	2		TC									1.125	0.875
6 × 6 × 6	3			TC								1.125	0.875
6 × 6 × 6	4				TC							1.125	0.875
3 × 3 × 8	1	TC										1.125	0.875
3 × 3 × 8	2		TC									1.125	0.875
3 × 3 × 8	3			TC								1.125	0.875
3 × 3 × 8	4				TC							1.125	0.875
3 × 3 × 8	5					TSC						1.625	1.25
4 × 4 × 8	1	TC										1.125	0.875
4 × 4 × 8	2		TC									1.125	0.875
4 × 4 × 8	3			TC								1.125	0.875
4 × 4 × 8	4				TC							1.125	0.875
4 × 4 × 8	5					TSC						1.625	1.25
4 × 4 × 8	6						TSC					1.625	1.25
6 × 6 × 8	1	TC										1.125	0.875
6 × 6 × 8	2		TC									1.125	0.875
6 × 6 × 8	3			TC								1.125	0.875
6 × 6 × 8	4				TC							1.125	0.875
6 × 6 × 8	5					TSC						1.625	1.25
6 × 6 × 8	6						TSC	TSC				1.625	1.25
8 × 8 × 8	2		TC									1.125	0.875
8 × 8 × 8	3			TC								1.125	0.875
8 × 8 × 8	4				TC							1.125	0.875

Model 4302

dualArm Vertical in-line pump - Split coupling

TC MOTORS - SINGLE SUCTION

All shaft and mechanical seal sizes

DUALARM PUMP SIZE	GROUP NO.	FRAMES										TECHNICAL DATA	
		143	182	213	254	284	324	364	404	444	447	SEAL SIZE (INCH)	IMPELLER BORE (INCH)
		145	184	215	256	286	326	365	405	445	449		
3 × 3 × 10	1	TC										1.125	0.875
3 × 3 × 10	2		TC									1.125	0.875
3 × 3 × 10	3			TC								1.125	0.875
3 × 3 × 10	4				TC							1.125	0.875
3 × 3 × 10	5					TSC						1.625	1.25
3 × 3 × 10	6						TSC	TSC				1.625	1.25
4 × 4 × 10	2		TC									1.125	0.875
4 × 4 × 10	3			TC								1.125	0.875
4 × 4 × 10	4				TC							1.125	0.875
4 × 4 × 10	5					TSC						1.625	1.25
4 × 4 × 10	6						TSC	TSC				1.625	1.25
6 × 6 × 10	3			TC								1.125	0.875
6 × 6 × 10	4				TC							1.125	0.875
6 × 6 × 10	5					TSC						1.625	1.25
6 × 6 × 10	6						TSC	TSC				1.625	1.25

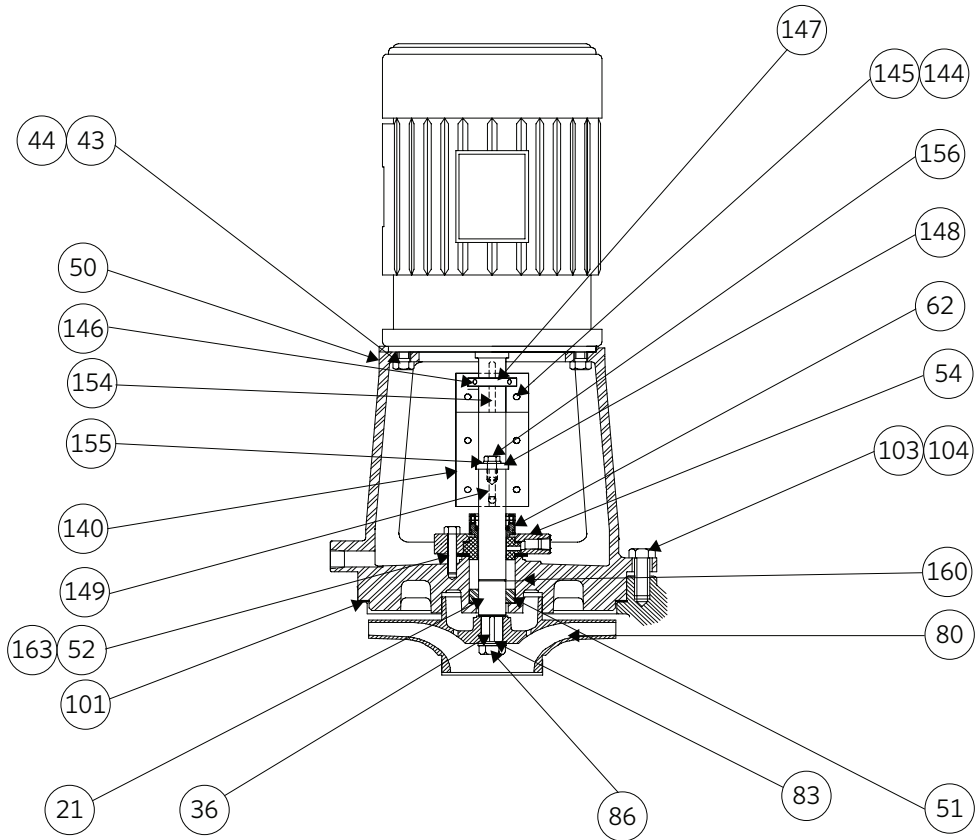
4302 GROUP NO.	1	2	3	4	5	6
Seal size and pump shaft diameter	1.125	1.125	1.125	1.125	1.625	1.625
Impeller bore	0.875	0.875	0.875	0.875	1.250	1.250
Motor shaft diameter	0.875	1.125	1.375	1.625	1.625	1.875
Pump shaft diameter	1.125	1.125	1.125	1.125	1.625	1.625
Shaft gap between pump and motor	1.375	2.50	2.00	1.375	2.750	2.875

Model 4302

dualArm Vertical in-line pump - Split coupling

CROSS SECTION VIEW

All shaft and mechanical seal sizes

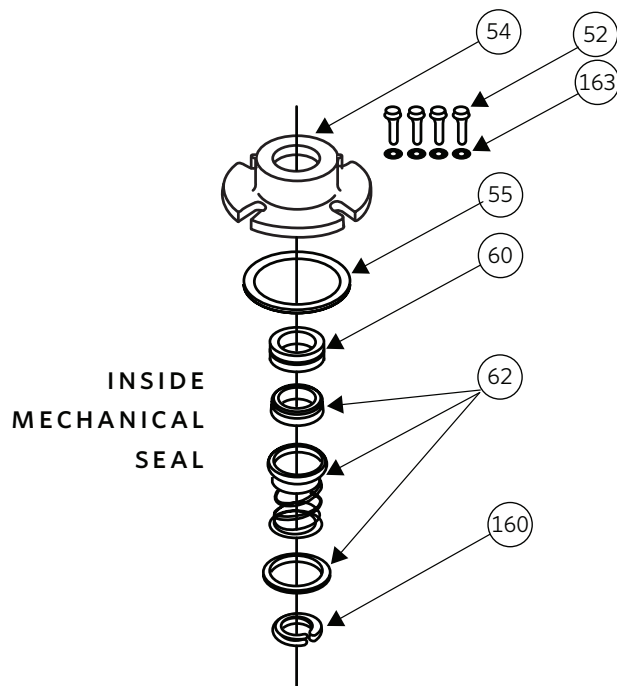
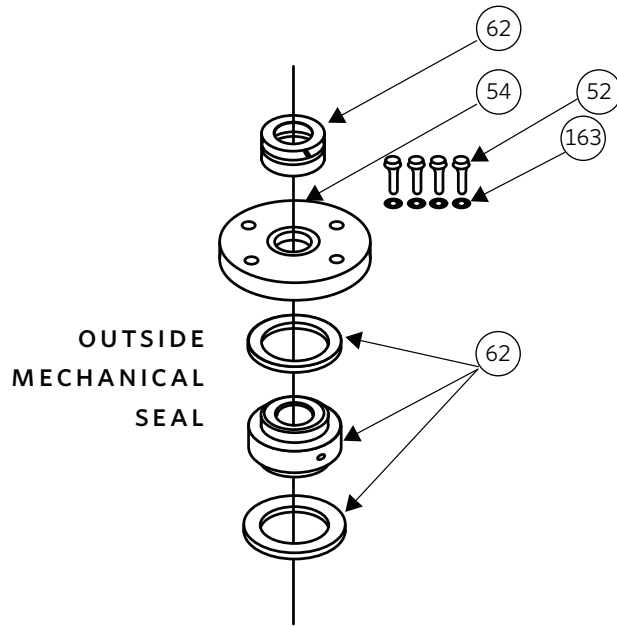


Model 4302

dualArm Vertical in-line pump - Split coupling

MECHANICAL SEAL EXPLODED VIEWS

All shaft and mechanical seal sizes



ITEM NO.	DESCRIPTION	PAGE NUMBER
21	Shaft	17 & 18
36	Impeller key	17 & 18
43	Motor lockwasher	12
44	Motor capscrew	12
50	Pedestal	9 & 10
51	Seal chamber bushing	17 & 18
52	Seal cover capscrew	20
54	Seal cover	19 & 20
55	Gasket (inside seal cover)	20
62	Outside mech. Seal Armstrong Std s.c.	19 & 20
62	Outside mech. Seal John Crane std.	19 & 20
62	Outside mech. Seal John Crane T.C.	19 & 20
62	Outside mech. Seal Dura std.	19 & 20
62	Outside mech. Seal Dura T.C.	19 & 20
62	Inside mech. Seal HD. B.F. & A.I. Const.	19 & 20
80	Impeller	7
83	Impeller washer	17 & 18
86	Impeller capscrew	17
101	Casing gasket	8
103	Casing washers (Capscrews)	19
104	Casing capscrew	19
140	Coupling (split)	16
144	Coupling capscrew	17 & 18
145	Coupling lockwasher	17 & 18
146	CPLG Collar set screw	15
147	Collar- pump shaft (CPLG)	14
148	Collar-motor shaft (CPLG)	17 & 18
149	CPLG Sq. Key (pump)	17 & 18
150	Coupling guard	11
151	Coupling Guard bolt	11
152	Coupling guard nut	11
153	Coupling guard washer	11
154	Coupling key (motor)	11
155	Shaft lockwasher (capscrew)	11
156	Shaft capscrew	17 & 18
160	Inside seal retaining ring	20
163	Seal cover washers (capscrews)	20

ITEM 80 IMPELLER

0.875 impeller hub 1.125 mechanical seal

DUALARM SIZE	MATERIAL	IMPELLER BORE	MAX. DIAMETER	PART NUMBER	BAR CODE
3 × 3 × 6	BRONZE	0.875	6"	427109-041	
4 × 4 × 6	BRONZE	0.875	6"	427103-041	
6 × 6 × 6	BRONZE	0.875	6"	427115-041	
3 × 3 × 8	BRONZE	0.875	8"	427121-041	
4 × 4 × 8	BRONZE	0.875	8"	427129-041	
6 × 6 × 8	BRONZE	0.875	8"	427137-041	
8 × 8 × 8	BRONZE	0.875	8"	427139-041	
3 × 3 × 10	BRONZE	0.875	10"	427151-041	
4 × 4 × 10	BRONZE	0.875	10"	427163-041	
6 × 6 × 10	BRONZE	0.875	10"	427149-041	
8 × 8 × 10	BRONZE	0.875	10"	427153-041	

** Impeller part numbers are for full or maximum diameter impellers. Always specify Pump serial number and where possible, measure and advise the diameter of the impeller being replaced on these pumps.

ITEM 80 IMPELLER

1.25 impeller hub 1.625 mechanical seal

DUALARM SIZE	MATERIAL	IMPELLER BORE	MAX. DIAMETER	PART NUMBER	BAR CODE
3 × 3 × 8	BRONZE	1.125"	8"	427122-041	
4 × 4 × 8	BRONZE	1.125"	8"	427130-041	
6 × 6 × 8	BRONZE	1.125"	8"	427138-041	
8 × 8 × 8	BRONZE	1.125"	8"	427139-041	
3 × 3 × 10	BRONZE	1.125"	10"	427152-041	
4 × 4 × 10	BRONZE	1.125"	10"	427164-041	
6 × 6 × 10	BRONZE	1.125"	10"	427150-041	
8 × 8 × 10	BRONZE	1.125"	10"	427154-041	

** Impeller part numbers are for full or maximum diameter impellers. Always specify Pump serial number and where possible, measure and advise the diameter of the impeller being replaced on these pumps.

ITEM 101 CASING GASKET

All shaft and mechanical seal sizes

DUALARM SIZE	PART NUMBER	BAR CODE
3 × 3 × 6	426401-002	
4 × 4 × 6	426401-002	
6 × 6 × 6	426401-002	
3 × 3 × 8	426401-003	
4 × 4 × 8	426401-003	
6 × 6 × 8	426401-003	
8 × 8 × 8	426401-003	
3 × 3 × 10	426401-004	
4 × 4 × 10	426401-004	
6 × 6 × 10	426401-004	
8 × 8 × 10	426401-004	

ITEM 104 CASING CAPSCREW & WASHER

All shaft and mechanical seal sizes

DUALARM SIZE	NO. REQUIRED	SIZE	PART NUMBER	BAR CODE
3 × 3 × 6	8	CAPSCREW ½" - 13NC	911125-110	
4 × 4 × 6	—	—	—	
6 × 6 × 6	8	LOCKWASHER ½"		
3 × 3 × 8	8	HX. HD. CAPSCREW ⅝" - 11NC	911129-112	
4 × 4 × 8	—	—	—	
6 × 6 × 8	8	LOCKWASHER ⅝"	927215-100	
8 × 8 × 8	8	LOCKWASHER ⅝"	927215-100	
3 × 3 × 10	12	CAPSCREW ⅝" - 11NC	911129-112	
4 × 4 × 10	12	CAPSCREW ⅝" - 11NC	911129-112	
6 × 6 × 10	12	LOCKWASHER ⅝"	911129-114	
8 × 8 × 10	12	LOCKWASHER ⅝"	927215-100	

ITEM 50 PEDESTAL (COMBO MTR BRACKET/STUFFING BOX)

0.875 impeller hub 1.125 mechanical seal

DUALARM SIZE	MOTOR FRAME SIZE	MATERIAL	PART NUMBER	BAR CODE
3 × 3 × 6 4 × 4 × 6 6 × 6 × 6	143 - 145TC	CAST IRON	427700-011	
	143 - 145TC	CAST IRON	427700-011	
	182 - 256TC	CAST IRON	427703-011	
3 × 3 × 8	143 - 145TC	CAST IRON	427701-011	
4 × 4 × 8	143 - 145TC	CAST IRON	427701-011	
6 × 6 × 8*	143 - 145TC	CAST IRON	427701-011	
8 × 8 × 8	182 - 256TC	CAST IRON	427704-011	
3 × 3 × 10	143 - 145TC	CAST IRON	427702-011	
4 × 4 × 10	143 - 145TC	CAST IRON	427702-011	
6 × 6 × 10*	143 - 145TC	CAST IRON	427702-011	
8 × 8 × 10	182 - 256TC	CAST IRON	427705-011	
	284TSC - 286TSC 284TC - 286TC	CAST IRON	427708-011	
	284TSC - 286TSC 284TC - 286TC	CAST IRON	427708-015	
	324TSC - 326TSC - 364TSC - 365TSC 404TSC - 405TSC	CAST IRON	427711-011	
	324TSC - 326TSC - 364TSC - 365TSC 404TSC - 405TSC	CAST IRON	427711-015	

Notes:

- The above part numbers are for B.F. and D.B.F construction
- For 1.25 impeller hub - 1.625 pedestal (Combo MTR bracket/Stuffing box) see page 13

ITEM 50 PEDESTAL (COMBO MTR BRACKET/STUFFING BOX)

1.25 impeller hub 1.625 mechanical seal

DUALARM SIZE	MOTOR FRAME SIZE	MATERIAL	PART NUMBER	BAR CODE
3 × 3 × 8 4 × 4 × 8 6 × 6 × 8* 8 × 8 × 8	284TSC - 286TSC 284TC - 286TC	CAST IRON	427701-011	
	284TSC - 286TSC 284TC - 286TC	CAST IRON	427707-015	
	324TSC - 326TSC	CAST IRON	427710-011*	
	364TSC - 365TSC	CAST IRON	427710-011*	
	404TSC - 405TSC	CAST IRON	427710-011*	
	324TSC - 326TSC	CAST IRON	427710-015	
	364TSC - 365TSC	CAST IRON	427710-015	
	404TSC - 405TSC	CAST IRON	427710-015	
3 × 3 × 10 4 × 4 × 10 8 × 8 × 10	284TSC-286TSC 284TC-286TC	CAST IRON	427708-011	
	324TSC - 326TSC	CAST IRON	427711-011	
	364TSC - 365TSC	CAST IRON	427711-011	
	404TSC - 405TSC	CAST IRON	427711-011	
6 × 6 × 10	284TSC - 286TSC 284TC - 286TC	CAST IRON	427708-015	
	324TSC - 326TSC	CAST IRON	427711-015	
	364TSC - 365TSC	CAST IRON	427711-015	
	404TSC - 405TSC	CAST IRON	427711-015	

Note: The above part numbers are for B.F. and D.B.F construction

ITEM 150 COUPLING GUARD

1.25 impeller hub 1.625 mechanical seal

DUALARM SIZE	MOTOR FRAME SIZE	PART NUMBER	BAR CODE
3 × 3 × 6 4 × 4 × 6 6 × 6 × 6	143 - 145TC	427761-201 427761-601	
	182 - 256TC	427761-102 427761-502	
3 × 3 × 8 4 × 4 × 8 6 × 6 × 8 8 × 8 × 8	143 - 145TC	427761-103 427761-503	
	182 - 256TC	427761-104 427761-504	
	284TC-286TC	427761-205	
	284TSC - 286TSC	427761-605	
	324TSC - 326TSC		
	364TSC - 365TSC	427761-106 427761-506	
	404TSC - 405TSC		
3 × 3 × 10 4 × 4 × 10 6 × 6 × 10 8 × 8 × 10	143-145TC	427761-207 427761-607	
	182-256TC	427761-208 427761-608	
	284TC - 286TC	427761-109	
	284TSC - 286TSC	427761-509	
	324TSC - 326TSC		
	364TSC - 365TSC	427761-110 427761-510	
	404TSC - 405TSC		

COUPLING GUARD FASTENERS

1.25 impeller hub 1.625 mechanical seal

ITEM NO.	DESCRIPTION	NO. REQUIRED	SIZE	PART NUMBER	BAR CODE
151	BOLT - RD. HD.	2	#10-24UNC X2"	916264-132	
152	NUT	2	#10	913164-100	
153	WASHER	2	#10	927156-100	
154	BOLT-RETAINER FOR BOLT	2	#10	927507-100	
155	OPEN END RIVET NUT	2	#10-24UNC	921903-100	

ITEM 44 MOTOR CAPSCREW & ITEM 43 LOCKWASHER

1.25 impeller hub 1.625 mechanical seal

DUALARM SIZE	MOTOR FRAME SIZE	ITEM DESCRIPTION	PART NUMBER	BAR CODE	
3 × 3 × 6 4 × 4 × 6 6 × 6 × 6	143 - 145TC	CAPSCREW	911121-108		
		LOCKWASHER	927211-100		
	182 - 256TC	CAPSCREW	911125-110		
		LOCKWASHER	927213-100		
3 × 3 × 8 4 × 4 × 8 6 × 6 × 8 8 × 8 × 8	143 - 145TC	CAPSCREW	911121-108		
		LOCKWASHER	927211-100		
	182 - 256TC 284TC-286TC	CAPSCREW	911125-110		
		LOCKWASHER	927213-100		
	324TSC-326TSC 364TSC-365TSC 404TSC-405TSC	CAPSCREW	911129-112		
		LOCKWASHER	927215-100		
3 × 3 × 10 4 × 4 × 10 8 × 8 × 10	143 - 145TC	CAPSCREW	911121-108		
		LOCKWASHER	927211-100		
	182 - 256TC 284TC-286TC 284TSC-286TSC	CAPSCREW	911125-110		
		LOCKWASHER	927213-100		
	324TC-326TC 324TSC-326TSC 364TSC-365TSC 404TSC-405TSC	CAPSCREW	911129-112		
		LOCKWASHER	927215-100		
	364TC-365TC	CAPSCREW	911129-118		
		LOCKWASHER	927215-100		
	6 × 6 × 10	184TC - 254TC	CAPSCREW		
			LOCKWASHER		
324TSC-326TSC 364TSC-365TSC		CAPSCREW			
		LOCKWASHER			

ITEM 154 MOTOR KEY

DUALARM SIZE	MOTOR FRAME SIZE	PART NUMBER	BAR CODE
3 × 3 × 6 4 × 4 × 6 6 × 6 × 6	143 - 145TC	428160-708	
	182 - 256TC	428161-712	
	213-215TC	428162-115	
	254TC-256TC	428163-714	
	284TSC-286TSC		
3 × 3 × 8 4 × 4 × 8 6 × 6 × 8 8 × 8 × 8	143 - 145TC	428160-708	
	182-184TC	428161-712	
	213-215TC	428162-115	
	254TC-256TC	428163-714	
	284TSC-286TSC		
	284TC-286TC	428164-116	
	404TSC-405TSC		
	324TSC-326TSC	428164-112	
364TSC-365TSC			
3 × 3 × 10 4 × 4 × 10 6 × 6 × 10 8 × 8 × 10	143-145TC	428160-708	
	182TC-184TC	428161-712	
	213-215TC	428162-115	
	254TC-256TC	428163-714	
	284TSC-286TSC		
	284TC-286TC	428164-116	
	404TSC-405TSC		
	324TSC-326TSC	428164-112	
	364TSC-365TSC		
	324TC-326TC	428164-720	
	364TC-365TC	428165-720	

ITEM 147 MOTOR COLLAR (COUPLING)

DUALARM SIZE	MOTOR FRAME SIZE	PART NUMBER	BAR CODE
3 × 3 × 6 4 × 4 × 6 6 × 6 × 6	143 - 145TC	427748-000	
	182 - 184TC	427749-000	
	213 - 215TC	427750-000	
	254 - 256TC	427751-000	
3 × 3 × 8 4 × 4 × 8 6 × 6 × 8 8 × 8 × 8	143 - 145TC	427748-000	
	182 - 184TC	427749-000	
	213 - 215TC	427750-000	
	254TC - 256TC	427751-000	
	284TSC - 286TSC		
	284TC - 286TSC	427752-000	
	324TSC - 326TSC		
	364TSC - 365TSC		
324TC - 326TSC	427753-000		
404TSC - 405TSC			
3 × 3 × 10 4 × 4 × 10 6 × 6 × 10 8 × 8 × 10	143 - 145TC	427748-000	
	182 - 184TC	427749-000	
	213 - 215TC	427750-000	
	254TC - 256TC	427751-000	
	284TSC - 286TSC		
	284TC - 286TC	427752-000	
	324TSC - 326TSC		
	364TSC - 365TSC		
	324TC - 326TC	427753-000	
	404TSC - 405TSC		
	364TC - 365TC	427753-000	
	444TSC - 445TSC		
	447TSC - 449TSC		

ITEM 146 MOTOR COUPLER COLLAR SET SCREW

DUALARM SIZE	MOTOR FRAME SIZE	PART NUMBER	BAR CODE
TC	143TC - 145TC	916514-106	
	182TC - 184TC		
	213TC - 215TC		
TC-TSC	254TC - 256TC	916519-106	
	284TC - 286TC		
	284TSC - 286TSC		
	324TC - 326TC		
	324TSC - 326TSC		
	364TC - 365TC		
	364TSC - 365TSC		
	404TSC - 405TSC		
	444TSC - 445TSC		
	447TSC - 449TSC		
TC	404TC - 405TC	916519-108	
	444TC - 445TC		
	447TC - 449TC		

ITEM 140 COUPLING (SPLIT)

DUALARM SIZE	MOTOR FRAME SIZE	PART NUMBER	BAR CODE
3 × 3 × 6 4 × 4 × 6 6 × 6 × 6	143 - 145TC	427731-000	
	182 - 184TC	427732-000	
	213 - 215TC	427733-000	
	254 - 256TC	427734-000	
3 × 3 × 8 4 × 4 × 8 6 × 6 × 8 8 × 8 × 8	143 - 145TC	427731-000	
	182 - 184TC	427732-000	
	213 - 215TC	427733-000	
	254 - 256TC	427734-000	
	284TSC - 286TSC	427735-000	
	324TSC - 326TSC	427737-000	
	364TSC - 365TSC		
404TSC - 405TSC	427740-000		
3 × 3 × 10 4 × 4 × 10 6 × 6 × 10 8 × 8 × 10	143 - 145TC	427731-000	
	182 - 184TC	427732-000	
	213 - 215TC	427733-000	
	254 - 256TC	427734-000	
	284TSC - 286TSC	427735-000	
	284TC - 286TC	427736-000	
	324TSC - 326TSC	427737-000	
	364TSC - 365TSC		
	324TC - 326TC	427738-000	
	364TC - 365TC	427739-000	
	404TSC - 405TSC	427740-000	

COMMON PARTS, ALL CONSTRUCTIONS

0.875 impeller hub 1.125 mechanical seal

ITEM NUMBER	DESCRIPTION	PART NUMBER	BAR CODE
21	1 1/8" PUMP SHAFT	427713-000	
36	IMPELLER KEY	428160-708	
51	SEAL CHAMBER BUSHING	425520-002	
83	IMPELLER WASHER	425742-001	
86	IMPELLER CAPSCREW	911900-114	
144	COUPLING CAPSCREW (6 REQ'D) FRAMES 143 TO 215TC	911819-112	
144	COUPLING CAPSCREW (6 REQ'D) FRAMES 254TC-256TC, 284TSC-286TSC 284TC-286TC 324TSC-326TSC 364TSC-365TSC	911819-112	
144	COUPLING CAPSCREW (6 REQ'D) FRAMES 254TC-256TC, 284TSC-286TSC 284TC-286TC 324TSC-326TSC 364TSC-365TSC	911821-118	
145	CPLG LOCKWASHER (FOR ITEM 144) FRAMES 143 TO 215TC (6 REQ'D)	927210-100	
145	CPLG LOCKWASHER (FOR ITEM 144) FRAME 254TC-256TC 284TSC-286TSC 284TC-286TC 324TC-326TC 364TC-365TC 324TSC-326TSC 364TSC-365TSC 404TSC-405TSC	927211-100	
148	SHAFT COLLAR (COUPLING)	427756-000	
149	KEY-PUMP SHAFT (CPLG)	428161-106	
155	SHAFT COLLAR LOCKWASHER (CPLG)	927211-400	
156	SHAFT COLLAR CAPSCREW (CPLG)	911121-106	

COMMON PARTS, ALL CONSTRUCTIONS

1.25 impeller hub 1.625 mechanical seal

ITEM NUMBER	DESCRIPTION	PART NUMBER	BAR CODE
21	1 $\frac{5}{8}$ " PUMP SHAFT	427714-000	
36	IMPELLER KEY	428161-714	
51	SEAL CHAMBER BUSHING	425520-001	
83	IMPELLER WASHER	425742-003	
86	IMPELLER CAPSCREW	911900-119	
144	COUPLING CAPSCREW (6 REQ'D) FRAMES 182TC-184TC 213TC-215TC 254TC-256TC 284TC-286TC 284TSC-286TSC 324TSC-326TSC 364TSC-365TSC	911821-116	
144	COUPLING CAPSCREW (6 REQ'D) FRAMES 143TC-145TC 182TC-184TC 213TC-215TC	911819-112	
144	COUPLING CAPSCREW (6 REQ'D) FRAMES 324TC-326TC 364TC-365TC 404TSC-405TSC 444TSC-445TSC 447TSC-449TSC	911821-118	
145	CPLG LOCKWASHER (FOR ITEM 144) FRAMES 143TC-145TC 182TC-184TC 213TC-215TC	927210-100	
145	CPLG LOCKWASHER (FOR ITEM 144) FRAME 254TC-256TC 284TC-286TC 284TSC-286TSC 324TC-326TC 324TSC-326TSC 364TC-365TC 364TSC-365TSC 404TSC-405TSC	927211-100	
148	SHAFT COLLAR (COUPLING)	427757-000	
149	KEY-PUMP SHAFT (CPLG)	428163-712	
155	SHAFT COLLAR LOCKWASHER (CPLG)	927213-400	
156	SHAFT COLLAR CAPSCREW (CPLG)	911125-108	

PARTS FOR 1.125" OUTSIDE SEAL

0.875 impeller hub 1.125 mechanical seal

ITEM NUMBER	DESCRIPTION	CONSTRUCTION	PART NUMBER	BAR CODE
62	MECHANICAL SEAL	ALL	975002-304	
	ARMSTRONG SEAL			
	DURAMETALLIC STD.	ALL	975002-003	
	DURAMETALLIC T.C.	ALL	975002-001	
	JOHN CRANE STD.	ALL	975000-955	
	JOHN CRANE T.C.	ALL	975000-965	
103	CAPSCREW - 4 REQ'D 3/8-16UNC X 1 3/4" SST	ALL	911121-414	
104	WASHER - 4 REQ'D 3/8" FLAT SST	ALL	927114-000	
104	LOCKWASHER - 4 REQ'D 3/8"	ALL	927211-400	
54	SEAL COVER	BF-DBF-AB-AI-DI	426484-003	

Note: BF - DBF - Denotes bronze fitted - ductile bronze fitted

PARTS FOR 1.625" OUTSIDE SEAL

1.25 impeller hub 1.625 mechanical seal

ITEM NUMBER	DESCRIPTION	CONSTRUCTION	PART NUMBER	BAR CODE
62	MECHANICAL SEAL	ALL	975002-334	
	ARMSTRONG SEAL			
	DURAMETALLIC STD.	ALL	975002-033	
	DURAMETALLIC T.C.	ALL	975002-031	
	JOHN CRANE STD.	ALL	975000-956	
	JOHN CRANE T.C.	ALL	975000-966	
103	CAPSCREW - 4 REQ'D 1/2-13UNC X 2" SST	ALL	911125-416	
104	WASHER - 4 REQ'D 1/2" FLAT SST	ALL	927118-000	
104	LOCKWASHER - 4 REQ'D 1/2" SST	ALL	927213-400	
54	SEAL COVER	BF-DBF-AB-AI-DI	426485-003	

Note: BF - DBF - Denotes bronze fitted - ductile bronze fitted

PARTS FOR 1.125" INSIDE SEAL ARRANGEMENT

ITEM NUMBER	DESCRIPTION	CONSTRUCTION	PART NUMBER	BAR CODE
62	MECHANICAL SEAL	ALL	810150-143	
52	CAPSCREW - 4 REQ'D 3/8-16UNC X 1" SST	ALL	911121-408	
163	WASHER - 4 REQ'D 3/8" FLAT SST	ALL	927114-000	
54	SEAL COVER	BF-DBF-AI-DI	426464-011	
		AB	426464-041	
55	GASKET	ALL	426467-001	
160	RETAINING RING	ALL	923104-434	

PARTS FOR 1.625" INSIDE SEAL ARRANGEMENT

ITEM NUMBER	DESCRIPTION	CONSTRUCTION	PART NUMBER	BAR CODE
62	MECHANICAL SEAL	ALL	810150-143	
52	CAPSCREW - 4 REQ'D 1/2-13UNC X 1 1/2" SST	ALL	911125-412	
163	WASHER - 4 REQ'D 1/2" FLAT SST	ALL	927118-100	
54	SEAL COVER	BF-DBF-AI-DI	426465-011	
		AB	426465-041	
55	GASKET	ALL	426467-002	
160	RETAINING RING	ALL	923104-442	

Note: BF - DBF - Denotes bronze fitted - ductile bronze fitted

TORONTO

+1 416 755 2291

BUFFALO

+1 716 693 8813

BIRMINGHAM

+44 (0) 8444 145 145

MANCHESTER

+44 (0) 8444 145 145

BANGALORE

+91 (0) 80 4906 3555

SHANGHAI

+86 21 3756 6696