

---

## Parts list

---

### Series 4280 closed coupled or motor mounted pump

---

**Centerline discharge**  
**"S" designation**

7/8" impeller bore

1¼" mechanical seal

**File No:** 6042.127

**Date:** MAY 31, 2013

**Supersedes:** 6042.127

**Date:** DECEMBER 21, 2011

---

**4280 POWER FRAMES: ALL SPEEDS**

SPEED	MOTOR HORSEPOWER																	
	1/4	1	1 1/2	2	3	5	7 1/2	10	15	20	25	30	30					
1150 RPM																		
1750 RPM																		
3500 RPM																		
FRAME	143JM	145JM	182JM	184JM	213JM	215JM	213JP	215JP	254JM	256JM	284JM	286JM	284JP	286JP	324JM	326JM	324JP	326JP
<b>PUMP SIZE</b>																		
1 1/2 x 1 x 6	S	S	S	S	S	S												
3 x 1 1/2 x 6	S	S	S	S	S	S	S	S										
3 x 2 x 6	S	S	S	S	S	S	S	S										
3 x 2 1/2 x 6	S	S	S	S	S	S	S	S										
4 x 3 x 6	S	S	S	S	S	S	S	S										
4 x 3 x 6W	S	S	S	S	S	S	S	S	M	M								
1 1/2 x 1 x 8	S	S	S	S	S	S	M	M										
3 x 1 1/2 x 8	S	S	S	S	S	S	M	M	M	M	M	M	M	M				
3 x 2 x 8	S	S	S	S	S	S	M	M	M	M	M	M	M	M				
3 x 2 1/2 x 8	S	S	S	S	S	S	M	M	M	M	M	M	M	M				
4 x 3 x 8	S	S	S	S	S	S	M	M	M	M	M	M	M	M				
5 x 4 x 8	S	S	S	S	S	S	M	M	M	M	M	M	M	M				
6 x 4 x 8	S	S	S	S	S	S	M	M	M	M	M	M	M	M				
8 x 8 x 8	S	S	S	S	S	S	M	M	M	M	M	M	M	M				
2 x 1 x 10	S	S	S	S	S	S	M	M	M	M	M	M	M	M				
2 x 1 1/2 x 10	S	S	S	S	S	S	M	M	M	M	M	M	M	M				
3 x 1 1/2 x 10	S	S	S	S	S	S	M	M	M	M	M	M	M	M				
3 x 2 x 10	S	S	S	S	S	S	M	M	M	M	M	M	M	M				
3 x 2 1/2 x 10	S	S	S	S	S	S	M	M	M	M	M	M	M	M				
4 x 3 x 10	S	S	S	S	S	S	M	M	M	M	M	M	M	M				
5 x 4 x 10							M	M	M	M	M	M	M	M				
6 x 4 x 10							M	M	M	M	M	M	M	M				
8 x 6 x 10							M	M	M	M	M	M	M	M				
4 x 3 x 11 1/2				S			M	M	M	M	M	M	M	M				
5 x 4 x 11 1/2							M	M	M	M	M	M	M	M				
6 x 5 x 11 1/2							M	M	M	M	M	M	M	M				
8 x 6 x 11 1/2							M	M	M	M	M	M	M	M				
3 x 1 1/2 x 13							M	M	M	M	M	M	M	M				
3 x 2 x 13							M	M	M	M	M	M	M	M				
4 x 3 x 13							M	M	M	M	M	M	M	M				
6 x 4 x 13							M	M	M	M	M	M	M	M				
6 x 4 x 13H							M	M	M	M	M	M	M	M				
6 x 5 x 13							M	M	M	M	M	M	M	M				
6 x 5 x 13H							M	M	M	M	M	M	M	M				
8 x 6 x 13							M	M	M	M	M	M	M	M				

"S" DESIGNATION - 7/8" IMPELLER BORE, 1 1/4" MECHANICAL SEAL  
 "M" DESIGNATION - 1 1/4" IMPELLER BORE, 1 5/8" MECHANICAL SEAL

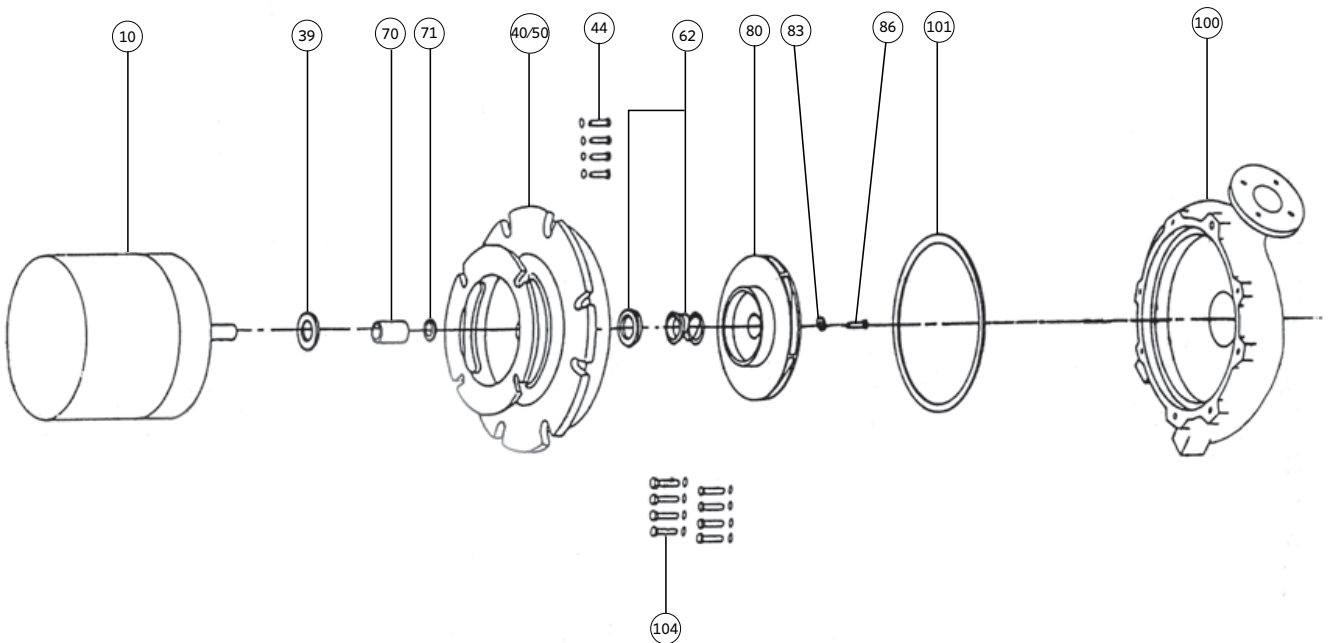
# Model 4280

4280 New style center line discharge, close coupled/ motor mounted pump

"S" DESIGNATION

7/8" IMPELLER BORE - 1 1/4" MECHANICAL SEAL

Exploded View



## INDEX

ITEM	DESCRIPTION	PAGE	ITEM	DESCRIPTION	PAGE	ITEM	DESCRIPTION	PAGE
39	Water slinger	14	62	Mechanical seal	14	83	Impeller washer	14
44	Motor capscrew	12	70	Shaft sleeve	14	86	Impeller capscrew	14
40/50	Adapter/Stuffing box BF	8	71	Shaft sleeve spacer	14	100	Casing	7
40/50	Adapter/Stuffing box AB	9	70/71	Shaft sleeve kit	14	101	Casing gasket	3 & 4
40/50	Adapter/Stuffing box DI	10	80	Impeller	6 & 7	104	Adapt. stuff. box capscrews	13

4

# Model 4280

## Centerline discharge

"S" SIZE  $\frac{7}{8}$ " IMPELLER BORE -  $1\frac{1}{4}$ " MECHANICAL SEAL

### ITEM 100 CASING

PUMP SIZE	CONSTRUCTION	PART NUMBER	BAR CODE
1½ x 1 x 6	BF	426101-011	
1½ x 1 x 6	AB	426101-041	
1½ x 1 x 6	AI - DI	426102-031	
3 x 1½ x 6	BF	426597-011	
3 x 1½ x 6	AB	426597-041	
3 x 1½ x 6	AI - DI	426598-031	
3 x 2 x 6	BF	426109-011	
3 x 2 x 6	AB	426109-041	
3 x 2 x 6	AI - DI	426110-031	
3 x 2½ x 6	BF	427107-011	
3 x 2½ x 6	AB	427107-041	
3 x 2½ x 6	AI - DI	427108-031	
4 x 3 x 6	BF	427292-011	
4 x 3 x 6	AB	427292-041	
4 x 3 x 6	AI - DI	427293-031	
1½ x 1 x 8	BF	426188-011	
1½ x 1 x 8	AB	426188-041	
1½ x 1 x 8	AI - DI	426189-031	
3 x 1½ x 8	BF	426599-011	
3 x 1½ x 8	AB	426599-041	
3 x 1½ x 8	AI - DI	426600-031	
3 x 2 x 8	BF	426125-011	
3 x 2 x 8	AB	426125-041	
3 x 2 x 8	AI - DI	426126-031	
3 x 2½ x 8	BF	427236-011	
3 x 2½ x 8	AB	427236-041	
3 x 2½ x 8	AI - DI	427237-031	
4 x 3 x 8	BF	426129-011	
4 x 3 x 8	AB	426129-041	
4 x 3 x 8	AI - DI	426130-031	
5 x 4 x 8	BF	426107-011	
5 x 4 x 8	AB	426107-041	
5 x 4 x 8	AI - DI	426108-031	

# Model 4280

## Centerline discharge

"S" SIZE 7/8" IMPELLER BORE - 1 1/4" MECHANICAL SEAL

### ITEM 100 CASING

PUMP SIZE	CONSTRUCTION	PART NUMBER	BAR CODE
6 x 4 x 8W	BF	426624-011	
6 x 4 x 8W	AB	426624-041	
6 x 4 x 8W	AI - DI	426625-031	
8 x 8 x 8	BF	427913-011	
8 x 8 x 8	AB	427913-041	
8 x 8 x 8	AI - DI	427913-031	
2 x 1 x 10	BF	426137-011	
2 x 1 x 10	AB	426137-041	
2 x 1 x 10	AI - DI	426138-031	
2 x 1 1/2 x 10	BF	426259-011	
2 x 1 1/2 x 10	AB	426259-041	
2 x 1 1/2 x 10	AI - DI	426260-031	
3 x 1 1/2 x 10	BF	426139-011	
3 x 1 1/2 x 10	AB	426139-041	
3 x 1 1/2 x 10	AI - DI	426140-031	
3 x 2 x 10	BF	426143-011	
3 x 2 x 10	AB	426143-041	
3 x 2 x 10	AI - DI	426144-031	
3 x 2 1/2 x 10	BF	427290-011	
3 x 2 1/2 x 10	AB	427290-041	
3 x 2 1/2 x 10	AI - DI	427291-031	
4 x 3 x 10	BF	426149-011	
4 x 3 x 10	AB	426149-041	
4 x 3 x 10	AI - DI	426150-031	
4 x 3 x 11 1/2	BF	426147-011	
4 x 3 x 11 1/2	AB	426147-041	
4 x 3 x 11 1/2	AI - DI	426148-031	

# Model 4280

## Centerline discharge

"S" SIZE  $\frac{7}{8}$ " IMPELLER BORE -  $1\frac{1}{4}$ " MECHANICAL SEAL

### ITEM 80 IMPELLER\*

PUMP SIZE	CONSTRUCTION	PART NUMBER	BAR CODE
1½ x 1 x 6	BF - AB	427101-041	
1½ x 1 x 6	DI - AI	427101-011	
3 x 1½ x 6	BF - AB	427109-041	
3 x 1½ x 6	DI - AI	427109-011	
3 x 2 x 6	BF - AB	427111-041	
3 x 2 x 6	DI - AI	427111-011	
3 x 2½ x 6	BF - AB	427103-041	
3 x 2½ x 6	DI - AI	427103-011	
4 x 3 x 6	BF - AB	427117-041	
4 x 3 x 6	DI - AI	427117-011	
1½ x 1 x 8	BF - AB	426228-041	
1½ x 1 x 8	DI - AI	426228-011	
3 x 1½ x 8	BF - AB	427121-041	
3 x 1½ x 8	DI - AI	427121-011	
3 x 2 x 8	BF - AB	427125-041	
3 x 2 x 8	DI - AI	427125-011	
3 x 2½ x 8	BF - AB	427127-041	
3 x 2½ x 8	DI - AI	427127-011	
4 x 3 x 8	BF - AB	427129-041	
4 x 3 x 8	DI - AI	427129-011	
5 x 4 x 8	BF - AB	427137-041	
5 x 4 x 8	DI - AI	427137-011	
6 x 4 x 8W	BF - AB	427137-041	
6 x 4 x 8W	DI - AI	427137-011	
8 x 8 x 8	BF - AB	427917-041	
8 x 8 x 8	DI - AI	427917-011	

# Model 4280

## Centerline discharge

"S" SIZE  $\frac{7}{8}$ " IMPELLER BORE -  $1\frac{1}{4}$ " MECHANICAL SEAL

### ITEM 80 IMPELLER\*

PUMP SIZE	CONSTRUCTION	PART NUMBER	BAR CODE
2 x 1 x 10	BF - AB	427151-041	
2 x 1 x 10	DI - AI	427151-011	
2 x 1½ x 10	BF - AB	426255-041	
2 x 1½ x 10	DI - AI	426255-011	
3 x 1½ x 10	BF - AB	427151-041	
3 x 1½ x 10	DI - AI	427151-011	
3 x 2 x 10	BF - AB	427163-041	
3 x 2 x 10	DI - AI	427163-011	
3 x 2½ x 10	BF - AB	427123-041	
3 x 2½ x 10	DI - AI	427123-011	
4 x 3 x 10	BF - AB	427149-041	
4 x 3 x 10	DI - AI	427149-011	
4 x 3 x 11½	BF - AB	426281-041	
4 x 3 x 11½	DI - AI	426281-011	

\* Impeller Part Numbers are for unbalanced, full diameter impellers. Always specify the Pump Serial Number. If possible, measure the diameter of the impeller being replaced.

# Model 4280

## Centerline discharge

"S" SIZE  $\frac{7}{8}$ " IMPELLER BORE -  $1\frac{1}{4}$ " MECHANICAL SEAL

### ITEM 40 & 50 COMB. STUFF BOX & ADAPTER

BRONZE FITTED ( BF ) & ALL IRON ( AI ) CONSTRUCTION

PUMP SIZE	MOTOR FRAME		BAR CODE
	143-184 JM	213-215 JM	
1½ x 1 x 6	426746-011		
1½ x 1 x 6		426747-011	
3 x 1½ x 6	426746-011		
3 x 1½ x 6		426747-011	
3 x 2 x 6	426746-011		
3 x 2 x 6		426747-011	
3 x 2½ x 6	426746-011		
3 x 2½ x 6		426747-011	
4 x 3 x 6	426746-011		
4 x 3 x 6		426747-011	
4 x 3 x 6w	426746-011		
4 x 3 x 6w		426747-011	
1½ x 1 x 8	426749-011		
3 x 1½ x 8	426749-011		
3 x 2 x 8	426749-011		
3 x 2½ x 8	426749-011		
4 x 3 x 8	426749-011		
5 x 4 x 8	426749-011		
6 x 4 x 8w	426749-011		
8 x 8 x 8	426749-011		
2 x 1 x 10	426753-011		
2 x 1½ x 10	426753-011		
3 x 1½ x 10	426753-011		
3 x 2 x 10	426753-011		
3 x 2½ x 10	426753-011		
4 x 3 x 10	426753-011		
4 x 3 x 11½	426741-011		



# Model 4280

## Centerline discharge

"S" SIZE  $\frac{7}{8}$ " IMPELLER BORE -  $1\frac{1}{4}$ " MECHANICAL SEAL

### ITEM 40 & 50 COMB. STUFF BOX & ADAPTER

ALL BRONZE ( AB ) CONSTRUCTION

PUMP SIZE	MOTOR FRAME		BAR CODE
	143-184 JM	213-215 JM	
1½ x 1 x 6	426746-041		
1½ x 1 x 6		426747-041	
3 x 1½ x 6	426746-041		
3 x 1½ x 6		426747-041	
3 x 2 x 6	426746-041		
3 x 2 x 6		426747-041	
3 x 2½ x 6	426746-041		
3 x 2½ x 6		426747-041	
4 x 3 x 6	426746-041		
4 x 3 x 6		426747-041	
4 x 3 x 6w	426746-041		
4 x 3 x 6w		426747-041	
1½ x 1 x 8	426749-041		
3 x 1½ x 8	426749-041		
3 x 2 x 8	426749-041		
3 x 2½ x 8	426749-041		
4 x 3 x 8	426749-041		
5 x 4 x 8	426749-041		
6 x 4 x 8w	426749-041		
8 x 8 x 8	426749-041		
2 x 1 x 10	426753-041		
2 x 1½ x 10	426753-041		
3 x 1½ x 10	426753-041		
3 x 2 x 10	426753-041		
3 x 2½ x 10	426753-041		
4 x 3 x 10	426753-041		
4 x 3 x 11½	426741-041		

# Model 4280

## Centerline discharge

"S" SIZE  $\frac{7}{8}$ " IMPELLER BORE -  $1\frac{1}{4}$ " MECHANICAL SEAL

### ITEM 40 & 50 COMB. STUFF BOX & ADAPTER

DUCTILE IRON ( DI ) CONSTRUCTION

PUMP SIZE	MOTOR FRAME		BAR CODE
	143-184 JM	213-215 JM	
1½ x 1 x 6	426746-031		
1½ x 1 x 6		426747-031	
3 x 1½ x 6	426746-031		
3 x 1½ x 6		426747-031	
3 x 2 x 6	426746-031		
3 x 2 x 6		426747-031	
3 x 2½ x 6	426746-031		
3 x 2½ x 6		426747-031	
4 x 3 x 6	426746-031		
4 x 3 x 6		426747-031	
4 x 3 x 6w	426746-031		
4 x 3 x 6w		426747-031	
1½ x 1 x 8	426749-031		
3 x 1½ x 8	426749-031		
3 x 2 x 8	426749-031		
3 x 2½ x 8	426749-031		
4 x 3 x 8	426749-031		
5 x 4 x 8	426749-031		
6 x 4 x 8w	426749-031		
8 x 8 x 8	426749-031		
2 x 1 x 10	426753-031		
2 x 1½ x 10	426753-031		
3 x 1½ x 10	426753-031		
3 x 2 x 10	426753-031		
3 x 2½ x 10	426753-031		
4 x 3 x 10	426753-031		
4 x 3 x 11½	426741-031		

# Model 4280

## Centerline discharge

"S" SIZE  $\frac{7}{8}$ " IMPELLER BORE -  $1\frac{1}{4}$ " MECHANICAL SEAL

### ITEM 101 CASING GASKET

PUMP SIZE	PART NUMBER	BAR CODE
1½ x 1 x 6	426401-002	
3 x 1½ x 6	426401-002	
3 x 2 x 6	426401-002	
3 x 2½ x 6	426401-002	
4 x 3 x 6	426401-002	
4 x 3 x 6w	426401-002	
1½ x 1 x 8	426401-003	
3 x 1½ x 8	426401-003	
3 x 2 x 8	426401-003	
3 x 2½ x 8	426401-003	
4 x 3 x 8	426401-003	
5 x 4 x 8	426401-003	
6 x 4 x 8w	426401-003	
8 x 8 x 8	426401-003	
2 x 1 x 10	426401-004	
2 x 1½ x 10	426401-004	
3 x 1½ x 10	426401-004	
3 x 2 x 10	426401-004	
3 x 2½ x 10	426401-004	
4 x 3 x 10	426401-004	
4 x 3 x 11½	426401-006	

# Model 4280

## Centerline discharge

"S" SIZE 7/8" IMPELLER BORE - 1 1/4" MECHANICAL SEAL

### ITEM 44 MOTOR CAPSCREW & WASHER

PUMP SIZE	MOTOR FRAME	
	213-215 JM	143-184 JM
	<b>4 REQUIRED</b>	<b>4 REQUIRED</b>
1 1/2 x 1 x 6	CAPSCREW 1/2"-13NCX1" PART NUMBER 911125-108	
3 x 1 1/2 x 6		
3 x 2 x 6		
3 x 2 1/2 x 6		
4 x 3 x 6		
4 x 3 x 6W		
1 1/2 x 1 x 8	CAPSCREW 3/8"NCX1" PART NUMBER 911121-108	WASHER 3/8" FLAT PART NUMBER 927113-100
3 x 1 1/2 x 8		
3 x 2 x 8		
3 x 2 1/2 x 8		
4 x 3 x 8		
5 x 4 x 8		
6 x 4 x 8W		
8 x 8 x 8		
2 x 1 x 10		
2 x 1 1/2 x 10		
3 x 1 1/2 x 10		
4 x 3 x 10		
4 x 3 x 11 1/2		

#### BAR CODES

927113-100	911121-108
927117-100	911125-108

# Model 4280

## Centerline discharge

"S" SIZE  $\frac{7}{8}$ " IMPELLER BORE -  $1\frac{1}{4}$ " MECHANICAL SEAL

### ITEM 104 CASING CAPSCREW & WASHER

PUMP SIZE	NO. REQUIRED	SIZE	PART NUMBER	BAR CODE
1½ x 1 x 6	8	CAPSCREW ½" - 13NC X 1¼" LG.	911125-110	
3 x 1½ x 6				
3 x 2 x 6				
3 x 2½ x 6	8	WASHER ½" - SAE FLAT	927117-100	
4 x 3 x 6				
4 x 3 x 6w				
1½ x 1 x 8	8	HX. HD. CAPSCREW ⅝" - 11NC X 1½" LG.	911129-112	
3 x 1½ x 8				
3 x 2 x 8				
3 x 2½ x 8				
4 x 3 x 8	8	WASHER ⅝" - SAE FLAT	927121-100	
5 x 4 x 8				
6 x 4 x 8				
8 x 8 x 8				
2 x 1 x 10	12	CAPSCREW ⅝" - 11NC X 1½" LG.	911129-112	
2 x 1½ x 10				
3 x 1½ x 10				
3 x 2 x 10	12	WASHER ⅝" - SAE FLAT	927121-100	
3 x 2½ x 10				
4 x 3 x 10				
4 x 3 x 11 ½	16	CAPSCREW ½" - 13NC X 1½" LG	911125-112	
	16	WASHER ½" - SAE FLAT	927117-100	

# Model 4280

## Centerline discharge

"S" SIZE 7/8" IMPELLER BORE - 1 1/4" MECHANICAL SEAL

### COMMON PARTS

ITEM NUMBER	DESCRIPTION	CONSTRUCTION	PART NUMBER	BAR CODE
70	SHAFT SLEEVE	BF & AB	425869-001	
70	SHAFT SLEEVE	AI	425869-002	
62K	MECHANICAL SEAL KIT	ALL	975000-982**	
71	SLEEVE SPACER	ALL	425868-005	
39	WATER SLINGER	ALL	406622-000	
83	IMPELLER WASHER	ALL	425742-001	
86	IMPELLER CAPSCREW	ALL	911900-114	

\*\* For liquids above 200°F/93°C use 9975001-813 (-613 if potable drinking water above 200°F/93°C) For glycols above 30% by weight use 9975001-817 (-818 if above 200°F/93°C)

### ITEMS 70 & 71 SHAFT SLEEVE & SPACER KITS

ITEM NUMBER	DESCRIPTION	CONSTRUCTION	PART NUMBER	BAR CODE
70 & 71	SH. SLV. & SPACER KIT	BF & AB	810150-150	
70 & 71	SH. SLV. & SPACER KIT	AI	810150-151	

#### TORONTO

+1 416 755 2291

#### BUFFALO

+1 716 693 8813

#### BIRMINGHAM

+44 (0) 8444 145 145

#### MANCHESTER

+44 (0) 8444 145 145

#### BANGALORE

+91 (0) 80 4906 3555

#### SHANGHAI

+86 21 3756 6696