

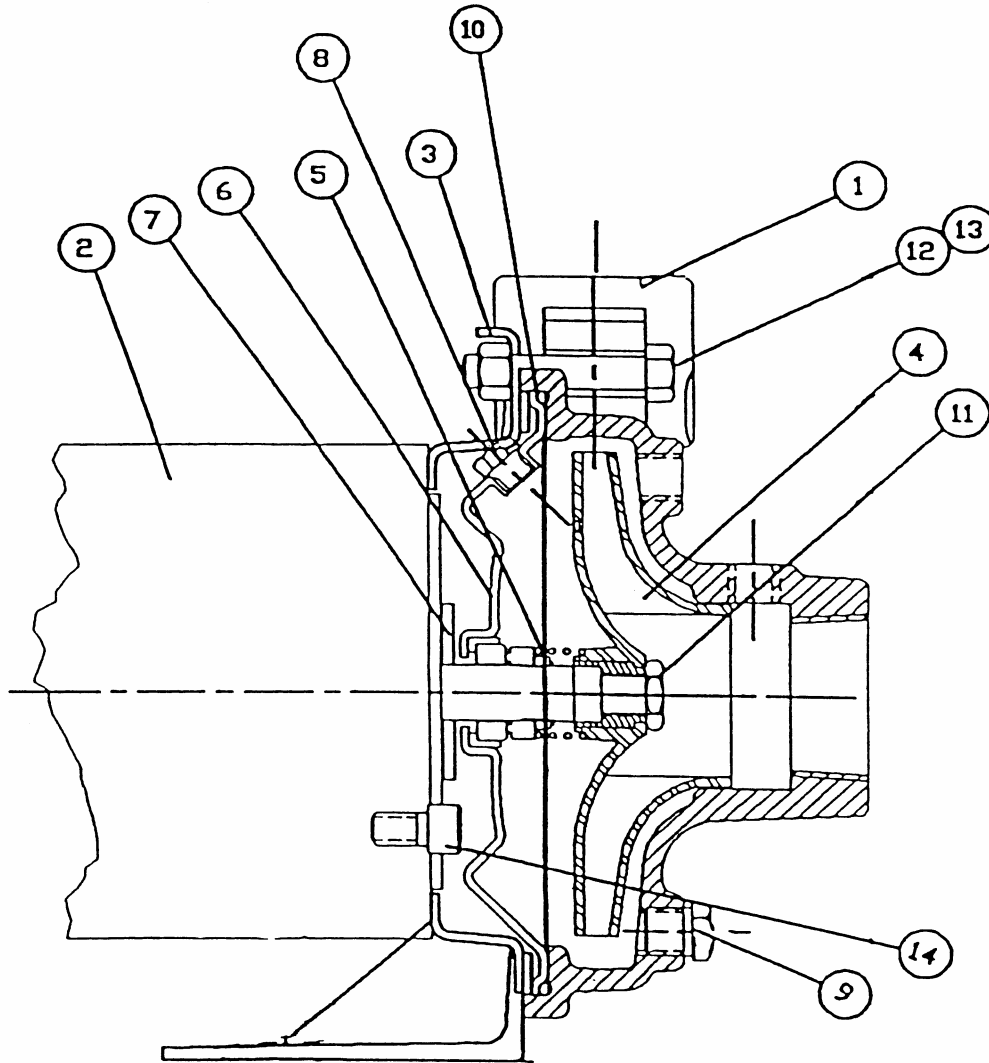
PARTS LIST

SERIES 4270

"CLOSE CLOUPLED"
OR
MOTOR MOUNTED PUMP

TYPICAL SECTION VIEW

SERIES 4270



ITEM NO.	DESCRIPTION	PAGE NO.	ITEM NO.	DESCRIPTION	PAGE NO.
1	CASING	2	9	DRAIN & GAUGE PLUGS	5
2	MOTOR	**	10	CASING "O" RING	4
3	ADAPTER BRACKET	2	11	IMPELLER NUT	5
4	IMPELLER/STOCK IMPELLERS	2/3	12	CASING CAPSCREW	6
5	MECHANICAL SEAL ASSEMBLY	4	13	CASING CAPSCREW NUT	6
6	FACEPLATE	4	14	ADAPTER BRKT. CAPSCREW	6
7	WATER SLINGER	4	***	FLUSH LINE COMPONENTS	7
8	VENT PLUG	5			

MODEL 4270

CLOSE COUPLED / MOTOR MOUNTED PUMP PARTS

ITEM 1 CASING			
PUMP SIZE	MATERIAL	PART NUMBER	BAR CODE
1 1/4 X 1	CAST IRON	410133-011	
1 1/4 X 1	BRONZE	410133-041	
1 1/2 X 1 1/4	CAST IRON	410134-011	
1 1/2 X 1 1/4	BRONZE	410134-041	
2 X 1 1/2	CAST IRON	410135-011	
2 X 1 1/2	BRONZE	410135-041	

ITEM 4 IMPELLER**			
PUMP SIZE	MATERIAL	PART NUMBER	BAR CODE
1 1/4 X 1	PEI RESIN	410133-111	
1 1/4 X 1	BRONZE	410133-141	
1 1/2 X 1 1/4	PEI RESIN	410134-111	
1 1/2 X 1 1/4	BRONZE	410134-141	
2 X 1 1/2	PEI RESIN	410134-111	
2 X 1 1/2	BRONZE	410134-111	

** Impeller Part Numbers are for full or maximum diameter Impellers. Always specify Pump Serial Number and where possible, measure and advise the diameter of the Impeller being replaced on these Pumps. " FOR STOCK IMPELLER DIAMETERS SEE PAGE 3 "

MODEL 4270

CLOSE COUPLED / MOTOR MOUNTED

PUMP PARTS

STOCK PUMP IMPELLER DIAMETERS			
STOCK PUMP SIZE	MATERIAL	IMPELLER DIAMETER	BAR CODE
701	PEI RESIN	3.5"	
701	BRONZE	3.5"	
702	PEI RESIN	3.5"	
702	BRONZE	3.5"	
703	PEI RESIN	4"	
703	BRONZE	4"	
704	PEI RESIN	4.375"	
704	BRONZE	4.375"	
705	PEI RESIN	4.875"	
705	BRONZE	4.875"	
706	PEI RESIN	5"	
706	BRONZE	5"	
707	PEI RESIN	4"	
707	BRONZE	4"	
708	PEI RESIN	4.375"	
708	BRONZE	4.375"	
709	PEI RESIN	4.5"	
709	BRONZE	4.5"	
7010	PEI RESIN	5"	
7010	BRONZE	5"	
7011	PEI RESIN	5.5"	
7011	BRONZE	5.5"	
12-03	ULTEM	3.5"	Discontinued
12-05	ULTEM	3.5"	Discontinued

MODEL 4270

CLOSE COUPLED / MOTOR MOUNTED

PUMP PARTS

STOCK PUMP IMPELLER DIAMETERS			
STOCK PUMP SIZE	MATERIAL	IMPELLER DIAMETER	BAR CODE
12-07	ULTEM	4"	Discontinued
12-10	ULTEM	4.25"	Discontinued
12-15	ULTEM	4.75"	Discontinued
12-20	ULTEM	5"	Discontinued
17-15	ULTEM	4.25"	Discontinued
17-20	ULTEM	4.5"	Discontinued
17-30	ULTEM	5"	Discontinued
17-50	ULTEM	5.5"	Discontinued
61-30	ULTEM	5.5"	Discontinued

MODEL 4270
CLOSE COUPLED / MOTOR MOUNTED
PUMP PARTS

ITEM 3 ADAPTER BRACKET			
PUMP SIZE	MATERIAL	PART NUMBER	BAR CODE
ALL SIZES	DI-CAST ALUMINUM	410133-191	

ITEM 5 MECHANICAL SEAL ASSEMBLY			
PUMP SIZE	MATERIAL	PART NUMBER	BAR CODE
ALL SIZES	304 SS	810134-000	

ITEM 6 FACEPLATE			
PUMP SIZE	MATERIAL	PART NUMBER	BAR CODE
ALL SIZES	304 SS	410133-171	

ITEM 7 WATER SLINGER			
PUMP SIZE	NO. REQ'D	PART NUMBER	BAR CODE
ALL SIZES	1	410133-181	

ITEM 10 CASING "O" RING			
PUMP SIZE	MATERIAL	PART NUMBER	BAR CODE
ALL SIZES	VITON	AS1170-363	

MODEL 4270

CLOSE COUPLED / MOTOR MOUNTED

PUMP PARTS

ITEM 8 VENT PLUG						
PUMP SIZE	CONST.	MATERIAL	SIZE	NO. REQ'D	PART NUMBER	BAR CODE
ALL	ALL	BRONZE	1/8" NPT HEX HD.	1	935105-000	

ITEM 9 DRAIN & GAUGE PLUGS						
PUMP SIZE	CONST.	MATERIAL	SIZE	NO. REQ'D	PART NUMBER	BAR CODE
ALL	A. B.	BRONZE	1/4" NPT HEX HD.	3	935105-001	
ALL	B. F.	GALV.	1/4" NPT HEX HD.	3	935105-100	

ITEM 11 IMPELLER NUT						
PUMP SIZE	CONST.	MATERIAL	SIZE	NO. REQ'D	PART NUMBER	BAR CODE
ALL	ALL	304SS	7/16"-20 NF	1	913522-100	

MODEL 4270

CLOSE COUPLED / MOTOR MOUNTED

PUMP PARTS

ITEM 12 CASING CAPSCREW

PUMP SIZE	CONST.	MATERIAL	SIZE	NO. REQ'D	PART NUMBER	BAR CODE
ALL	ALL	STEEL OILED FINISH	3/8-16NC X2 1/4"	4	911121-118	

ITEM 13 CASING CAPSCREW NUT

PUMP SIZE	CONST.	MATERIAL	SIZE	NO. REQ'D	PART NUMBER	BAR CODE
ALL	ALL	STEEL OILED FINISH	3/8-16NC	3	913521-100	

ITEM 14 ADAPTER BRKT. CAPSCREW

PUMP SIZE	CONST.	MATERIAL	SIZE	NO. REQ'D	PART NUMBER	BAR CODE
ALL	ALL	STEEL UNPLATED	3/8-16NC X5/8" SOCKET. HD.	4	911821-105	

MODEL 4270

CLOSE COUPLED / MOTOR MOUNTED PUMP PARTS

FLUSH LINE COMPONENTS

MALE ELBOW

PUMP SIZE	CONST.	MATERIAL	SIZE	NO. REQ'D	PART NUMBER	BAR CODE
ALL	ALL	BRASS	1/4" TUBE X 1/4" NPT	2	939003-106	

MALE CONNECTOR

PUMP SIZE	CONST.	MATERIAL	SIZE	NO. REQ'D	PART NUMBER	BAR CODE
ALL	ALL	STEEL BRASS FINISH	1/4" TUBE X 1/8" NPT	2	939001-105	

FLUSH LINE TUBING

PUMP SIZE	CONST.	MATERIAL	SIZE	NO. REQ'D	PART NUMBER	BAR CODE
ALL	ALL	COPPER	1/4" OD X 12"	1	997529-003	