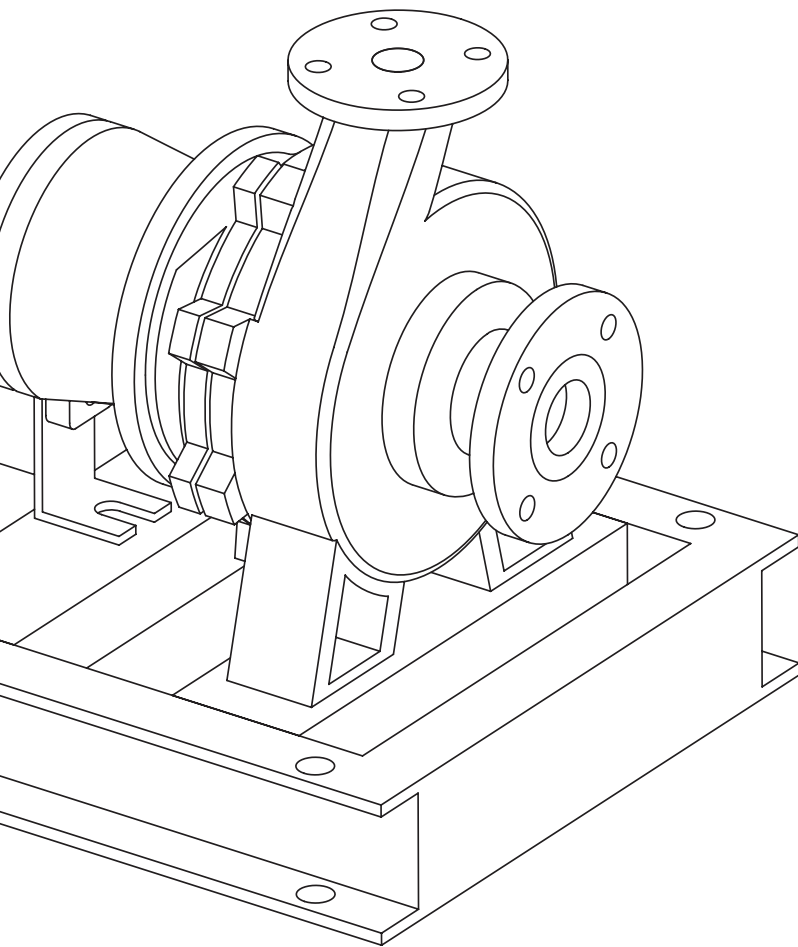


Series 4030 base mounted pumps

Centerline discharge
L designation



Parts list

1⁵/₈" impeller bore
2¹/₈" mechanical seal

File No: 6040.122
Date: NOVEMBER 20, 2015
Supersedes: 6040.122
Date: MAY 31, 2013

4030 BEARING FRAMES UTILIZATION CHART (60 Hz)

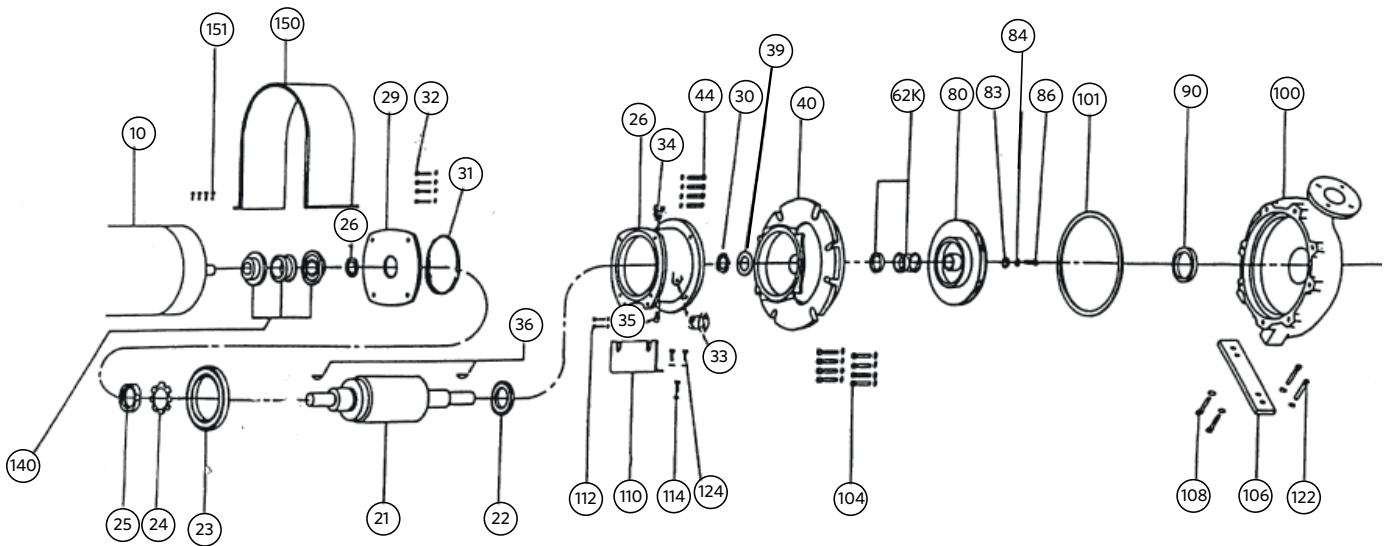
MOTOR HP	1150 RPM			1750 RPM			3500 RPM			MOTOR FRAME SIZE	15	20	25	30	35	40	45	50	60	75	100	125	150	200	250	
	0.5	0.8	1	1.5	2	3	5	7.5	10																	15
1 1/4 J16	S	S	S	S	S	S	S	S	S	—	—	—	—	—	—	—	—	—	—	—	—	—	—	—	—	
3 1/2 x6	S	S	S	S	S	S	S	S	S	—	—	—	—	—	—	—	—	—	—	—	—	—	—	—	—	—
3 x2 x6	S	S	S	S	S	S	S	S	S	—	—	—	—	—	—	—	—	—	—	—	—	—	—	—	—	—
3 x2 1/2 x6	S	S	S	S	S	S	S	S	S	—	—	—	—	—	—	—	—	—	—	—	—	—	—	—	—	—
4 x3 x6	S	S	S	S	S	S	S	S	S	M	M	M	M	M	M	M	M	M	M	M	M	M	M	M	M	M
1 1/2 x1 x8	S	S	S	S	S	S	S	S	S	S	S	S	S	S	S	S	S	S	S	S	S	S	S	S	S	S
3 x1 1/2 x8	S	S	S	S	S	S	S	S	S	S	S	S	S	S	S	S	S	S	S	S	S	S	S	S	S	S
3 x2 x8	S	S	S	S	S	S	S	S	S	S	S	S	S	S	S	S	S	S	S	S	S	S	S	S	S	S
3 x2 1/2 x8	S	S	S	S	S	S	S	S	S	S	M	M	M	M	M	M	M	M	M	M	M	M	M	M	M	M
4 x3 x8	S	S	S	S	S	S	S	S	S	S	M	M	M	M	M	M	M	M	M	M	M	M	M	M	M	M
5 x4 x8	—	S	S	S	S	S	S	S	S	M	M	M	M	M	M	M	M	M	M	M	M	M	M	M	M	M
6 x4 x8	—	S	S	S	S	S	S	S	S	M	M	M	M	M	M	M	M	M	M	M	M	M	M	M	M	M
2 x1 x10	S	S	S	S	S	S	S	S	S	M	M	M	M	M	M	M	M	M	M	M	M	M	M	M	M	M
2 x1 1/2 x10	S	S	S	S	S	S	S	S	S	M	M	M	M	M	M	M	M	M	M	M	M	M	M	M	M	M
3 x1 1/2 x10	—	S	S	S	S	S	S	S	S	M	M	M	M	M	M	M	M	M	M	M	M	M	M	M	M	M
3 x2 x10	—	S	S	S	S	S	S	S	S	M	M	M	M	M	M	M	M	M	M	M	M	M	M	M	M	M
3 x2 1/2 x10	—	S	S	S	S	S	S	S	S	M	M	M	M	M	M	M	M	M	M	M	M	M	M	M	M	M
4 x3 x10	—	—	S	S	S	S	S	S	S	S	S	S	S	S	S	S	S	S	S	S	S	S	S	S	S	S
5 x4 x10	—	—	S	S	S	S	S	S	S	S	S	S	S	S	S	S	S	S	S	S	S	S	S	S	S	S
6 x4 x10	—	—	S	S	S	S	S	S	S	S	S	S	S	S	S	S	S	S	S	S	S	S	S	S	S	S
6 x5 x10	—	—	S	S	S	S	S	S	S	S	S	S	S	S	S	S	S	S	S	S	S	S	S	S	S	S
8 x6 x10	—	—	—	—	—	—	—	—	—	M	M	M	M	M	M	M	M	M	M	M	M	M	M	M	M	M
4 x3 x11 1/2	—	—	S	S	S	S	S	S	S	S	S	S	S	S	S	S	S	S	S	S	S	S	S	S	S	S
5 x4 x11 1/2	—	—	—	—	—	—	—	—	—	S	S	S	S	S	S	S	S	S	S	S	S	S	S	S	S	S
6 x5 x11 1/2	—	—	—	—	—	—	—	—	—	S	S	S	S	S	S	S	S	S	S	S	S	S	S	S	S	S
8 x6 x11 1/2	—	—	—	—	—	—	—	—	—	M	M	M	M	M	M	M	M	M	M	M	M	M	M	M	M	M
3 x1 1/2 x13	—	—	—	—	—	—	—	—	—	M	M	M	M	M	M	M	M	M	M	M	M	M	M	M	M	M
3 x2 x13	—	—	—	—	—	—	—	—	—	M	M	M	M	M	M	M	M	M	M	M	M	M	M	M	M	M
4 x3 x13	—	—	—	—	—	—	—	—	—	M	M	M	M	M	M	M	M	M	M	M	M	M	M	M	M	M
4 x3 x13L	—	—	—	—	—	—	—	—	—	M	M	M	M	M	M	M	M	M	M	M	M	M	M	M	M	M
6 x4 x13	—	—	—	—	—	—	—	—	—	M	M	M	M	M	M	M	M	M	M	M	M	M	M	M	M	M
6 x4 x13H	—	—	—	—	—	—	—	—	—	—	—	—	—	—	—	—	—	—	—	—	—	—	—	—	—	—
6 x5 x13	—	—	—	—	—	—	—	—	—	—	—	—	—	—	—	—	—	—	—	—	—	—	—	—	—	—
6 x5 x13H	—	—	—	—	—	—	—	—	—	—	—	—	—	—	—	—	—	—	—	—	—	—	—	—	—	—
8 x6 x13	—	—	—	—	—	—	—	—	—	M	M	M	M	M	M	M	M	M	M	M	M	M	M	M	M	M
10 x8 x13	—	—	—	—	—	—	—	—	—	—	—	—	—	—	—	—	—	—	—	—	—	—	—	—	—	—
10 x8 x15	—	—	—	—	—	—	—	—	—	—	—	—	—	—	—	—	—	—	—	—	—	—	—	—	—	—
10 x8 x15L	—	—	—	—	—	—	—	—	—	—	—	—	—	—	—	—	—	—	—	—	—	—	—	—	—	—
10 x8 x15L	—	—	—	—	—	—	—	—	—	—	—	—	—	—	—	—	—	—	—	—	—	—	—	—	—	—
10 x8 x15L	—	—	—	—	—	—	—	—	—	—	—	—	—	—	—	—	—	—	—	—	—	—	—	—	—	—
10 x8 x15L	—	—	—	—	—	—	—	—	—	—	—	—	—	—	—	—	—	—	—	—	—	—	—	—	—	—
10 x8 x15L	—	—	—	—	—	—	—	—	—	—	—	—	—	—	—	—	—	—	—	—	—	—	—	—	—	—
10 x8 x15L	—	—	—	—	—	—	—	—	—	—	—	—	—	—	—	—	—	—	—	—	—	—	—	—	—	—

LEGEND	DESCRIPTION	IMPELLER BORE	MECHANICAL SEAL SIZE	LUBRICATION	LUBE OPTIONS
S	Small bearing frame	7/8" (0.875")	1 1/4" (1.25")	Permanently greased	Regrease, oil
M	Medium bearing frame	1 1/4" (1.25")	1 5/8" (1.625")	Permanently greased	Regrease, oil
MHD*	Medium heavy-duty bearing frame	1 1/4" (1.25")	1 5/8" (1.625")	Re-greasable	Oil
L	Large bearing frame	1 5/8" (1.625")	2 1/8" (2.125")	Oil	—

NOTE: *When replacing old m oil - lubricated bearing frames, update with new design MHD bearing frame with double row bearings.

L SIZE

Exploded view - oil lubrication



INDEX

ITEM	DESCRIPTION	PAGE
**	Bearing frame assembly Std.	6
**	Bearing frame assembly s/s	8
21	Shaft assembly	6 & 8
22	Ball bearing (inboard)	6 & 8
23	Ball bearing (outboard)	6 & 8
24	Lockwasher	6 & 8
25	Locknut	6 & 8
26	Bearing frame	6 & 8
28	Oil seal (outboard)	6 & 8
29	Bearing cover	6 & 8
30	Oil seal (inboard)	7 & 8
31	O ring	6 - 8
32	Bearing cover capscrew	7 - 8
33	Oil view gauge	7 & 8
34	Vent fitting	7 & 8
35	Pipe plug	7 & 8
36	Impeller coupler key	7 & 8
39	Water slinger	7 & 8

ITEM	DESCRIPTION	PAGE
40	Adapter	6
42	Outboard bearing cover	7 & 8
43	Outbrd brg cover screws & washers	7 & 8
44	Bearing Housing capscrew	6
62	Mechanical seal assembly	7 & 9
80	Impeller	5
83	Impeller washer	7 & 9
86	Impeller capscrew	7 & 9
100	Casing	5
101	Casing gasket	6
104	Casing capscrew	5
110	Bearing frame support foot	7 & 9
112	Bearing frame support foot capscrew (upper)	7 & 9
114	Bearing frame support foot adjusting screw	7 & 9
114	Jam nut	7 & 9
124	Bearing frame support capscrews (lower)	7 & 9
140	Coupler	10 & 11

ITEM 100: CASING

PUMP SIZE	PRESSURE RATING (LB)	CONSTRUCTION	PART NUMBER
10×8×13	125	Bronze fitted & all iron	427342-011
	250	Ductile iron	427342-031
	250	All bronze	427342-041
8×6×15	125	Bronze fitted & all iron	427229-011
	250	Ductile iron	427230-031
	125	All bronze	427230-041
10×8×15	125	Bronze fitted & all iron	427232-011
	250	Ductile iron	427233-031
	125	All bronze	427233-041

ITEM 80: IMPELLER*

PUMP SIZE	CONSTRUCTION**	PART NUMBER
10×8×13	Bronze fitted & all bronze	427333-041
	All iron	427333-011
8×6×15	Bronze fitted & all bronze	427214-041
	All iron	427214-011
10×8×15	Bronze fitted & all bronze	427217-041
	All iron	427217-031

NOTE:

* Impeller part numbers are for unbalanced, full diameter impellers. Always specify the Pump serial number. If possible, measure the diameter of the impeller being replaced.

** B. F. Denotes "Bronze Fitted" construction. Parts in contact with the pumped liquid are bronze or copper, except casing and adapter.

A. I. Denotes "All Iron" construction. Parts in contact with the pumped liquid are cast iron or steel, except shaft sleeve & mechanical seal.

ITEM 104: CASING CAPSCREW & WASHER

PUMP SIZE	NUMBER REQUIRED	SIZE	PART NUMBER
10×8×13	16	CAPSCREW 5/8-11NC × 1½" LG	911129-112
	16	WASHER 5/8-11NC STL - FLAT	927121-100
8×6×15 10×8×15	16	CAPSCREW 5/8-11NC × 1¾" LG	911129-116
	16	WASHER 5/8-11NC STL - FLAT	927121-100

ITEM 40: ADAPTER

PUMP SIZE	CONSTRUCTION	PART NUMBER
10×8×13	Bronze fitted & all bronze	427350-011
	Ductile iron	427350-031
8×6×15 10×8×15	Bronze fitted & all bronze	426776-011
	Ductile iron	426776-031

ITEM 101: CASING GASKET

PUMP SIZE	DIMENSIONS O.D. × I.D. × THICKNESS	PART NUMBER
10×8×13	14" × 13¾" × ⅛"	426401-005
8×6×15 10×8×15	16⅜" × 15⅝" × ⅛"	426401-008

ITEM 44: BEARING HOUSING CAPSCREW & WASHER

PUMP SIZE	NUMBER REQUIRED	SIZE	PART NUMBER
10×8×13 8×6×15	4	CAPSCREW ½" - 13NC X 1¼" LG	911125-110
10×8×15	4	WASHER ½" - 13NC STL- FLAT	927117-100

BEARING FRAME ASSEMBLY

Steel shaft, oil lubricated

ITEM NUMBER	DESCRIPTION	PART NUMBER
	Bearing frame assembly ^①	426775-000
26	Bearing housing	426492-016
21	Shaft & sleeve assembly	427241-001
22	Inboard bearing	971101-922
23	Outboard bearing	971101-923
24	Lockwasher	426364-003
25	Locknut	426364-004
29	Outboard bearing cover	426502-513
28	Outboard oil seal	965001-190
31	Outboard bearing cover O ring	961131-249

BEARING FRAME ASSEMBLY (continued)

Steel shaft, oil lubricated

ITEM NUMBER	DESCRIPTION	PART NUMBER
42	Inboard bearing cover	426507-515
43	Inboard bearing cover screw 3 req'd. #10-24x ⁷ / ₁₆ "	916364-107
43	Inboard bearing cover screw wash. 3 req'd. #10 steel	926156-100
30	Inboard oil seal	965002-010
31	Inboard bearing cover O ring	961131-249
32	Bearing capscrews ³ / ₈ - 16NC x 1 ¹ / ₄ " LG (4 req'd)	911121-110
33	Oil view gauge	970224-001
34	Air vent	407444-000
35	Pipe plug ¹ / ₄ " NPT (1 req'd)	937105-201
36	Impeller key	428163-714
36	Coupler key	428163-718
39	Water slinger	419315-001

NOTE :

① Items 21 to 39 inclusive are included in the bearing frame assembly.

COMMON PARTS

ITEM NUMBER	DESCRIPTION	PART NUMBER BF & AI
62	Mechanical seal assembly	975000-985**
83	Impeller washer	425742-100
86	s/s impeller capscrew	911900-180
110	Support foot	426361-001
112	Support foot capscrew upper ¹ / ₂ " -13NC X 1" LG. (1 req'd)	911129-108
112	Support foot capscrew washer upper ¹ / ₂ " SAE (1 req'd)	927117-100
114	Support foot jackscrew ¹ / ₂ " -13NC X 1 ³ / ₄ " LG. (1 req'd)	911129-114
114	Jackscrew nut ¹ / ₂ " -13NC JAM NUT (1 req'd)	913125-100
124	Support foot capscrew lower ¹ / ₂ " -13NC X 1 ¹ / ₂ " LG.	911125-112
124	Support foot capscrew washer lower ¹ / ₂ " - FLAT	927118-100

** For liquids above 200°F/93°C use 9975001-873 (-673 if potable drinking water above 200°F/93°C)
For glycols above 30% by weight use 9975001-877 (-878 if above 200°F/93°C)

BEARING FRAME ASSEMBLY

Stainless steel shaft, oil lubricated

ITEM NUMBER	DESCRIPTION	PART NUMBER
	Bearing frame assembly ①	426775-071
26	Bearing housing	426492-016
21	Shaft & sleeve assembly	427241-071
22	Inboard bearing	971101-922
23	Outboard bearing	971101-923
24	Lockwasher	426364-003
25	Locknut	426364-004
29	Outboard bearing cover	426502-513
28	Outboard oil seal	965001-190
31	Outboard bearing cover O ring	961131-249
42	Inboard bearing cover	426507-515
43	Inboard bearing cover screw 3 req'd. #10-24x7/16"	916364-107
43	Inboard bearing cover screw wash. 3 req'd. #10 steel	926156-100
30	Inboard oil seal	965002-010
31	Inboard bearing cover O ring	961131-249
32	Bearing capscrews 3/8 - 16NC x 1 1/4" LG (4 req'd)	911121-110
33	Oil view gauge	970224-001
34	Air vent	407444-000
35	Pipe plug 1/4" NPT (1 req'd)	937105-201
36	Impeller key	428163-714
36	Coupler key	428163-718
39	Water slinger	419315-001

NOTE :

① Items 21 to 39 inclusive are included in the bearing frame assembly.

FOR COMMON PARTS SEE PAGE 9

COMMON PARTS

ITEM NUMBER	DESCRIPTION	PART NUMBER BF & AI
62	Mechanical seal assembly	975000-985**
83	Impeller washer	425742-100
86	s/s impeller capscrew	911900-180
110	Support foot	426361-001
112	Support foot capscrew upper ½"-13NC X 1" LG. (1 req'd)	911129-108
112	Support foot capscrew washer upper ½" SAE (1 req'd)	927117-100
114	Support foot jackscrew ½"-13NC X 1¾" LG. (1 req'd)	911129-114
114	Jackscrew nut ½"-13NC JAM NUT (1 req'd)	913125-100
124	Support foot capscrew lower ½"-13NC X 1½" LG.	911125-112
124	Support foot capscrew washer lower ½"- FLAT	927118-100

** For liquids above 200°F/93°C use 9975001-873 (-673 if potable drinking water above 200°F/93°C)
For glycols above 30% by weight use 9975001-877 (-878 if above 200°F/93°C)

COUPLER HALF SELECTION TABLE

MOTOR FRAME SIZE	MOTOR FLANGE BORE PUMP	FLANGE PART NUMBER	WOODS SIZE
284TS-286TS	1 $\frac{5}{8}$ "	975000-880	11S
	×		
	1 $\frac{5}{8}$ "	975000-880	11S
284T-286T 324TS-326TS 364TS-365TS	1 $\frac{7}{8}$ "	975000-881	11S
	×		
	1 $\frac{5}{8}$ "	975000-880	11S
324T-326T 404TS-405TS	2 $\frac{1}{8}$ "	975000-882	11S
	×		
	1 $\frac{5}{8}$ "	975000-880	11S
364T-365T	2 $\frac{3}{8}$ "	975000-883	11S
	×		
	1 $\frac{5}{8}$ "	975000-880	11S
444TS-445TS 447TS	2 $\frac{3}{8}$ "	975000-885	10S
	×		
	1 $\frac{5}{8}$ "	975000-884	10S
404T-405T	2 $\frac{7}{8}$ "	975000-886	10S
	×		
	1 $\frac{5}{8}$ "	975000-884	10S
444T-445T 447T-448T	3 $\frac{3}{8}$ "	975000-887	10S
	×		
	1 $\frac{5}{8}$ "	975000-884	10S

COUPLER INSERT SELECTION TABLE (WOODS TYPE)

COUPLER INSERT SIZE	MOTOR FRAME SIZE	INSERT NUMBER	PART NUMBER
11S	284T-286T	11E	975000-809
	324T-326T		
	324TS-326TS		
	364T-365T		
	364TS-365TS		
10S	404TS-405TS	10H	975000-808
	404T-405T		
	444T-445T		
	444TS-445TS		
	447T-449T		
	447TS		

TORONTO

23 BERTRAND AVENUE
TORONTO, ONTARIO
CANADA
M1L 2P3
+1 416 755 2291

BUFFALO

93 EAST AVENUE
NORTH TONAWANDA, NEW YORK
U.S.A.
14120-6594
+1 716 693 8813

BIRMINGHAM

HEYWOOD WHARF, MUCKLOW HILL
HALESOWEN, WEST MIDLANDS
UNITED KINGDOM
B62 8DJ
+44 (0) 8444 145 145

MANCHESTER

WOLVERTON STREET
MANCHESTER
UNITED KINGDOM
M11 2ET
+44 (0) 8444 145 145

BANGALORE

#59, FIRST FLOOR, 3RD MAIN
MARGOSA ROAD, MALLESWARAM
BANGALORE, INDIA
560 003
+91 (0) 80 4906 3555

SHANGHAI

NO. 1619 HU HANG ROAD, XI DU TOWNSHIP
FENG XIAN DISTRICT, SHANGHAI
P.R.C.
201401
+86 21 3756 6696

SÃO PAULO

RUA JOSÉ SEMIÃO RODRIGUES AGOSTINHO,
1370 GALPÃO 6
EMBU DAS ARTES
SAO PAULO, BRAZIL
+55 11 4781 5500

ARMSTRONG FLUID TECHNOLOGY
ESTABLISHED 1934

ARMSTRONGFLUIDTECHNOLOGY.COM

**MAKING
ENERGY
MAKE
SENSE™**