

SERIES 1050 | IN-LINE CIRCULATORS 1B AND 1.25B | SUBMITTAL

File No: 10.52
 Date: MARCH 03, 2017
 Supersedes: 10.52
 Date: DECEMBER 16, 1991

Job: _____ Representative: _____
 _____ Order no.: _____ Date: _____
 Engineer: _____ Submitted by: _____ Date: _____
 Contractor: _____ Approved by: _____ Date: _____

PUMP DESIGN DATA

Pump model: _____ Flange size: _____
 No. of pumps: _____ Note: _____
 Capacity: _____ USgpm (L/s) Temperature: _____ °F (°C)
 Head: _____ ft (m) Liquid: _____
 Companion flanges: Included
 All Bronze Circulators are NSF - 372 rated

MAXIMUM PUMP OPERATING CONDITIONS

175 psig at 225°F (1208 kPa at 107°C)

MOTOR DESIGN DATA

HP: _____ kW: _____ RPM: 1750
 Frame size: _____ Enclosure: _____
 Volts: _____ Hertz: _____ Phase: _____

OPTIONAL EQUIPMENT

See performance curves on page 3.

MATERIALS OF CONSTRUCTION

PART NAME	BRONZE FITTED	LEAD FREE BRONZE
Pump body	Cast iron	Lead free bronze

Impeller: Non-ferrous

Shaft: Alloy steel-copper sleeve

Stationary seal face: ARMSeal ceramic

Coupler: Flexible, spacer type

Bearings: Sleeve-oil lubricated

Seal: Mechanical

Motor: 1800 RPM - resilient mount

Single phase - ¼ and ½ HP - resilient mount

Single or Three phase - ½ and 1 HP - resilient mounted

Three phase - ¼ and ½ HP - rigid mount

PUMP AND MOTOR DATA

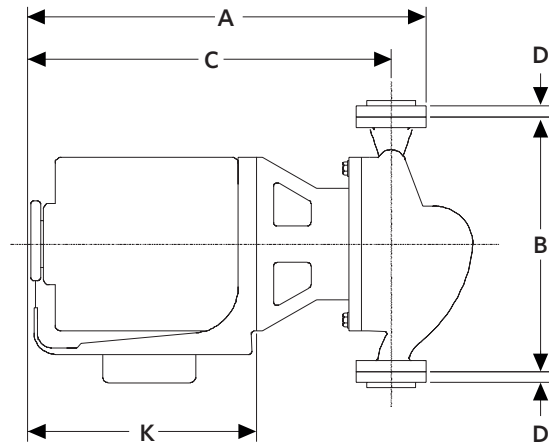
PUMP SIZE	MOTOR	DIMENSIONS INCHES (mm)			SHIPPING WEIGHT
	HP	A	C	K	lbs (kg)
1B	¼	17.25 (438)	13.50 (343)	7.38 (187)	48 (22)
	⅓	17.25 (438)	13.50 (343)	7.38 (187)	48 (22)
1.25B	¼	17.25 (438)	13.50 (343)	7.38 (187)	48 (22)
	⅓	17.25 (438)	13.50 (343)	7.38 (187)	48 (22)
	½	19.75 (502)	16.00 (406)	9.88 (251)	58 (26)

PUMP BODY DIMENSIONS

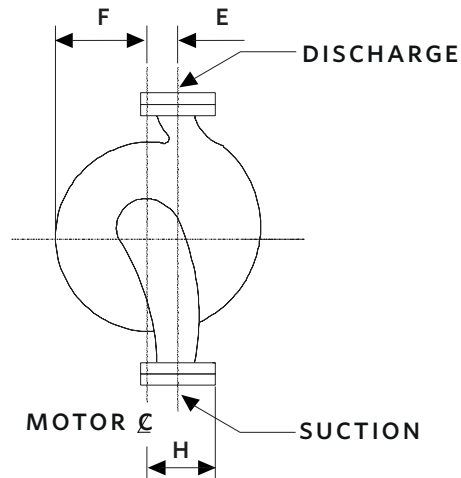
PUMP SIZE	FLANGE SIZE	DIMENSIONS INCHES (mm)				
		B	D	E	F	H
1B	1	11.50 (292)	0.75 (19)	1.38 (35)	3.75 (95)	4.13 (105)
1.25B	1.25	11.50 (292)	0.87 (22)	1.38 (35)	3.75 (95)	4.13 (105)

NOTE:

- Dimensions shown are for reference only.
- Rotation viewed from motor end is clockwise.
- Tapped openings are provided in the pump body for venting and gauge connections.

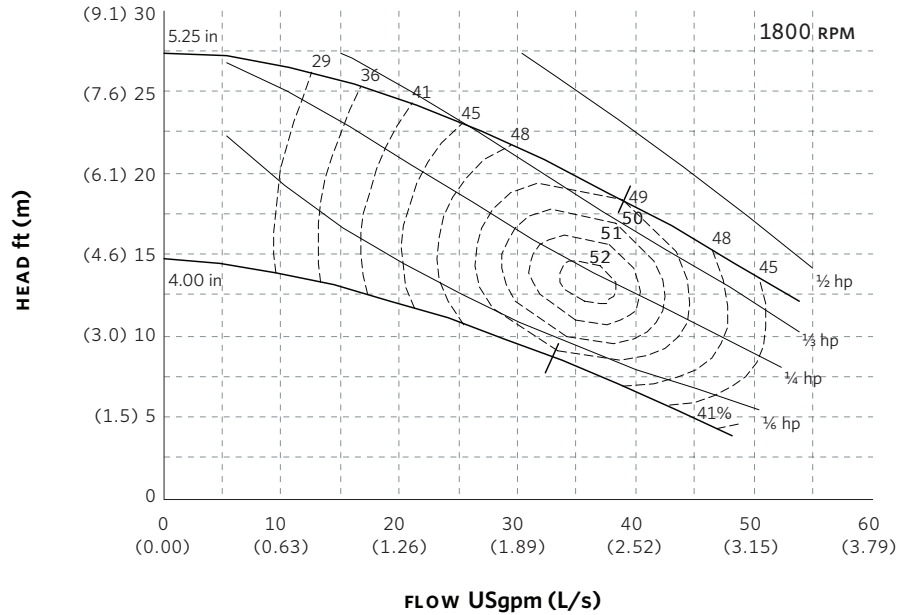
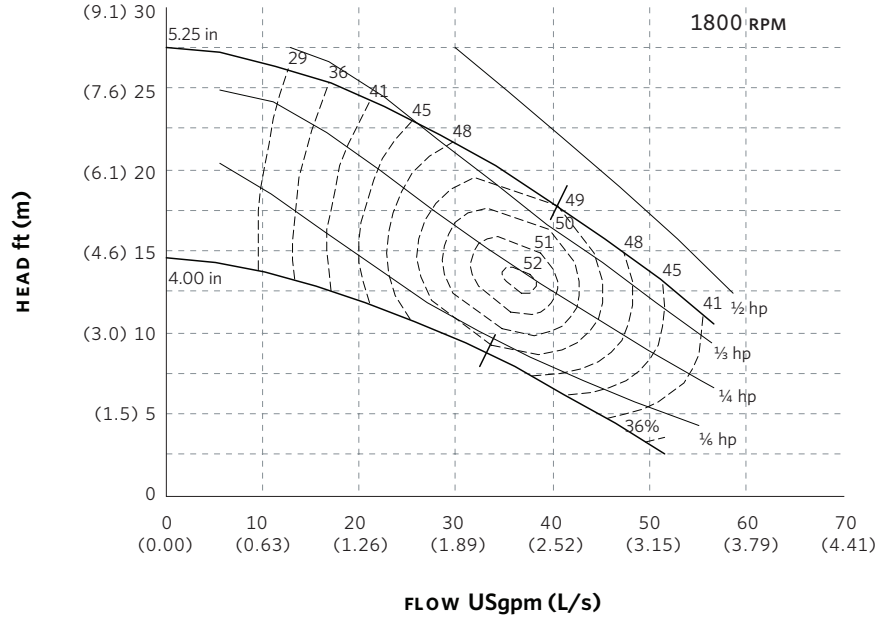


RESILIENT MOUNT



END VIEW

SERIES 1050 PERFORMANCE CURVES



Performance curves are for reference only.
Confirm current performance data with Armstrong ACE ONLINE selection software.

TORONTO

23 BERTRAND AVENUE
TORONTO, ONTARIO
CANADA
M1L 2P3
+1 416 755 2291

BUFFALO

93 EAST AVENUE
NORTH TONAWANDA, NEW YORK
U.S.A.
14120-6594
+1 716 693 8813

BIRMINGHAM

HEYWOOD WHARF, MUCKLOW HILL
HALESOWEN, WEST MIDLANDS
UNITED KINGDOM
B62 8DJ
+44 (0) 8444 145 145

MANCHESTER

WOLVERTON STREET
MANCHESTER
UNITED KINGDOM
M11 2ET
+44 (0) 8444 145 145

BANGALORE

#59, FIRST FLOOR, 3RD MAIN
MARGOSA ROAD, MALLESWARAM
BANGALORE, INDIA
560 003
+91 (0) 80 4906 3555

SHANGHAI

NO. 1619 HU HANG ROAD, XI DU TOWNSHIP
FENG XIAN DISTRICT, SHANGHAI
P.R.C.
201401
+86 21 3756 6696

SÃO PAULO

RUA JOSÉ SEMIÃO RODRIGUES AGOSTINHO,
1370 GALPÃO 6
EMBU DAS ARTES
SAO PAULO, BRAZIL
+55 11 4781 5500

ARMSTRONG FLUID TECHNOLOGY
ESTABLISHED 1934

ARMSTRONGFLUIDTECHNOLOGY.COM

MAKING
ENERGY
MAKE
SENSE™