

---

# Design Envelope Vertical In-line Pumping Unit

---

## Parts list

File No: 6094.110  
Date: MARCH 24, 2017  
Supersedes: NEW  
Date: NEW

---

---

—

—

—

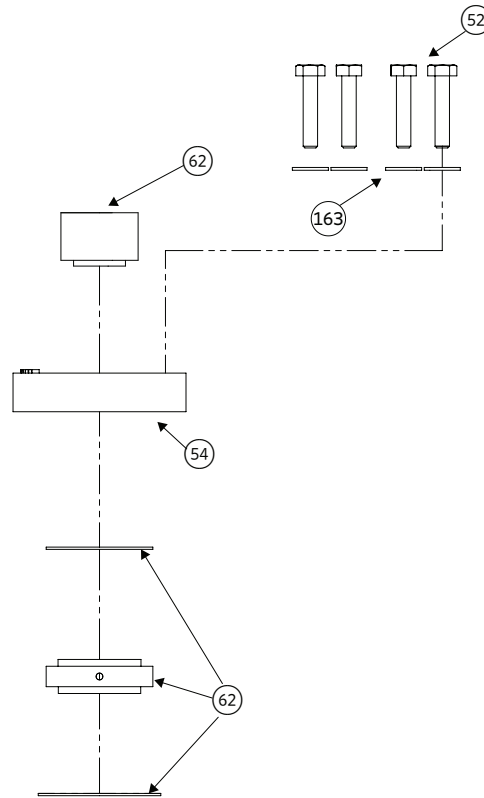
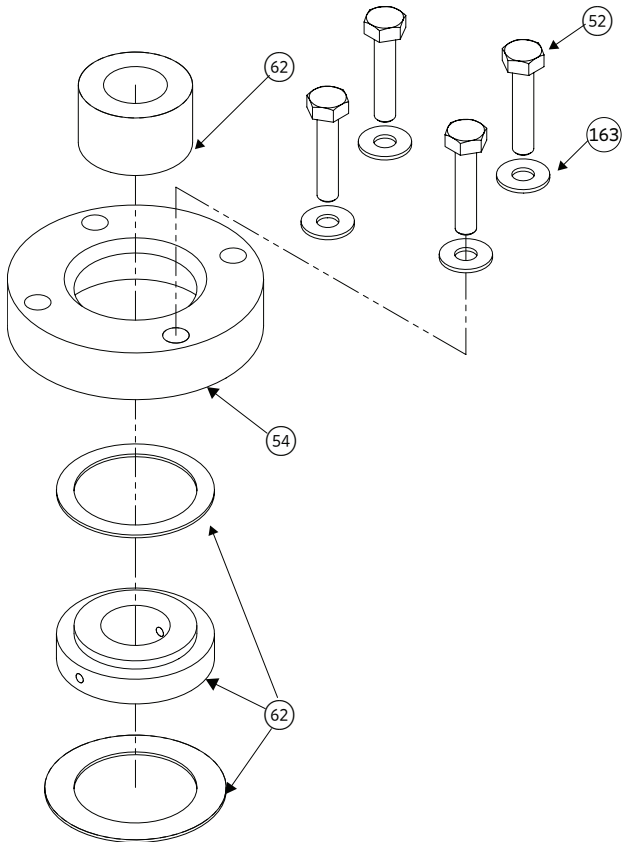
—

# CONTENTS

4300 Part list	4
4380 Part list	5
Blanking Plate Kit	6
DEPC Assembly	6

**SPLIT-COUPLED VERTICAL IN-LINE**

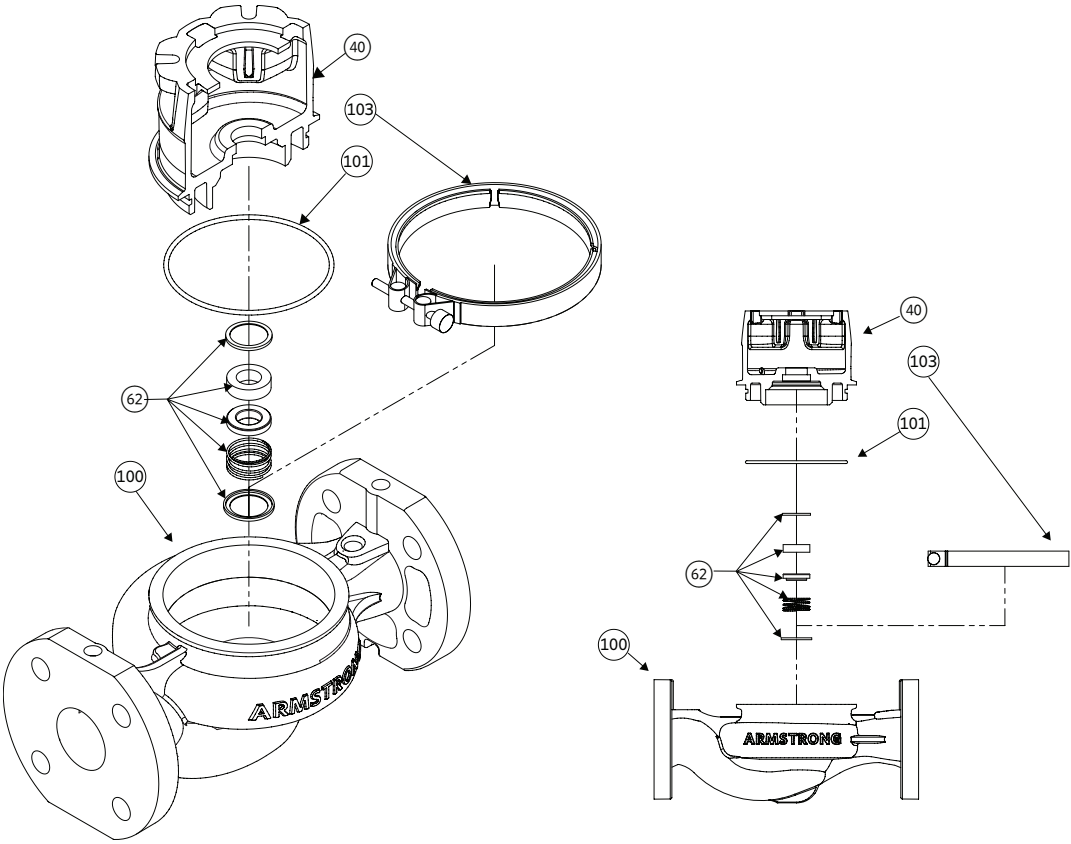
Design Envelope 4300 Outside Seal



ITEM	DESCRIPTION
(52)	Seal Cover Capscrew
(54)	Seal Cover
(62)	Outside Mechanical Seal John Crane STD
(62)	Outside Mechanical Seal John Crane TC
(62)	Outside Mechanical Seal Duramettalic STD
(62)	Outside Mechanical Seal Duramettalic TC
(163)	Seal Cover Capscrew Washer

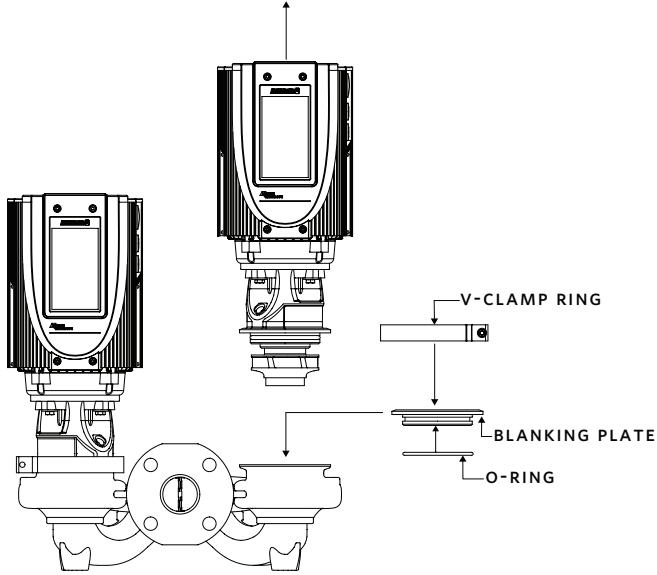
**CLOSE-COUPLED VERTICAL IN-LINE**

Design Envelope 4380



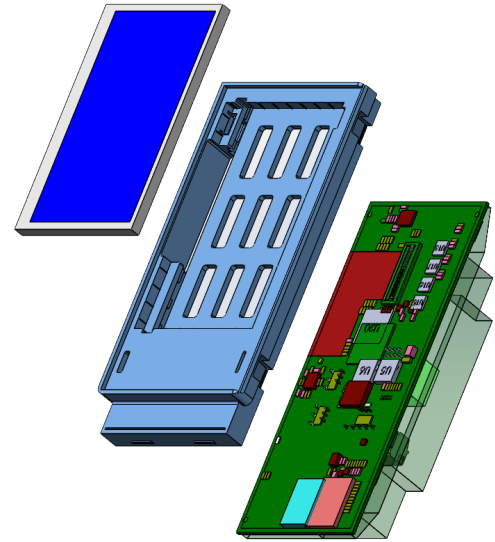
ITEM	DESCRIPTION
40	Adapter
62	Mechanical Seal Kit
100	Casing
101	Casing Gasket
103	V-Clamp Ring

**BLANKING PLATE KIT PARTS LIST**



ITEM	DESCRIPTION	PART NUMBER 3"	PART NUMBER 5"
①	V-Clamp Ring	945800-810	945800-814
②	Blanking Plate	427804-0331	427804-0531
③	O-Ring	961111-232	96111-248

**DEPC ASSEMBLY PARTS LIST**



ITEM	DESCRIPTION	PART NUMBER
①	DEPC Controller	428600-001
②	DEPC Holder	428602-071
③	LCP Screen	428601-071

TORONTO  
+1 416 755 2291

BUFFALO  
+1 716 693 8813

BIRMINGHAM  
+44 (0) 8444 145 145

MANCHESTER  
+44 (0) 8444 145 145

BANGALORE  
+91 (0) 80 4906 3555

SHANGHAI  
+86 21 3756 6696

SÃO PAULO  
+55 11 4781 5500